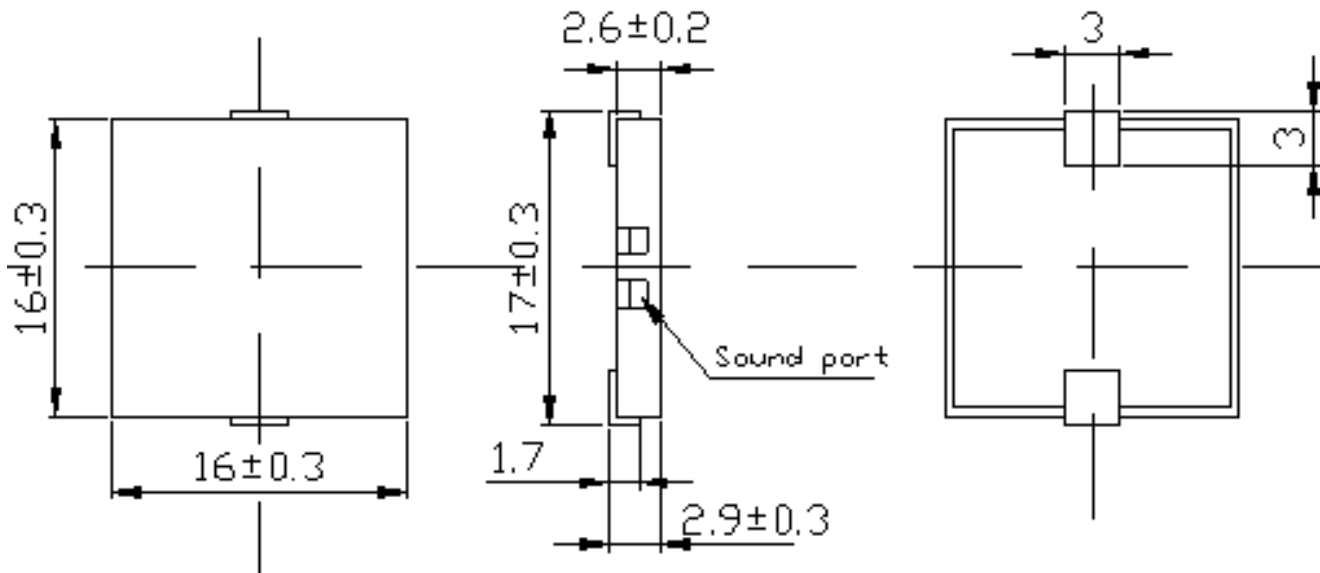


Specifications:

Resonant Frequency (Hz)	4000 ± 500
Operating Voltage (Vp-p)	1 ~ 25
Rated Voltage (Vp-p)	3.0
Current Consumption (mA/max)	5 at Rated Voltage
Sound Pressure Level Min. (dB)	75 at 10cm at Rated Voltage
Capacitance (pF)	16,000 ± 30% at 120 Hz
Operating Temperature (°C)	-40 ~ +85
Storage Temperature (°C)	-40 ~ +85
Housing	PPS Plastic Resin (Color : Black)
Weight (Grams)	1.2
Condition by reflow soldering (°C)	245 ± 5°C / 1 min
Condition by hand soldering (°C)	350 ± 20°C / within 5 sec
Options	For other options contact factory

Dimensions: (units: mm)**ROHS Compliant****Packaging:**

Parts are supplied on Cut-Tape.

Units do not come with wash label and are not appropriate for aqueous wash.

Direct Drive Transducer Operation:

Direct drive transducer devices do not have any included DC circuitry, so the user must apply a sine or square wave with the appropriate rated frequency. A square wave will typically result in more sound level than a sine wave. The higher the peak-to-peak voltage applied (up to the maximum rated voltage), the higher the resulting sound level.

Frequency Response:

