

# ZMS Series Subminiature Snap-acting Switches (IP65)

## Features/Benefits

- **Reliable snap-acting mechanism**
- **Long electrical and mechanical life**
- **Compact size—Ideal when space is limited**
- **Various PCB terminals and actuators**
- **RoHS compatible**
- **IP67 with potted wires only**

## Typical Applications

- **PCB detection switch**
- **Communication devices**
- **Testing equipment**
- **Security/Alarm systems**
- **Consumer electronics**



UL61058-1  
UL1054



## Specifications

CONTACT RATING: 3A@ 125 V AC/ 3A@ 12 V DC, 0.01A @ 12 V DC  
ELECTRICAL LIFE: 100,000 cycles @ 0.01A 12V DC  
100,000 cycles @ 3A 12 V DC  
6,000 cycles @ 3A 125 V AC  
MECHANICAL LIFE: 500,000 cycles  
INSULATION RESISTANCE: 100 M ohm min.  
DIELECTRIC STRENGTH: 500 Vrms.  
OPERATING TEMPERATURE: -40°C + 85°C.  
OPERATING FORCE: 130 grams.

\* Low Level=conditions where no arcing occurs during switching, i.e., 0.4 VA max.  
@ 20 V AC or DC max.

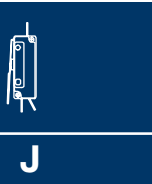
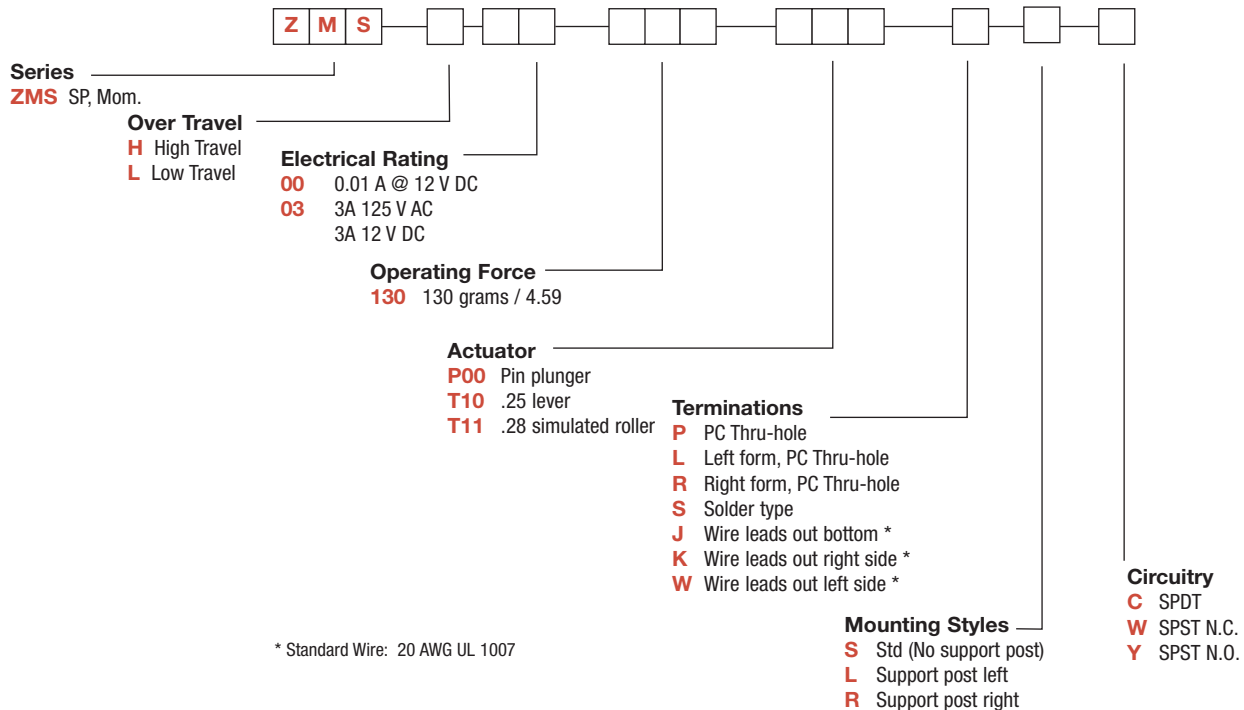
## Materials

CASE: Nylon  
COVER/ACTUATOR: PBT  
MOVABLE CONTACTS: 3 Amp silver alloy, 0.01A gold plating over silver alloy  
STATIONARY CONTACTS: 3 Amp silver alloy, 0.01 A gold plating over silver alloy  
TERMINALS: Brass, silver plated  
LEVER: Stainless steel

**NOTE:** Specifications and materials listed above are for switches with standard options. For information on specific and custom switches, consult Customer Service Center.

## Build-A-Switch

To order, simply select desired option from each category and place in the appropriate box. Available options are shown and described on pages J-58 through J-60. For additional options not shown in catalog, consult Customer Service Center.



Snap-acting



Dimensions are shown: Inches (mm)  
Specifications and dimensions subject to change

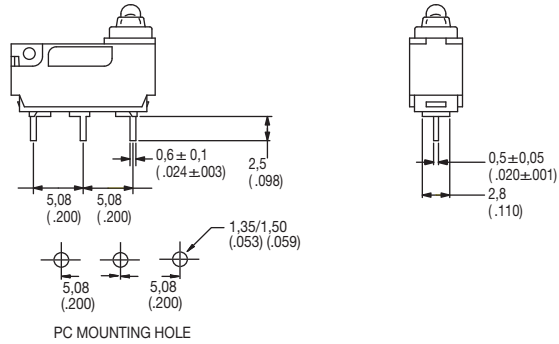




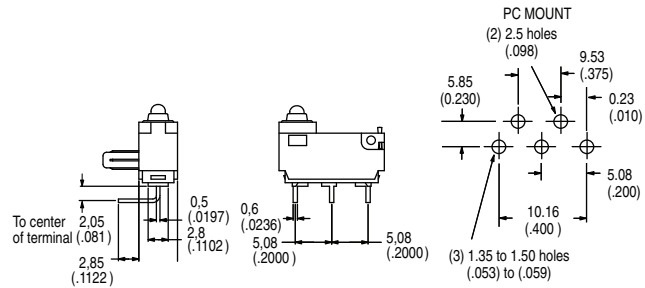
# ZMS Series Subminiature Snap-acting Switches (IP65)

## TERMINATIONS

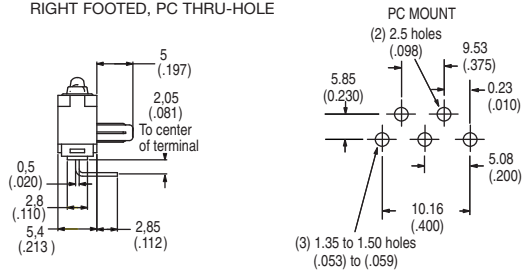
**P** PC THRU-HOLE



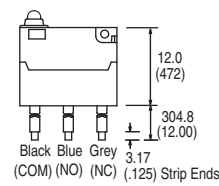
**L** LEFT FOOTED, PC THRU-HOLE



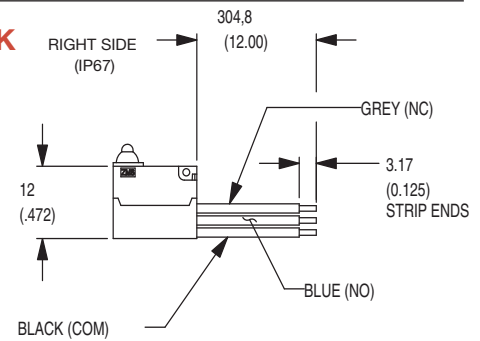
**R** RIGHT FOOTED, PC THRU-HOLE



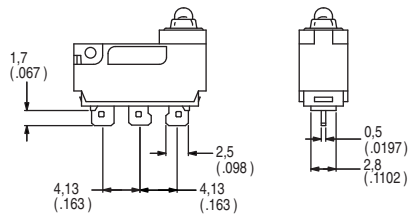
**J** WIRE LEADS BOTTOM (IP67)



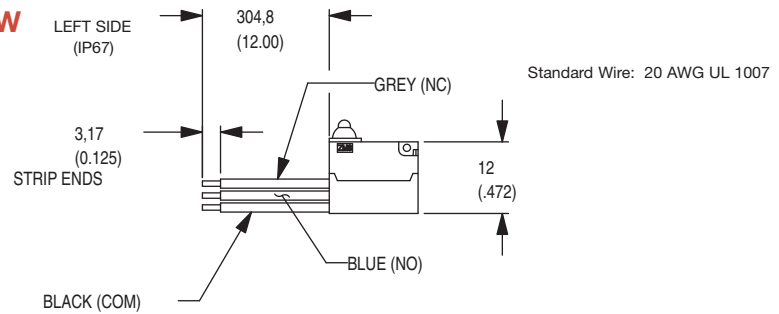
**K** RIGHT SIDE (IP67)



**S** SOLDER TYPE

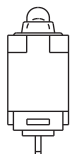


**W** LEFT SIDE (IP67)

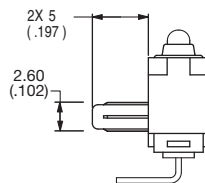


## MOUNTING STYLES

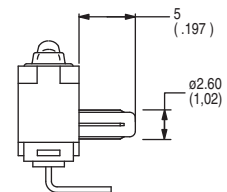
**S** STD (NO SUPPORT POST)



**L** SUPPORT POST LEFT



**R** SUPPORT POST RIGHT



## CIRCUITRY

**C** SPDT (Single Pole, Double Throw)

**W** SPST, NC (Single Pole, Single Throw, Normally Closed)

**Y** SPST, NO (Single Pole, Single Throw, Normally Open)



Third Angle  
Projection

Dimensions are shown: mm (inch)  
Specifications and dimensions subject to change

