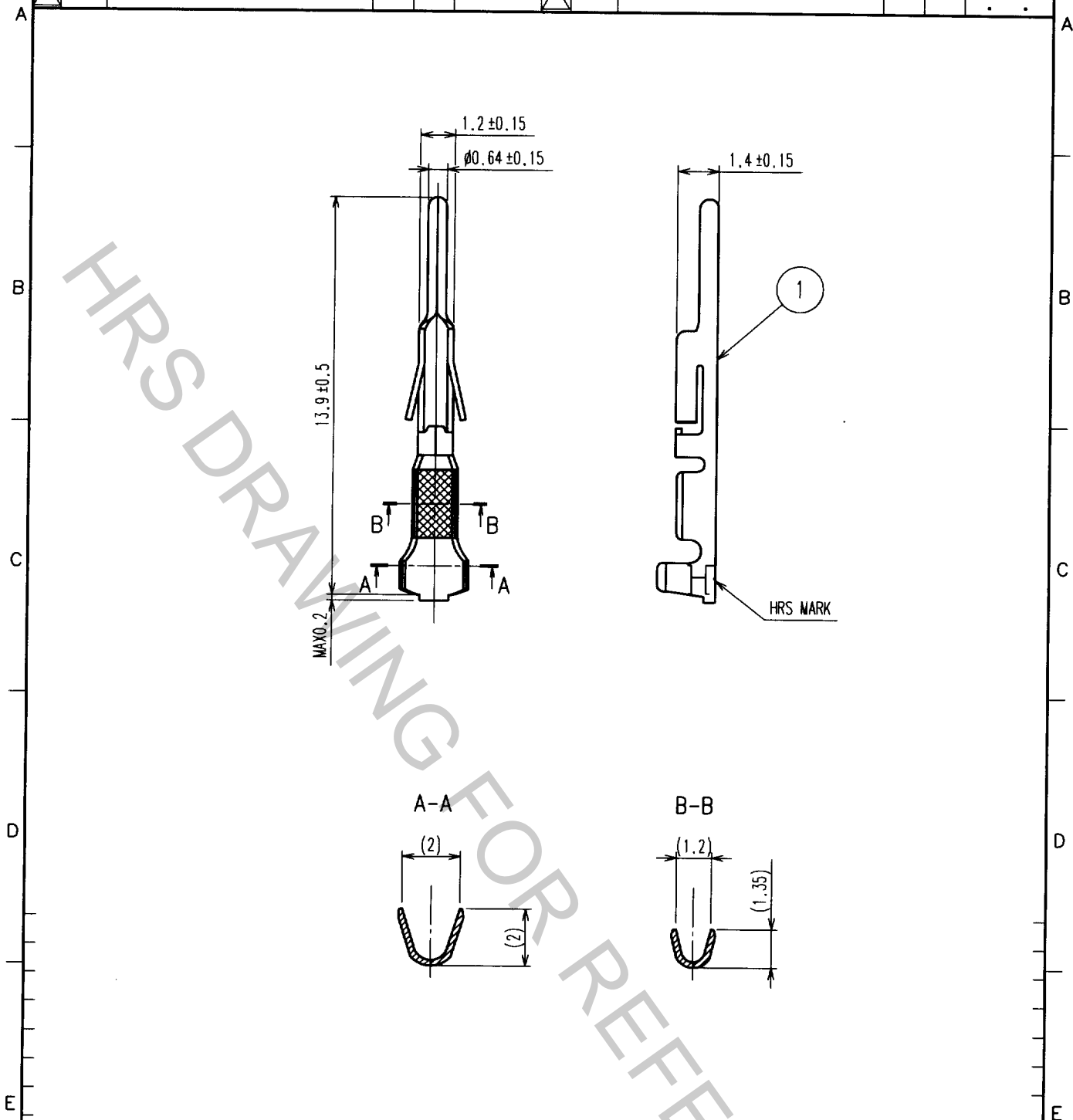


1		2			3			4		
COUNT	DESCRIPTION OF REVISIONS	BY	CHKD	DATE	COUNT	DESCRIPTION OF REVISIONS	BY	CHKD	DATE	
△					△					
△					△					
△					△					



NOTE 1. APPLICABLE CABLE : AWG24 TO 28

NO.	MATERIAL	FINISH, REMARKS
1	PHOSPHOR BRONZE	TIN PLATED

CODE NO. (OLD) CL		DRAWN J. NAKAMURA 01.05.16	DESIGNED <i>Y. Inoue</i> '01.05.16	CHECKED <i>K. Katayama</i> '01.5.17	APPROVED <i>K. Katayama</i> '01.5.17	RELEASED
DRAWING NO. EDC4-021363		PART NO. DF1B-2428PC				
UNITS mm		CODE NO. CL541-0665-0			1 1	

TO