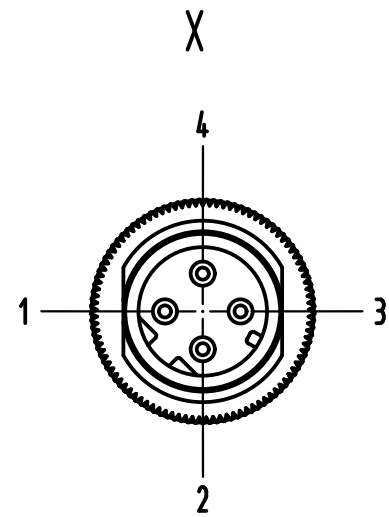
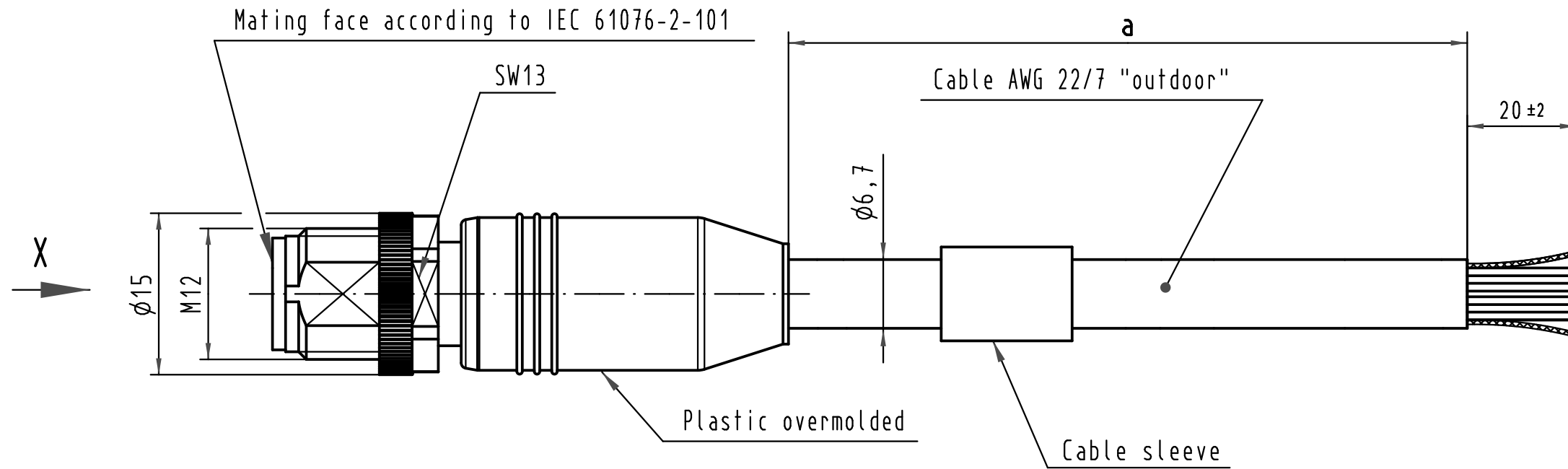
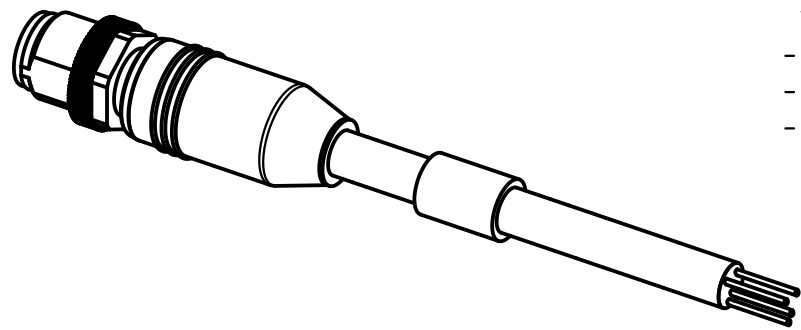


Alle Rechte vorbehalten/ All rights reserved



Loading-Plan:

- Shield
- 1 yellow
- 2 white
- 3 orange
- 4 blue



-Transmission properties in accordance with ISO/IEC 11801:2002: Class D
 -Temperature range: -20°C ...+60°C
 -Protection level: IP67
 -Recommended breakaway torque for the screw M12x1 - 0,6Nm

11	09 47 22 00 023	AWG 22/7 outdoor PVC	25 m
10	09 47 22 00 022	AWG 22/7 outdoor PVC	7,5 m
9	09 47 22 00 015	AWG 22/7 outdoor PVC	40 m
8	09 47 22 00 013	AWG 22/7 outdoor PVC	20 m
7	09 47 22 00 012	AWG 22/7 outdoor PVC	15 m
6	09 47 22 00 011	AWG 22/7 outdoor PVC	10 m
5	09 47 22 00 006	AWG 22/7 outdoor PVC	5 m
4	09 47 22 00 005	AWG 22/7 outdoor PVC	3 m
3	09 47 22 00 004	AWG 22/7 outdoor PVC	2 m
2	09 47 22 00 003	AWG 22/7 outdoor PVC	1,5 m
1	09 47 22 00 002	AWG 22/7 outdoor PVC	1 m

Cont. no.	Part-No.	Type of cable	Dim. a[m]
-----------	----------	---------------	-----------

All Dimensions in mm Original Size DIN A 3	Techn. Character.			Nicht tolerierte Maß/Free size tolerances	
		Dat.	Name	Maßstab/Scale 2:1	M12 cord, 1xM12 overmolded, D-coded 4xAWG 22/7, CAT5
		Detail.	03.03.09 MR		
		Insp.	03.03.09 RA		
	Stand.				
DRS 475A	HARTING Electronics GmbH & Co. KG D-32339 ESPELKAMP				TB 09 47 22 00 xxx Sub. Sub
Mod.	Dat.	Name	Blatt/ page		