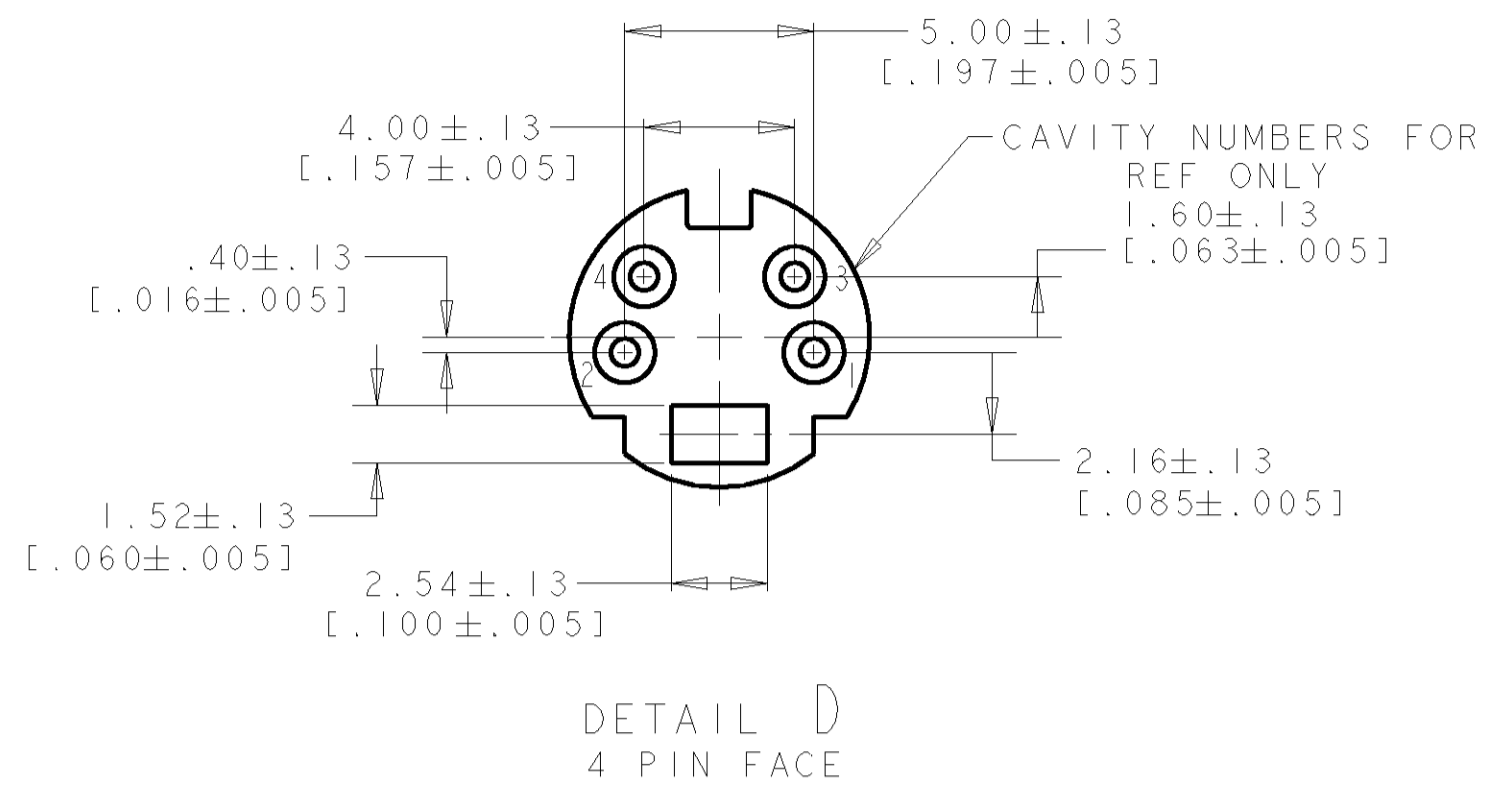
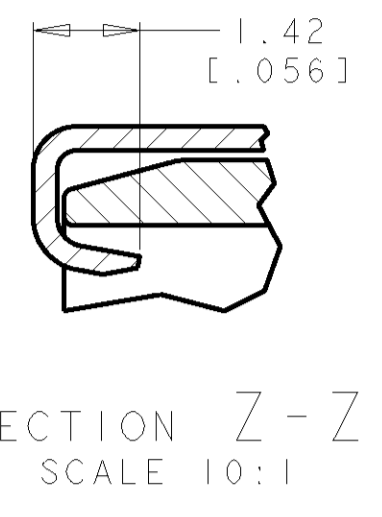
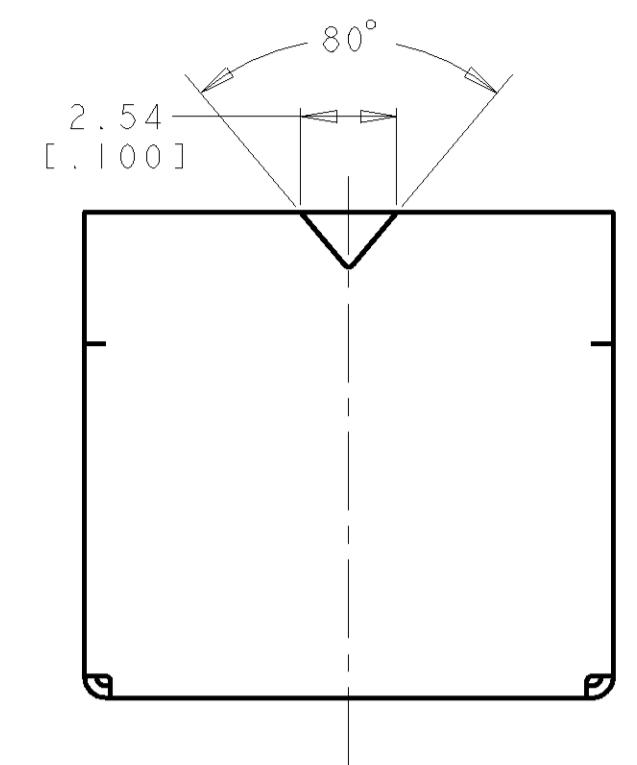
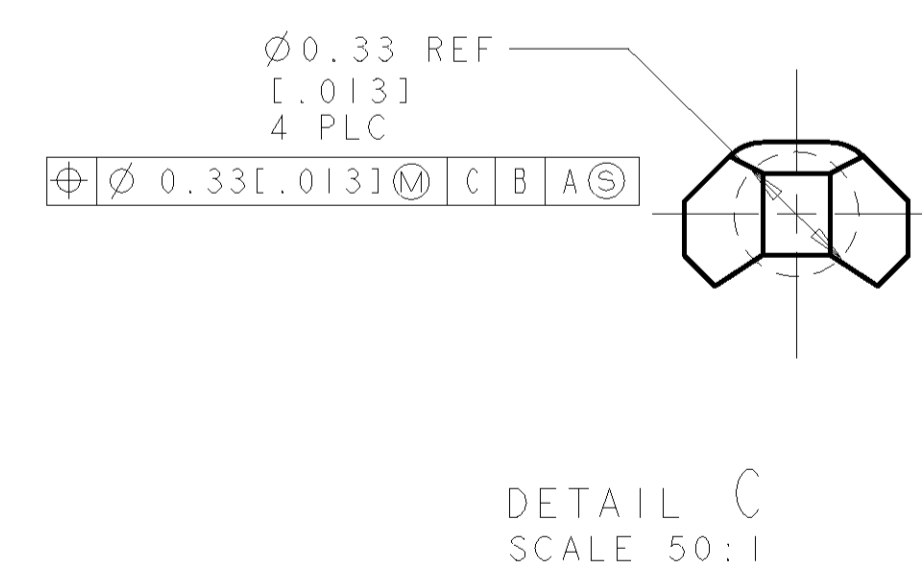
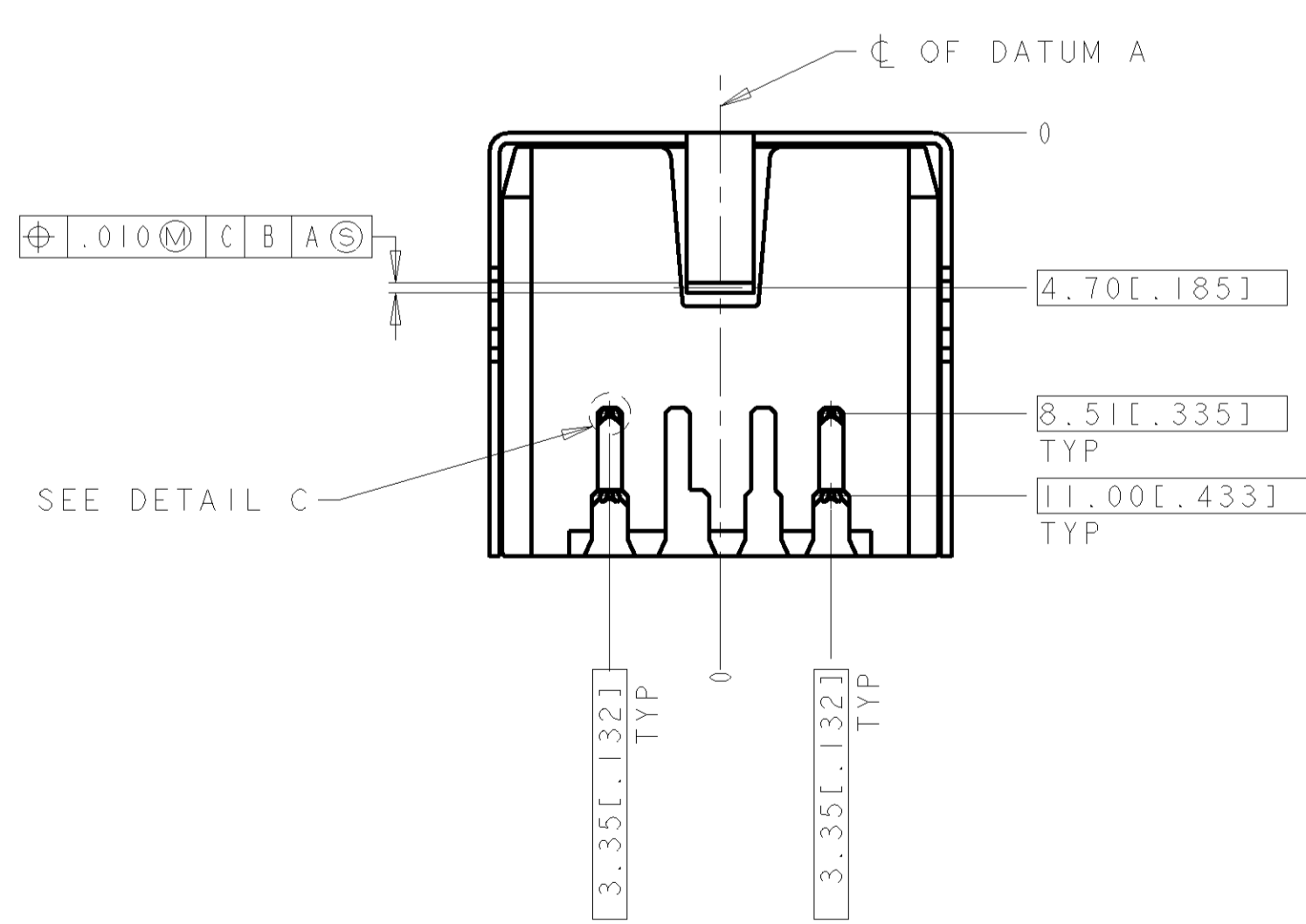
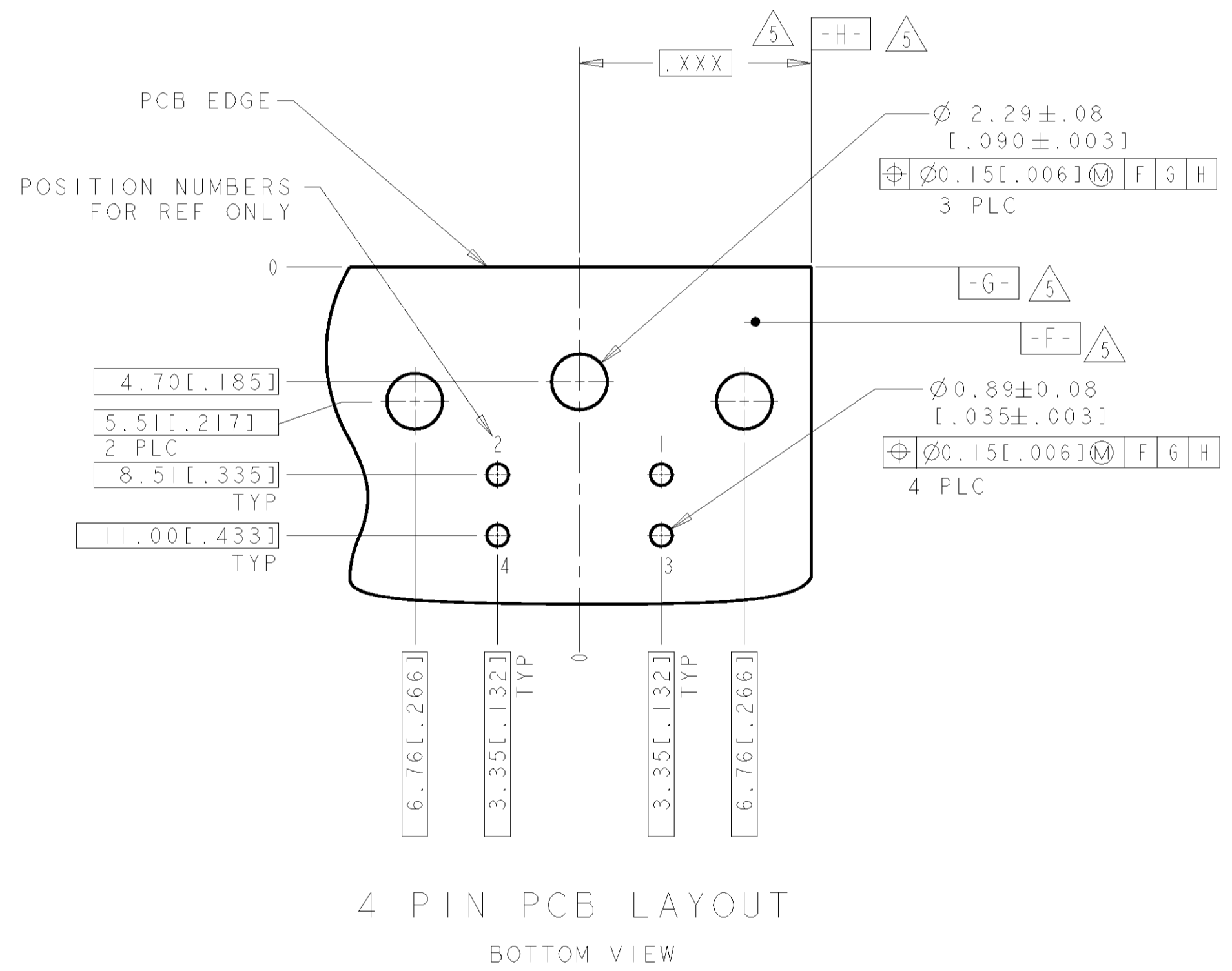
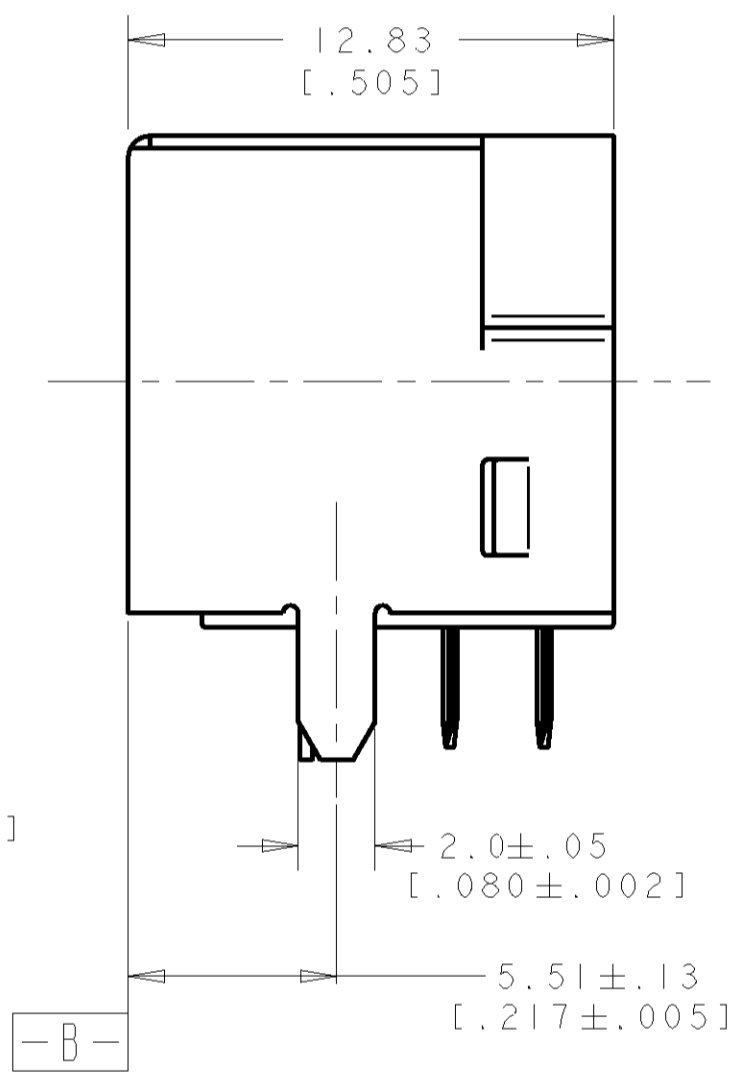
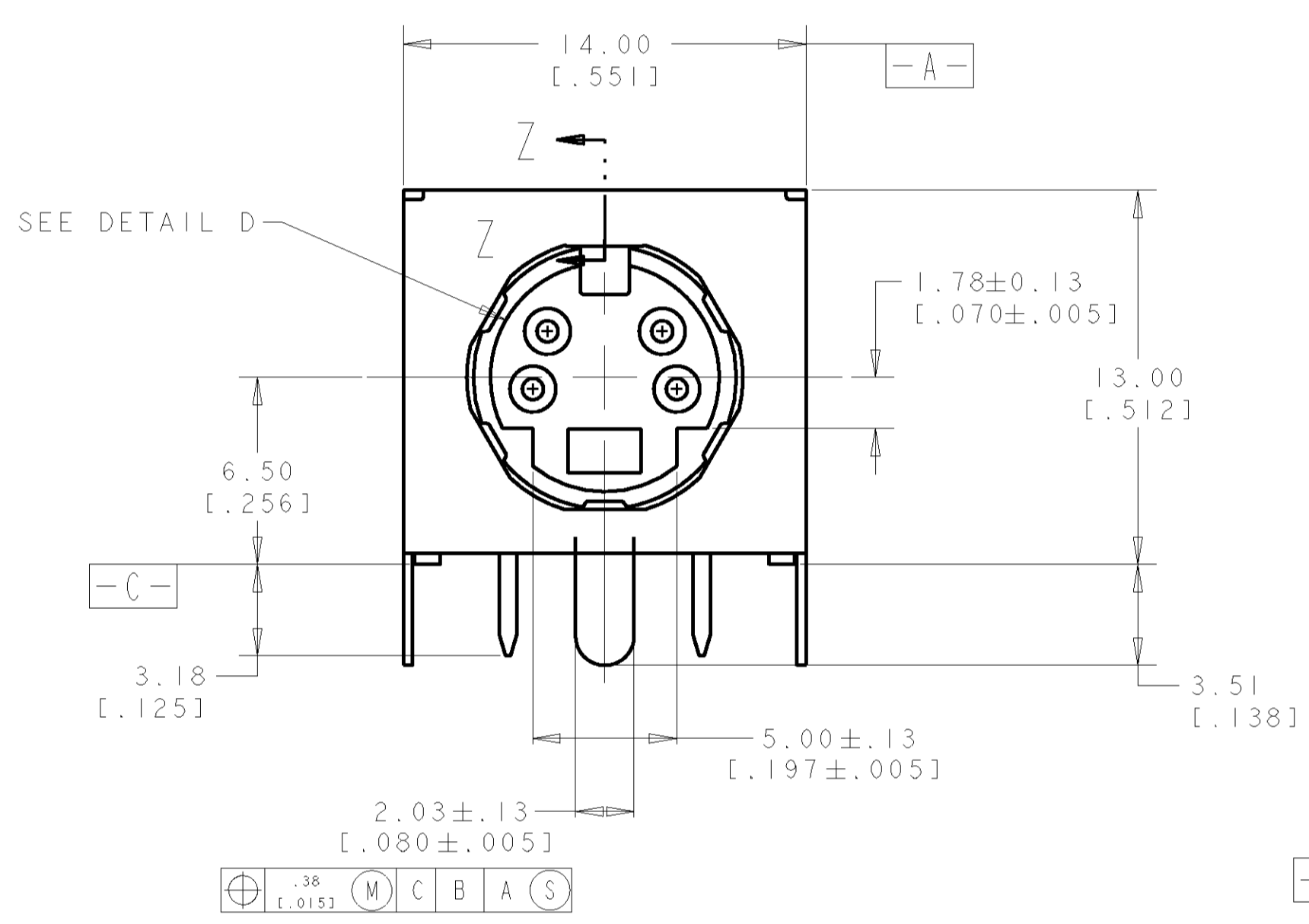


LOC	DIST	REV	DESCRIPTION	DATE	DNM	APRD
01	01	P	REVISED PER ECO-11-005139	19MAR11	RK	HMR



- 1 RECEPTACLE CONTACTS: COPPER ALLOY.
RECEPTACLE SHIELD: COPPER ALLOY.
HOUSING: THERMOPLASTIC, BLACK, 94V-0 RATED.
- 2 PLATING:
RECEPTACLE CONTACTS - GOLD FLASH PLATED ON MATING END, MATTE-TIN PLATED .0030 MIN [.000120 MIN] THICK ON SOLDER TAIL ALL OVER .0013 MIN [.000050 MIN] THICK NICKEL.
- 3 PLATING:
SHIELD: PRE-TIN PLATED
- 4 RECEPTACLE ASSEMBLY MATES WITH 4 PIN 9.00±.10 [.354±.004] DIAMETER PLUG.
- 5 DATUMS AND BASIC DIMENSION SUPPLIED BY CUSTOMER.



P/N: 5749263-1 AS SHOWN

DIMENSIONS: mm [INCHES]		TOLERANCES UNLESS OTHERWISE SPECIFIED:		DWN WYLLIE 03JAN2005		TE Connectivity	
Ø	±	0 PLC	±	APRD SF LEONG	NAME RECEPTACLE ASSY, 4 POS, RIGHT ANGLE, MINIATURE CIRCULAR DIN		
PLC	±	1 PLC	±	APRD SF LEONG	PRODUCT SPEC 108-1225		
PLC	±	2 PLC	±	APRD SF LEONG	APPLICATION SPEC		
PLC	±	3 PLC	±0.381 [.015]	SIZE A1			
PLC	±	4 PLC	±	CAGE CODE 00779			
ANGLE	±	±0°30'		DRAWING NO C=5749263			
MATERIAL		FINISH		WEIGHT		SCALE 5:1	
1		2 3		CUSTOMER DRAWING		SHEET 1 OF 1 REV P	