

4

3

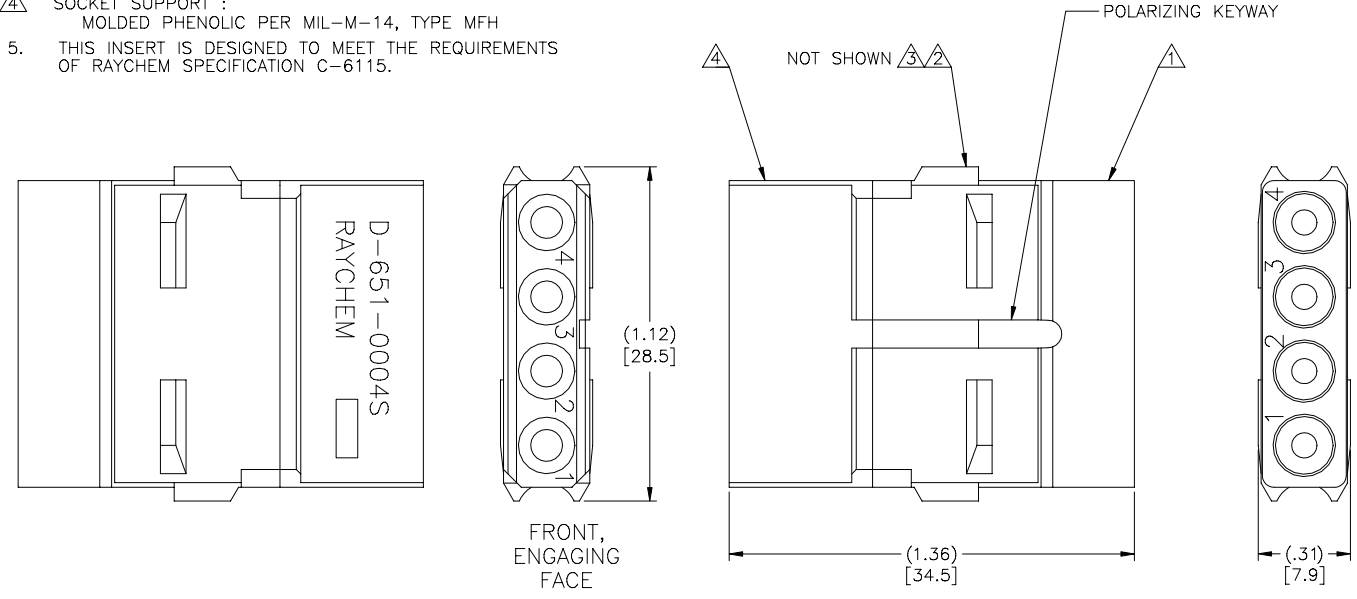
2

1

REVISIONS			
LTR	DESCRIPTION	DATE	APPROVED
N/C	INITIAL RELEASE, PER ECN #T-20168	6/8/95	HAGMANN

NOTES:

- △1 GROMMET SEAL :  
SILICONE RUBBER PER MIL SPEC ZZ-R-765
  - △2 RETAINER BLOCK :  
MOLDED PHENOLIC PER MIL-M-14, TYPE MFH
  - △3 CONTACT RETAINER CLIP :  
BeCu ALLOY 172 PER QQ-C-533
  - △4 SOCKET SUPPORT :  
MOLDED PHENOLIC PER MIL-M-14, TYPE MFH
5. THIS INSERT IS DESIGNED TO MEET THE REQUIREMENTS OF RAYCHEM SPECIFICATION C-6115.



CONTACT TYPE	MILITARY PART NO.	WIRE STRIP LENGTH (SEE DWG)	WIRE STRIP LENGTH (SEE DWG)
SHIELDED CONTACT FOR COAX CABLE			
D-602-0107	M39029/73-396	D-602-0107	D-602-0107
D-602-0095	M39029/73-397	D-602-0095	D-602-0095
CONTACT FOR TWISTED PAIR D-602-0105	M39029/73-398	D-602-0105	D-602-0105
POWER CONTACT SIZE 12	M39029/5-118	1/4 IN. TO 5/16 IN.	M22520/1-01 POSITIONER M22520/1-02

If this document is printed it becomes uncontrolled.  
Check with the web for latest revision.

SPECIFICATION CONTROL DRAWING

UNLESS OTHERWISE SPECIFIED DIMENSIONS ARE IN INCHES. METRIC DIMENSIONS ARE IN BRACKETS.	DRAWN	JWELCH	DATE	6/8/95	<b>Raychem</b> RAYCHEM CORPORATION 300 CONSTITUTION DRIVE MENLO PARK, CALIFORNIA 94025
	CHECKED	R.H.	DATE	6/8/95	
	APPROVED	RHAGMANN	DATE	6/8/95	
	APPROVED		DATE		
DECIMALS	.XXX ±.XXX [ mm ]	ANGLE	± X'	TITLE	
.XX ±.XX [ mm ]		SOCKET INSERT 4 - #12 CAVITIES MTC CONNECTOR			
WEIGHT	lbs. [ 6.33g ] MAX.	CAD NAME	008227-1.DWG	SIZE	C
		THIRD ANGLE PROJECTION		CODE IDENT. NO.	06090
				DWG. NO.	D-651-0004S
				REV	N/C
				DO NOT SCALE THIS DRAWING SCALE 4X SHEET 1 OF 1	

4

3

△

2

1

DWG NO. D-651-0004S SHEET 1

A