

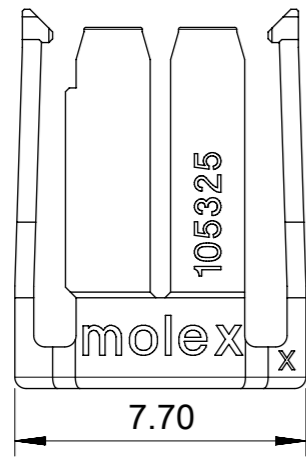
**NOTES:**

1. MATERIAL: PA4T, 30% GLASS FILLED, UL-94V-0.
2. PRODUCT SPECIFICATION: PS-105300-100.
3. PACKAGE SPECIFICATION: BAG, PK-105325-100.
4. THE COMPONENT COMPLIANT TO RoHS DIRECTIVE 2011/65/EU AND ELV DIRECTIVE 2000/53/EC.
5. PRODUCT MATES WITH SERIES OF 105307 AND 105308 (RECEPTACLE).
6. PARTS CONFORM TO CLASS 'B' REQUIREMENTS OF COSMETIC SPECIFICATION PS-45499-002.

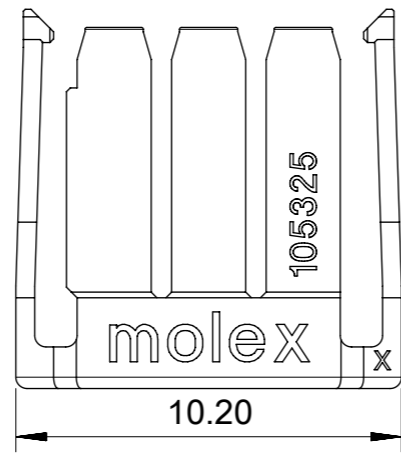
THIS DRAWING CONTAINS INFORMATION THAT IS PROPRIETARY TO MOLEX ELECTRONIC TECHNOLOGIES, LLC AND SHOULD NOT BE USED WITHOUT WRITTEN PERMISSION											
<b>QUALITY SYMBOLS</b> 	2016/03/30	2016/04/26	GENERAL TOLERANCES (UNLESS SPECIFIED)		DIMENSION UNITS	SCALE					
	EC NO: 103921 DRWN: GLLI CHK'D: AYIN APPR: AYIN	<b>B</b>	ANGULAR TOL ± 3.0 °		MM	5:1					
			4 PLACES ±	DRWN BY GLLI		DATE 2014/12/12					
			3 PLACES ± 0.1	CHK'D BY		DATE					
			2 PLACES ± 0.2	APPR BY AYIN		DATE 2015/08/24					
			1 PLACE ± 0.3	DRAWING SIZE		THIRD ANGLE PROJECTION					
0 PLACES ±	A3										
DRAFT WHERE APPLICABLE MUST REMAIN WITHIN DIMENSIONS								<b>PRODUCT CUSTOMER DRAWING</b>			
			SERIES 105325		MATERIAL NUMBER SEE SHEET 2		CUSTOMER GENERAL MARKET				
			DOCUMENT NUMBER SD-105325-100		DOC TYPE PSD		DOC PART 000		SHEET NUMBER 1 OF 2		

RELEASE STATUS	RELEASE DATE	07:07:27
----------------	--------------	----------

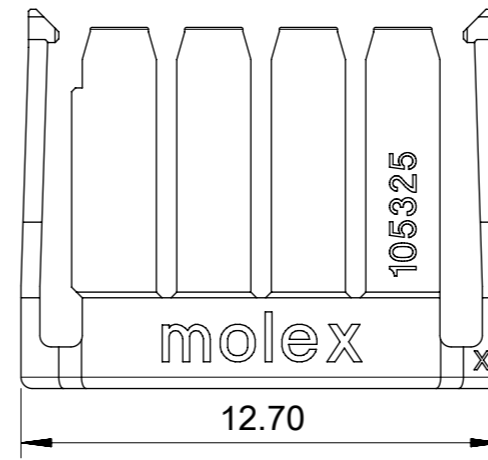
9 8 7 6 5 4 3 2 1



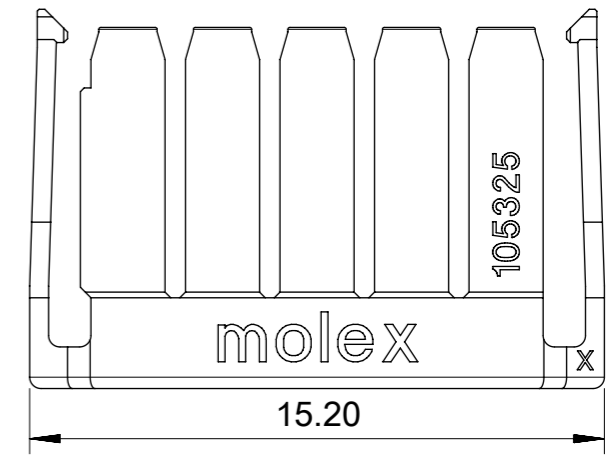
BLACK: 105325-1002  
NATURAL: 105325-2002



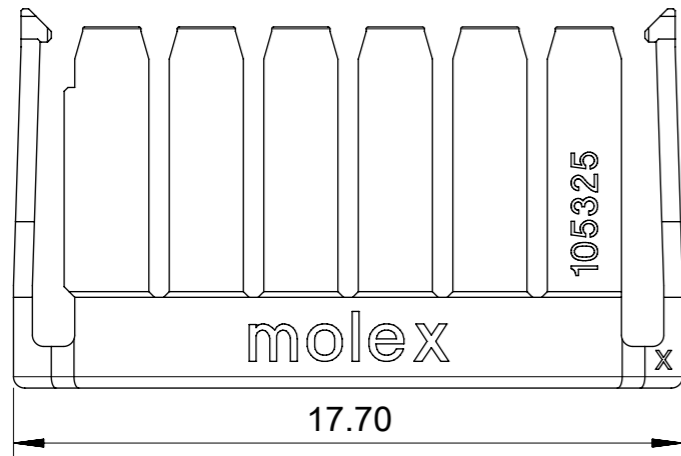
BLACK: 105325-1003  
NATURAL: 105325-2003



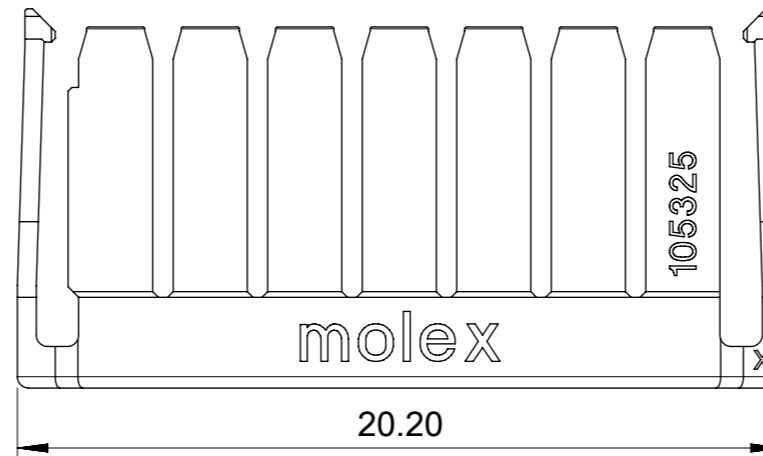
BLACK: 105325-1004  
NATURAL: 105325-2004



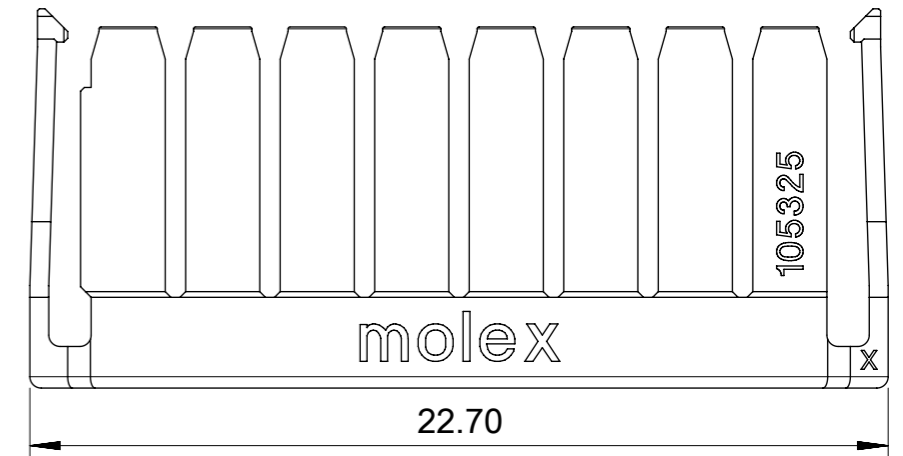
BLACK: 105325-1005  
NATURAL: 105325-2005



BLACK: 105325-1006  
NATURAL: 105325-2006



BLACK: 105325-1007  
NATURAL: 105325-2007



BLACK: 105325-1008  
NATURAL: 105325-2008

<b>QUALITY SYMBOLS</b> 	THIS DRAWING CONTAINS INFORMATION THAT IS PROPRIETARY TO MOLEX ELECTRONIC TECHNOLOGIES, LLC AND SHOULD NOT BE USED WITHOUT WRITTEN PERMISSION										
	2016/03/30 DRWN: GLLI EC NO: 103921	2016/04/26 CHK'D: AYIN REV APPR: AYIN	GENERAL TOLERANCES (UNLESS SPECIFIED)		DIMENSION UNITS	SCALE					
			ANGULAR TOL ± 3.0 °		MM	5:1					
	4 PLACES ±		DRWN BY		DATE		TPA OF NANO-FIT RECEPTACLE, POWER CONNECTOR				
	3 PLACES ± 0.1		GLLI		2014/12/12						
	2 PLACES ± 0.2		CHK'D BY		DATE		PRODUCT CUSTOMER DRAWING				
	1 PLACE ± 0.3		APPR BY		DATE						
	0 PLACES ±		AYIN		2015/08/24		SERIES	MATERIAL NUMBER	CUSTOMER		
	DRAFT WHERE APPLICABLE MUST REMAIN WITHIN DIMENSIONS		DRAWING SIZE		THIRD ANGLE PROJECTION		105325	SEE REMARK	GENERAL MARKET		
			A3				DOCUMENT NUMBER		DOC TYPE	DOC PART	SHEET NUMBER
						SD-105325-100		PSD	000	2 OF 2	

9 8 7 6 5 4 3 2 1