

Customer Information Sheet

DRAWING No.: M80-942XXXX

SHEET 2 OF 2

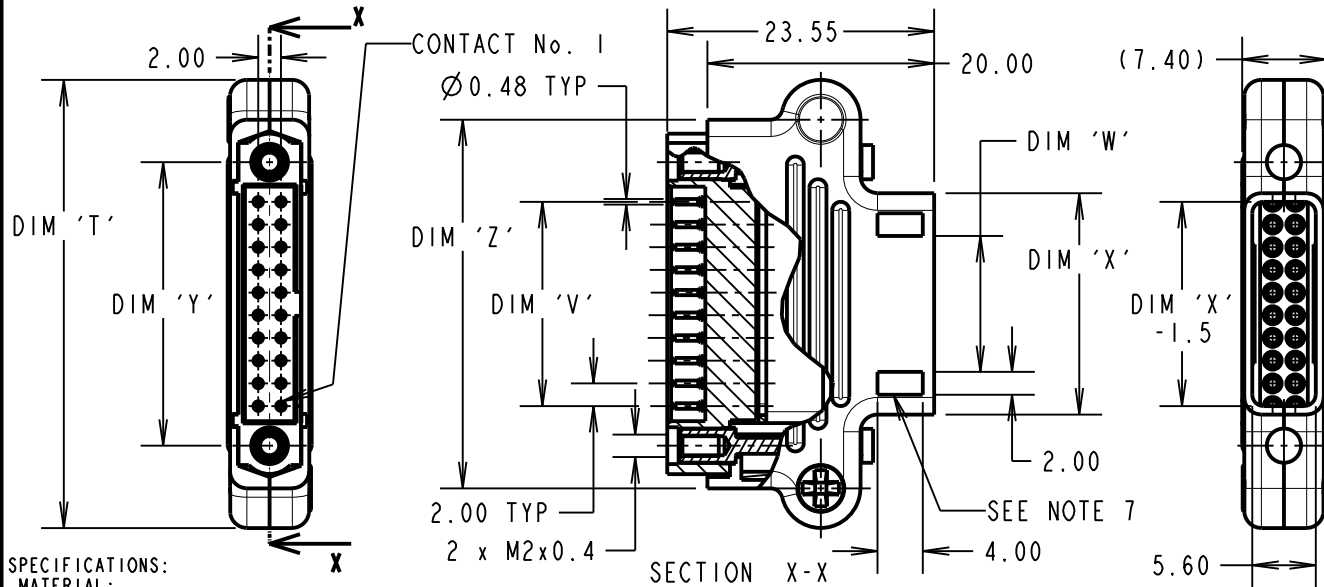
IF IN DOUBT - ASK

©

NOT TO SCALE

THIRD ANGLE PROJECTION

ALL DIMENSIONS IN mm



ORDER CODE:

M80-942XXXX

TOTAL No. OF CONTACTS _____

06, 08, 10, 12, 14
20, 26, 34, 42, 50

FINISH _____

05 - GOLD

- NOTES:
- CONNECTORS ARE SUPPLIED WITH CONTACTS, CABLE HOOD SET, AND CABLE HOOD FIXING SCREWS LOOSE.
 - FOR EXTRA CONTACTS, USE PART NUMBER M80-1950005.
 - RECOMMENDED WIRE TYPE = BS 3G 210 TYPE A, PTFE INSULATED 24-28 AWG. MAX INSULATION DIAMETER = ϕ 1.10mm, STRIP WIRE BY 2.00mm.
 - RECOMMENDED HAND CRIMP TOOL = M22520/2-01 WITH POSITIONER Z80-193. SEE INSTRUCTION SHEET IS-01 FOR COMPLETE CRIMPING INSTRUCTIONS.
 - CONTACT INSERTION AND EXTRACTION TOOL = Z80-280. REFER TO INSTRUCTION SHEET IS-25 FOR ASSEMBLY INSTRUCTIONS.
 - NO CABLE TIE SLOTS ON M80-94206XX AND M80-94208XX.

SPECIFICATIONS:
MATERIAL:
 CABLE HOOD = 30% GLASS-FILLED POLYAMIDE 46
 DATAMATE MOULDING = 30% GLASS-FILLED PPS,
 UL94V-0, BLACK
 CONTACT = BRASS
 JACKSCREW = STAINLESS STEEL
 CABLE HOOD FIXING SCREW = STAINLESS STEEL
FINISH:
 CONTACT:
 05 = 0.25-0.3 μ GOLD
 CABLE HOOD FIXING SCREW = BLACK NICKEL
ELECTRICAL:
 CURRENT RATING AT 25°C = 3.0A MAX
 CURRENT RATING AT 85°C = 2.2A MAX
 WORKING VOLTAGE = 800V AC/DC
 VOLTAGE PROOF = 1200V AC/DC
 CONTACT RESISTANCE = 25 m Ω MAX
 INSULATION RESISTANCE = 100 M Ω MIN
MECHANICAL:
 DURABILITY = 500 OPERATIONS
ENVIRONMENTAL:
 TEMPERATURE RANGE = -55°C TO +125°C
PACKING:
 LOOSE
 FOR COMPLETE SPECIFICATION, SEE COMPONENT SPECIFICATION C005XX (LATEST ISSUE)

PART NUMBER	No. OF CONTACTS	PART DIMENSIONS					
		DIM 'T'	DIM 'V'	DIM 'W'	DIM 'X'	DIM 'Y'	DIM 'Z'
M80-94206XX	6	25.50	4.00	N/A	5.50	11.00	18.50
M80-94208XX	8	27.50	6.00	N/A	7.50	13.00	20.50
M80-94210XX	10	29.50	8.00	2.00	9.50	15.00	22.50
M80-94212XX	12	31.50	10.00	4.00	11.50	17.00	24.50
M80-94214XX	14	33.50	12.00	6.00	13.50	19.00	26.50
M80-94220XX	20	39.50	18.00	12.00	19.50	25.00	32.50
M80-94226XX	26	45.50	24.00	18.00	22.50	31.00	38.50
M80-94234XX	34	53.50	32.00	26.00	33.50	39.00	46.50
M80-94242XX	42	61.50	40.00	34.00	41.50	47.00	54.50
M80-94250XX	50	69.50	48.00	42.00	49.50	55.00	62.50

SB	7	26.03.12	11691
NAME	ISS.	DATE	C/NOTE
APPROVED:		S.BENNETT	
CHECKED:		S.FLOWER	
DRAWN:		N. CODLING	
CUSTOMER REF.:			
ASSEMBLY DRG:			



www.harwin.com
 technical@harwin.com

THIS DRAWING AND ANY INFORMATION OR DESCRIPTIVE MATTER SET OUT HEREON ARE CONFIDENTIAL AND COPYRIGHT PROPERTY OF THE HARWIN GROUP AND MUST NOT BE DISCLOSED, LOANED, COPIED OR USED FOR MANUFACTURING, TENDERING OR FOR ANY OTHER PURPOSE WITHOUT THEIR WRITTEN PERMISSION.

TOLERANCES
 X. = \pm 1mm
 X.X = \pm 0.25mm
 X.XX = \pm 0.10mm
 X.XXX = \pm 0.01mm
 ANGLES = \pm 5°
 UNLESS STATED

MATERIAL:
 SEE ABOVE
FINISH: SEE ABOVE
S/AREA: mm²

TITLE: JACKSCREW DATAMATE DIL CRIMP (SMALL BORE) MALE ASSY WITH CABLE HOOD KIT
DRAWING NUMBER: M80-942XXXX
 SHT 2 OF 2