



Project Name _____

Catalog No. _____ Date _____

The WASP2 Indoor/Outdoor Occupancy Sensor is specifically designed for On/Off control of high bay fixtures in warehouse, distribution centers and similar facilities. The WASP2 sensor is also available for low mount applications when using the appropriate lens. The sensor is available in end mount and surface mount versions with either single or dual outputs.

All WASP2 sensors feature a daylight sensor which can be used to increase energy savings by turning off lights when there is sufficient natural light detected. These sensors also have a unique feature known as "Smart Cycling" which ensures even lamp burn time within the fixture. Using the "Smart Cycling" feature, the amount of time each lamp is burned is maintained and kept balanced.

Product Features

- Digital Passive Infrared (PIR) sensor
- Supported mounting heights:
 - High mount lens: 30 ft (9.14m) outdoors; 45 ft indoors (13.72m)
 - Low mount lens: 16 ft indoors/outdoors (4.88m)
- Multiple (single and dual) output versions
- Unique Smart Cycling for improved lamp life
- End mount and surface mount versions
- Interchangeable high/low area detection lens options
- Low voltage and line voltage models available
- Daylight sensor for daylight harvesting applications
- Low temperature/water-tight/indoor-outdoor versions
- Withstands low temperature and conforms to IP65 water- tight-standards
- UL and cUL listed
- Five-year limited warranty

Compliance and Certification



Dimensional Data



Ordering Information

Example: WSP-EM-UNV

WSP				
SENSOR MODEL	ENVIRONMENT	MOUNTING	INPUT VOLTAGE	COLOR
WSP	(Blank) Standard Version	EM End Mount	24V 24VDC (Low Voltage)	(Blank) White
LWO	Low-Temp/Water Tight/Indoor/Outdoor	SM Surface Mount	UNV 120/277/347VAC	BK Black
			UNV2R 120/277/347VAC (2 Outputs)	GY Gray
			208 208/240VAC	
			480 480VAC	

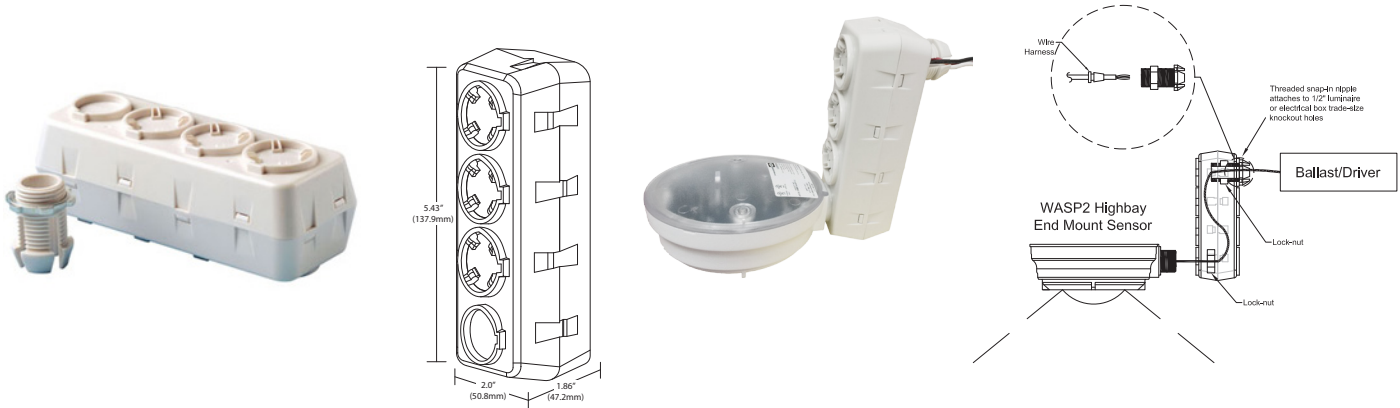
For available lens options and ordering information, reference the WASP2 Occupancy Sensor Lens Specification Sheet.

Accessories

The Optional WSPADAPTOR2 offset adaptor can be used to improve the field of view for fixture mounted sensors where the geometry of the fixture might otherwise interfere with the sensor's performance. The adapter snaps into a standard 1/2" (12.7mm) knockout on the end of the fixture and provides several mounting position choices for the sensor.

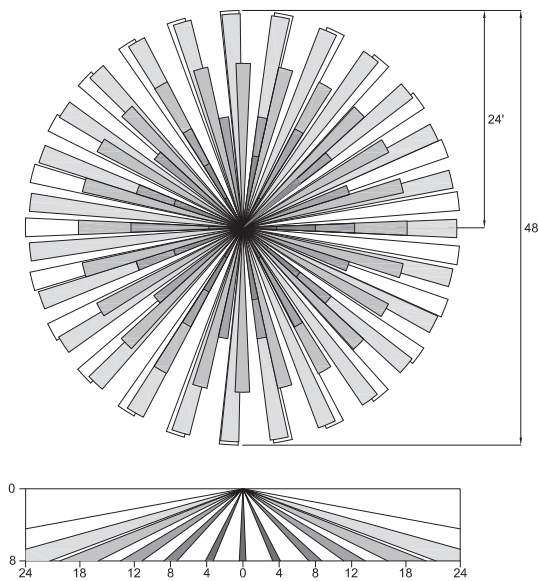
Ordering Information

MODEL
WSPADAPTOR2

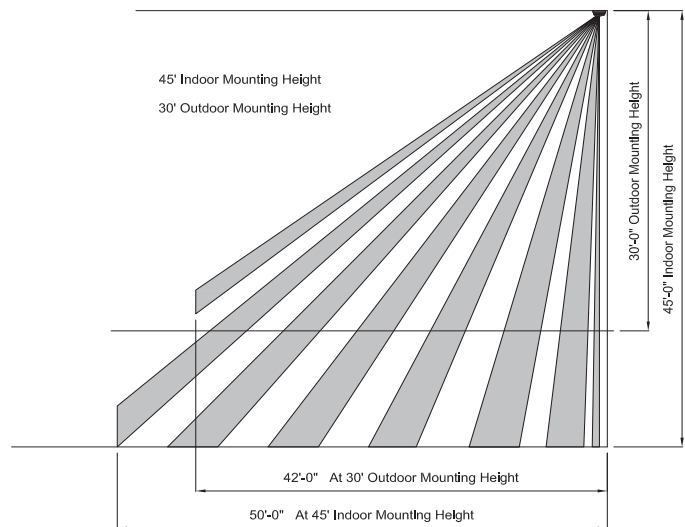


Coverage Pattern

Sensor Lens Coverage and Detection Patterns When Mounted at 8ft with Low Mount Lens

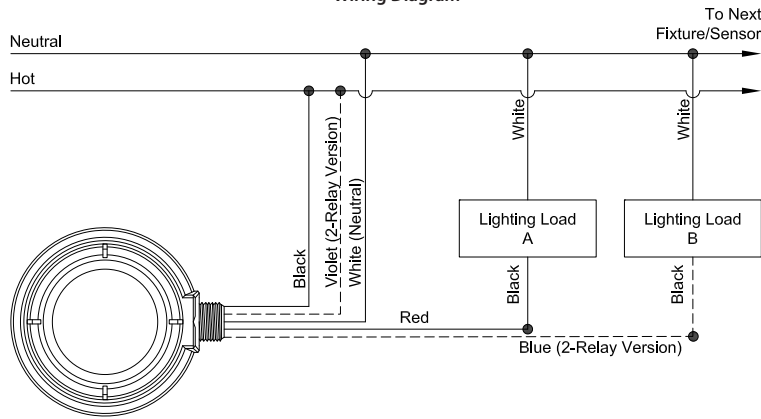


Sensor Lens Coverage and Detection Patterns When Mounted at 30ft and 45ft with Standard Lens

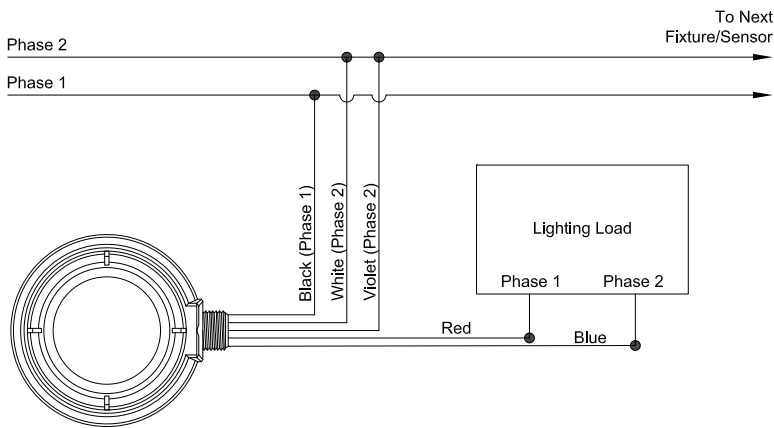


Wiring Diagrams

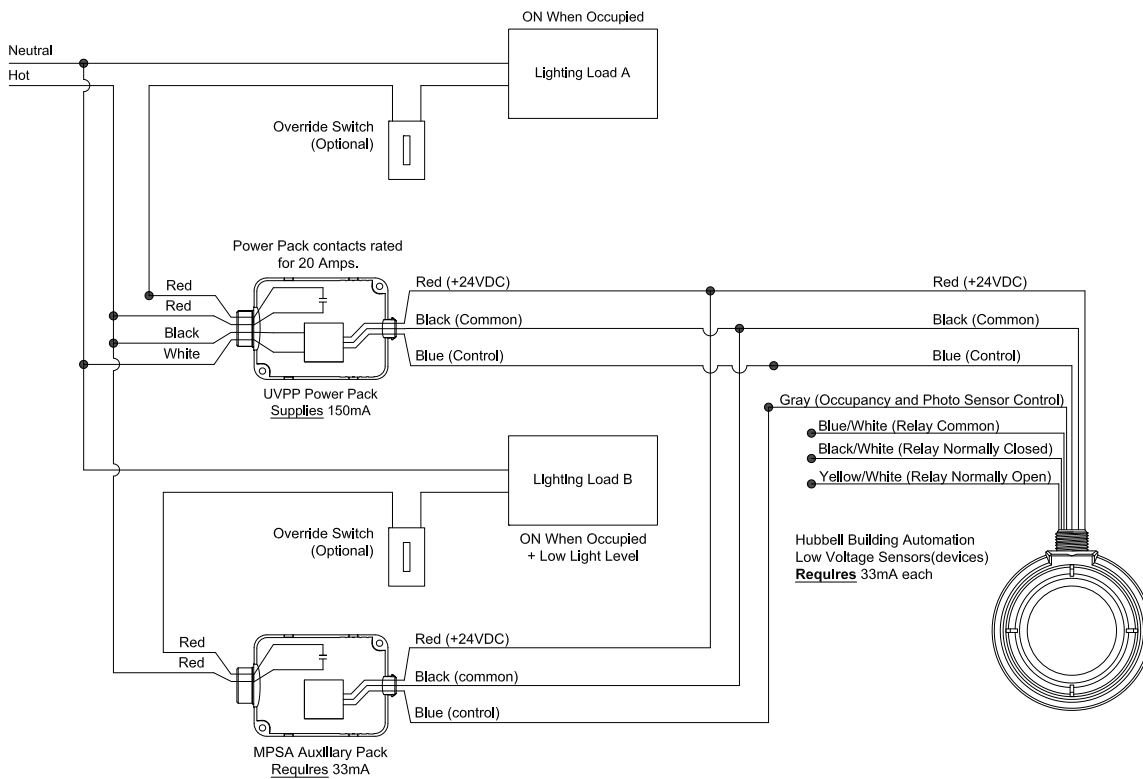
120/277/347VAC WASP2
Wiring Diagram



208/240 & 480VAC WASP2
Wiring Diagram



24V WASP2 Wiring Diagram



General Specifications

Power Requirements	Line Voltage sensors: 120/277/347VAC, 208/240VAC, 480VAC, 60 Hz Low Voltage sensors: 24VDC (uses UVPP or MP-Series power pack – not included)
Load Ratings (Line voltage sensors)	120VAC: 0-800W ballast or 0-600W tungsten, 60Hz 277VAC: 0-1200W ballast 347VAC: 0-1500W ballast 208/240VAC: 0-1200W ballast 480VAC: 0-2400W ballast ¼ HP motor load @ 120VAC, 1/6HP @ 347VAC
Output (Low voltage sensors)	24VDC active high-logic control signal Relay: N/O + N/C contacts; 500mA rated @ 24VDC; three wire isolated relay
User Interface	(1) Twelve pin dip switch
Timer Timeouts	Primary: 8-second test mode - 4, 8, 16 and 30 minute timeouts Secondary: Can be disabled (switches off with primary timer) - 30, 60 and 90 minute timeouts
Passive Infrared	Dual element pyrometer and spherical Fresnel lens designed for robust detection of a walking person.* *When used with program start ballast, a 1-2 second delay from occupancy detection to lamp turn-on may be experienced.
Daylight Sensor	Range: 30 – 2500FC End mount sensor: Downward and upward looking daylight sensors (Direction selectable via dip switch) Surface mount sensor: Downward looking daylight sensor only
Interchangeable Lens Options	Lens options: (Lenses sold separately – not included with sensor module) Low Mount/High Mount Indoor/Outdoor Coverage: 360°, 180°, Aisle, Half Aisle
Operating environment	Standard version: Indoor use only; Operating temperature: 32° to 149°F (0° to 65°C); Relative humidity (non-condensing): 0% to 95% Low-temperature/Water-tight/Indoor-Outdoor version: Operating temperature: -40° to 149°F (-40° to 65°C)
Construction	Sensor Module and Lens Assembly – high impact, injection-molded plastic
Dimensions	Ø4.0" x 1.5" H (Ø101.6mm x 38.1mm H)
Weight	7 oz. (198.45g)
Color	White, Black and Gray
Mounting	End mount sensor: Mounts directly to end of fixture through extended ½" (12.7mm) chase nipple For deeper body fixtures, an optional Extender Adapter (available separately) positions the sensor flush or below the bottom of the reflector for a full field-of-view. Surface mount sensor: Mounts directly to fixture or j-box via (2) 1.25" (31.75mm) stainless steel screws and locking nuts
Certifications	Conforms to UL STD 508, UL STD 244A
Warranty	Five-year limited