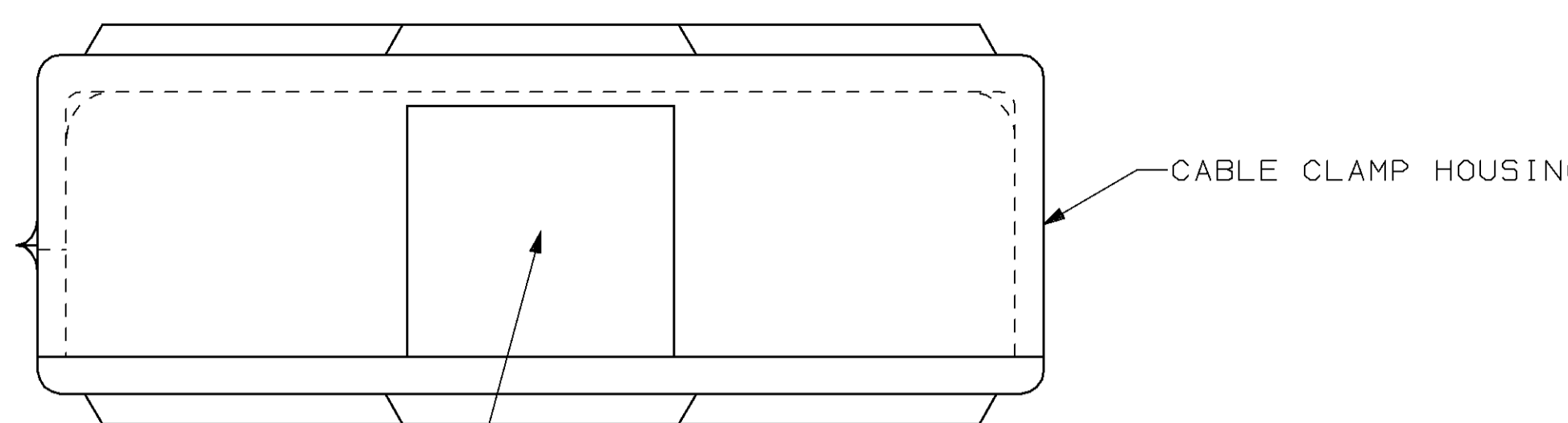
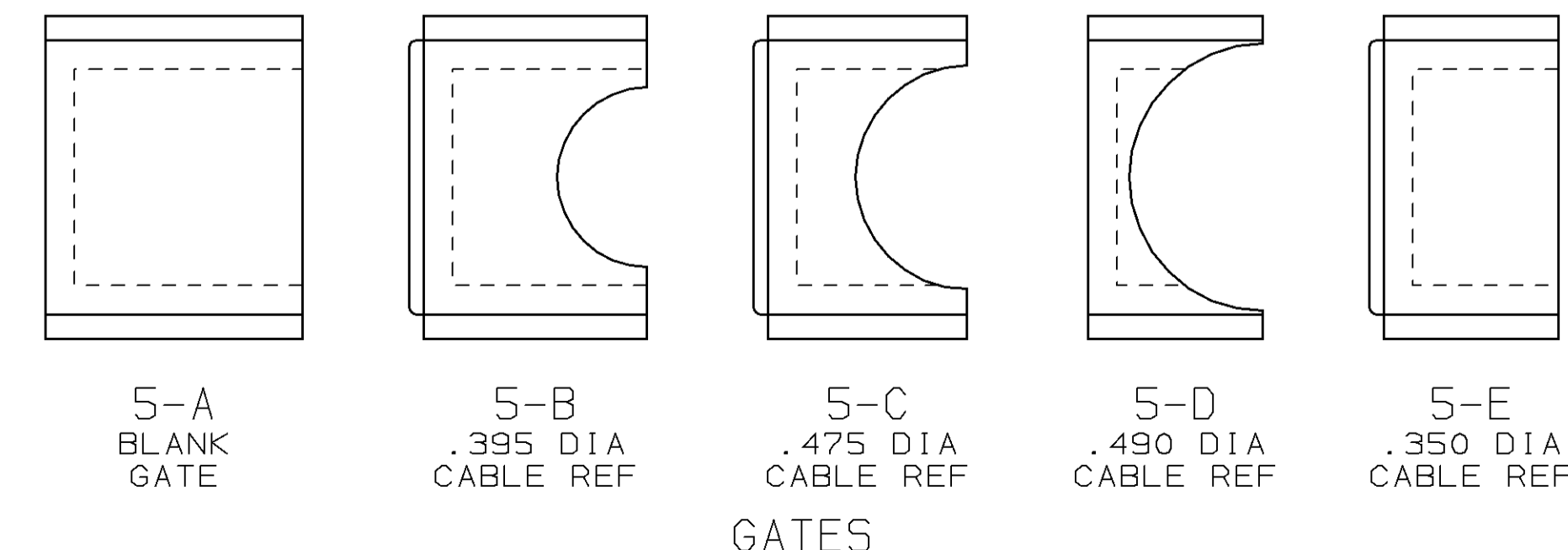
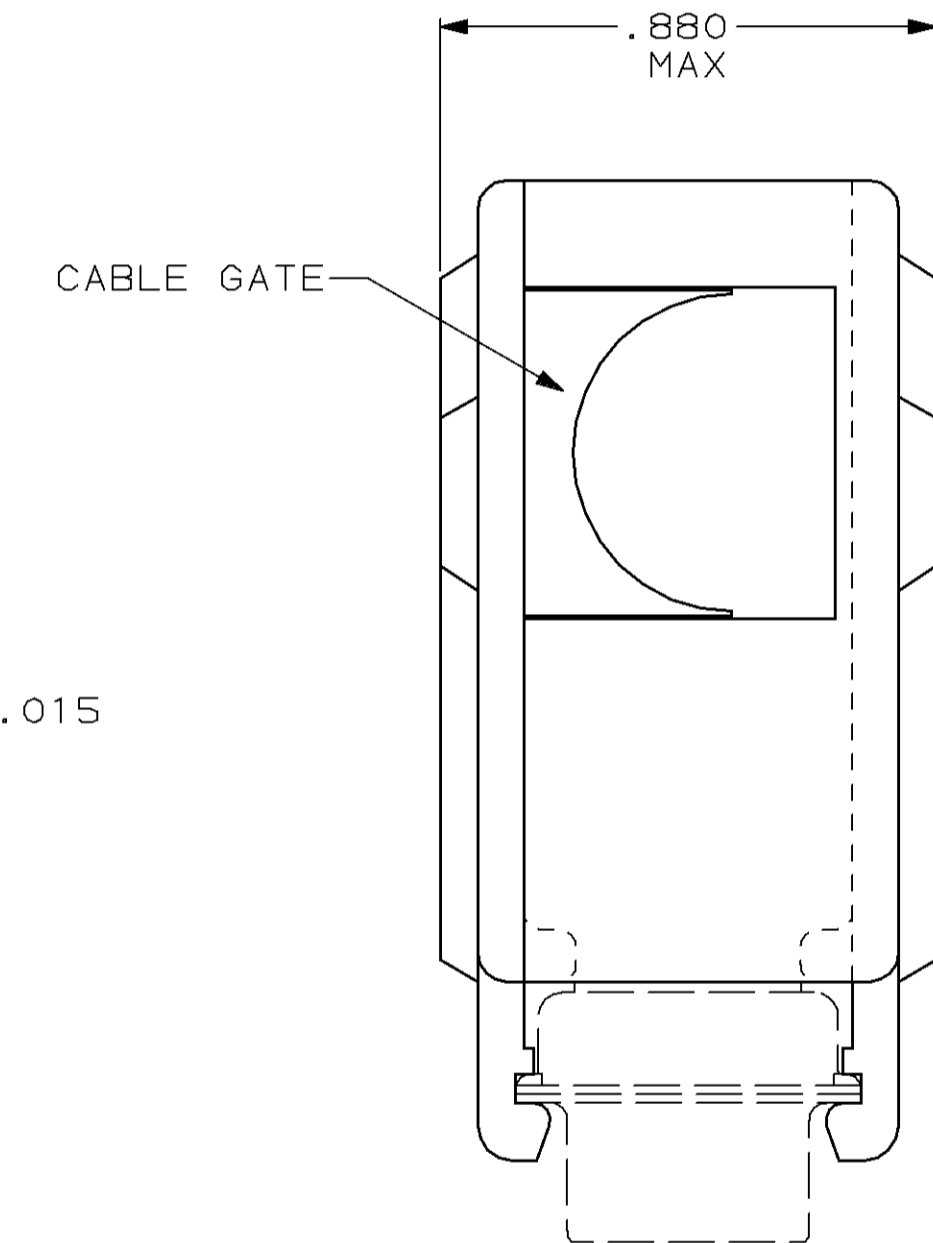
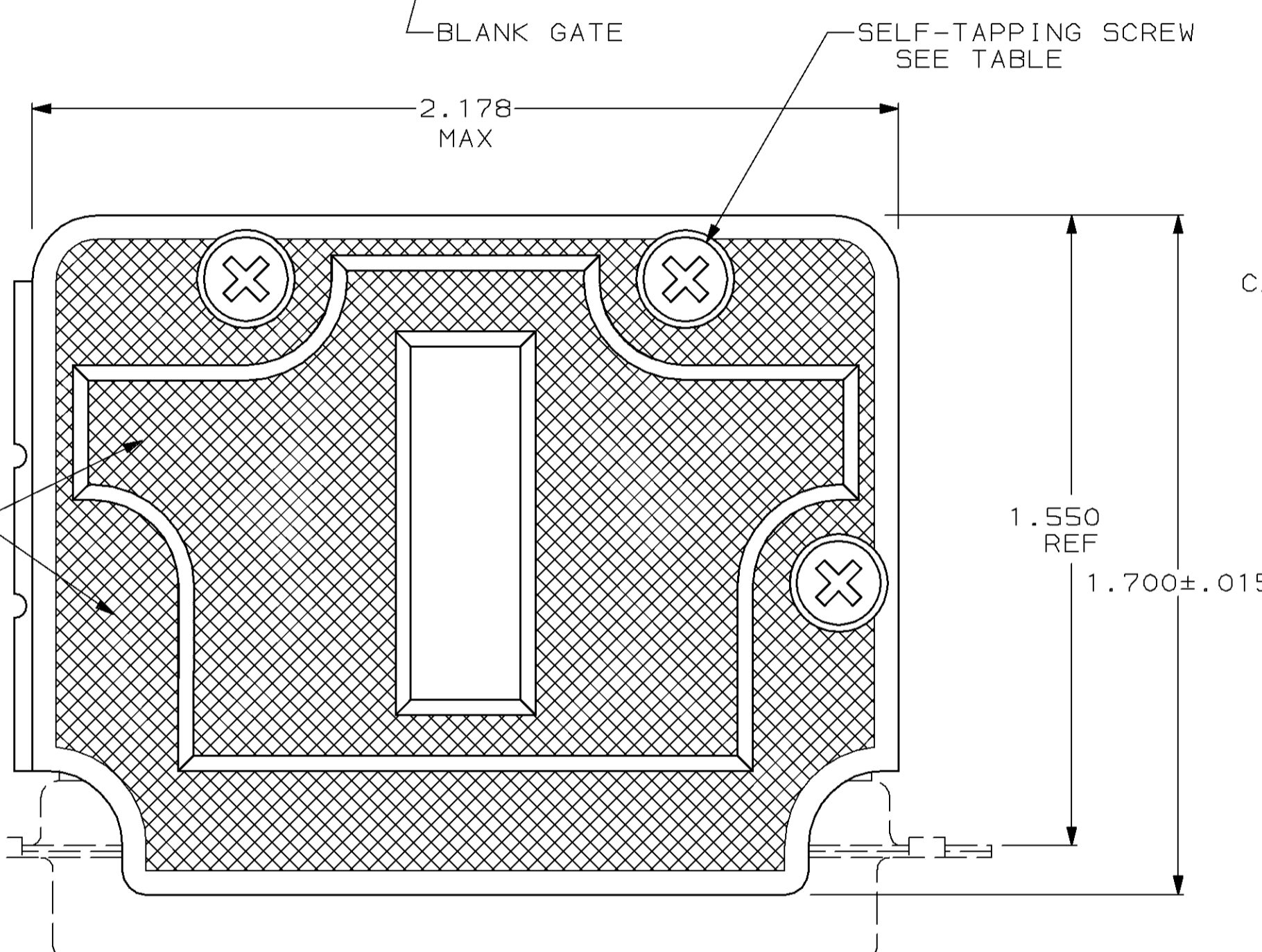


THIS DRAWING IS UNPUBLISHED. RELEASED FOR PUBLICATION, 19
 © COPYRIGHT 19 BY AMP INCORPORATED, HARRISBURG, PA. ALL INTERNATIONAL RIGHTS RESERVED. AMP PRODUCTS MAY BE COVERED BY U.S. AND FOREIGN PATENTS AND/OR PATENTS PENDING.

LOC		DIST		P		F		REVISIONS			
BD	48			ZONE	LTR	DESCRIPTION	DATE	APPD			
					D	REV PER EC 0020-1140-95	19 DEC 95	JS			
					E	OBSOLETE -2 PER EC 0020-779-95	03 FEB 96	CS			



- PARTS PACKAGED UNASSEMBLED.
 - CABLE GATES ARE INTERCHANGEABLE ALLOWING 90° & 180° CABLE EXIT.
- △ COMPONENTS INDIVIDUALLY BULK PACKED AND SHIPPED AS A UNIT PACKAGE KIT.



	SLOTTED	△	207476-4
	SLOTTED	AS SHOWN	207476-3
OBSOLETE	CROSS-RECESSED	△	207476-2
	CROSS-RECESSED	AS SHOWN	207476-1
	SCREW VERSION	PACKAGING	PART NUMBER

UNLESS OTHERWISE SPECIFIED DIMENSIONS ARE IN INCHES TOLERANCES ON : 2 PL DEC ± - 3 PL DEC ± .005 ANGLES ± -	DR 09-16-86 S.WELDON	AMP INCORPORATED Harrisburg, Pa. 17105	
	CHK 09-16-86 C.RICHARD		
MATERIAL MOLDED PARTS: POLYPROPYLENE, COLOR: BLACK SCREWS: STEEL PER ASTM A108	APPD 09-16-86 S.SCHEIFERLY	NAME CABLE CLAMP KIT, SIZE 5, ONE PIECE, 90° & 180° EXIT, AMPLIMITE®	
	APPD 09-16-86 V.KUMAR	PRODUCT SPEC	
FINISH SCREWS: ZINC PHOSPHATE PER MIL-P-16232.	APPLICATION SPEC	SIZE	FSCM NO
	WEIGHT		
		DRAWING NO	
		SCALE	SHEET
			1 OF 1