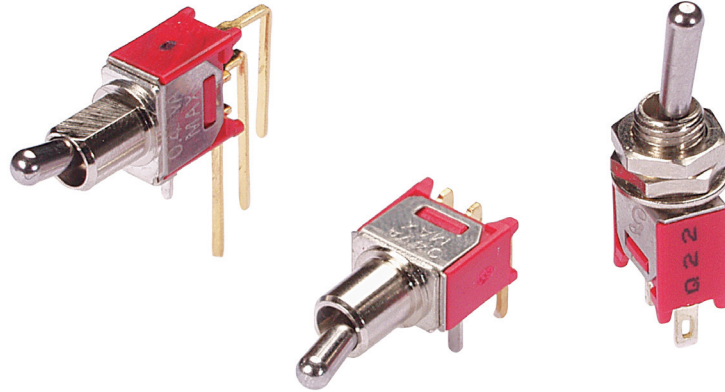


SERIES 34C
Sub-Miniature Toggle Switches

FEATURES

- Save Space and Weight
- SPDT and DPDT Circuitry
- Choice of Actuators, Bushings, and Terminations
- UL Recognized

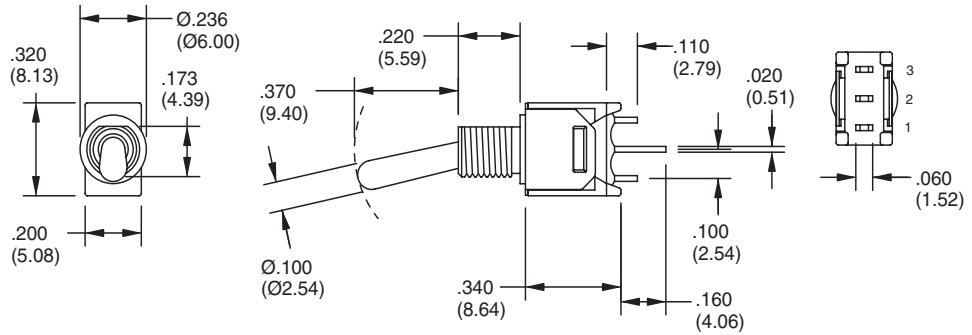


MODELS in inches (and millimeters)

SPDT

| MODEL NO. | SWITCH POSITION | | |
|-------------|-----------------|------|------|
| MSP1 | ON | NONE | ON |
| MSP2 | ON | NONE | (ON) |
| MSP3 | ON | OFF | ON |
| MSP4 | (ON) | OFF | (ON) |
| MSP5 | ON | OFF | (ON) |
| TERM. COMM. | 2-3 | OPEN | 2-1 |

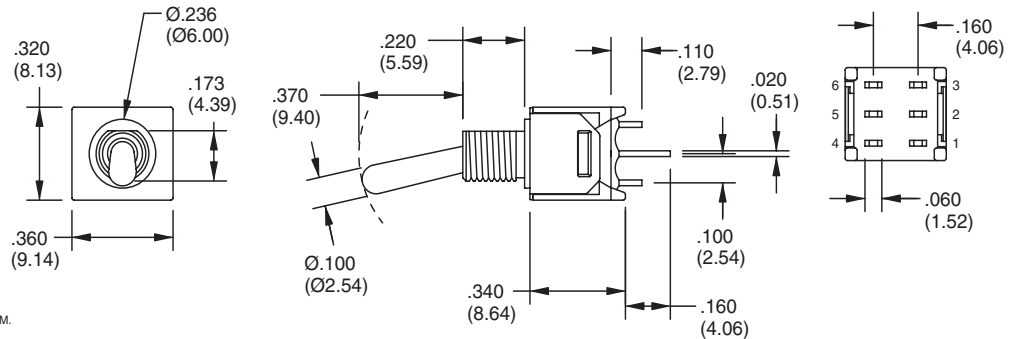
()=MOMENTARY



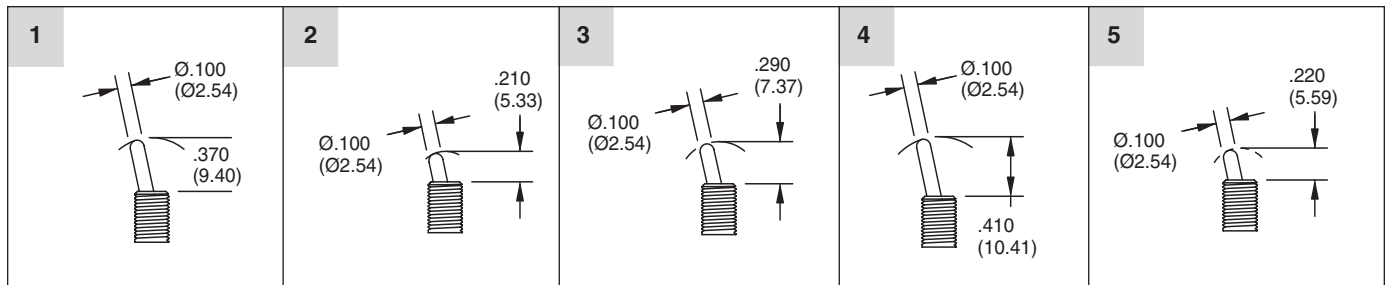
DPDT

| MODEL NO. | SWITCH POSITION | | |
|-------------|-----------------|------|----------|
| MDP1 | ON | NONE | ON |
| MDP2 | ON | NONE | (ON) |
| MDP3 | ON | OFF | ON |
| MDP4 | (ON) | OFF | (ON) |
| MDP5 | ON | OFF | (ON) |
| TERM. COMM. | 2-3, 5-6 | OPEN | 2-1, 5-4 |

()=MOMENTARY

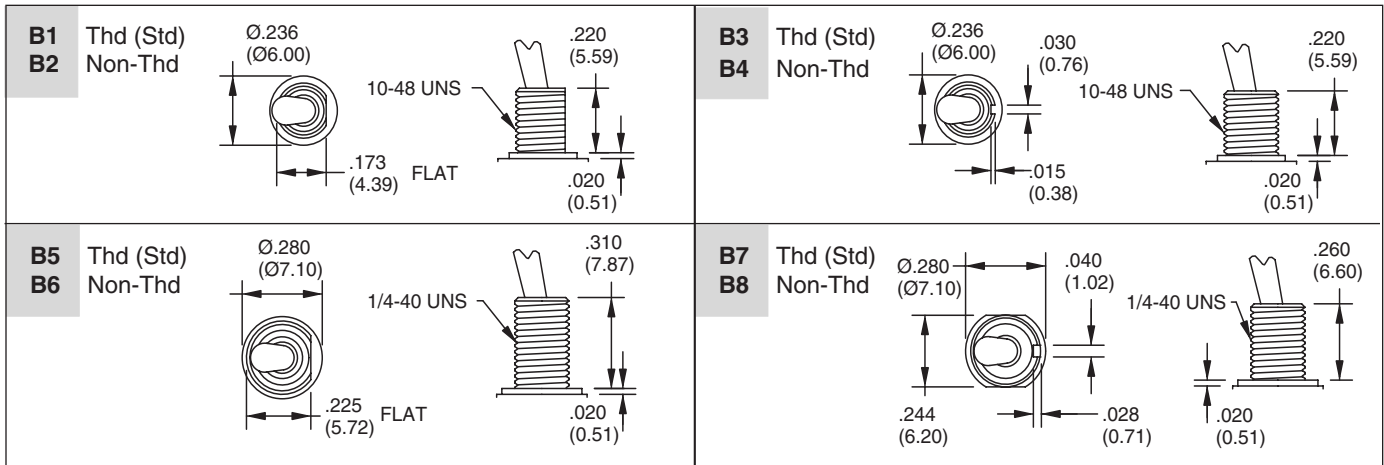


ACTUATOR OPTIONS in inches (and millimeters)

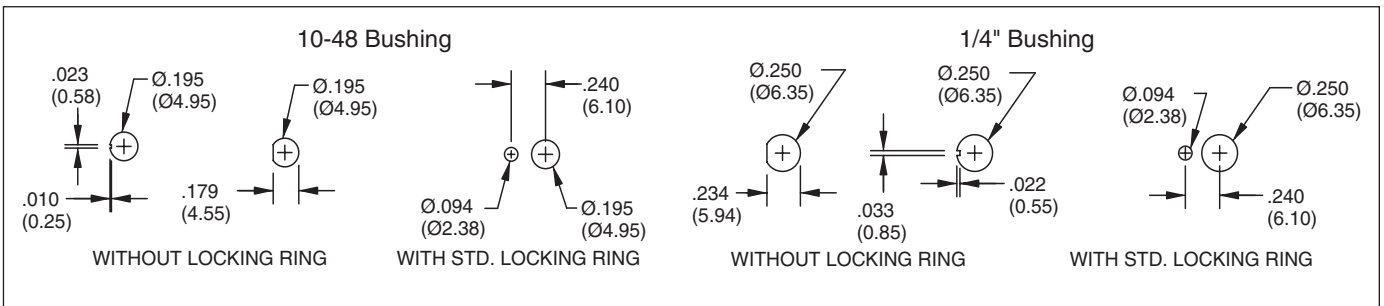


Actuator options 1, 2 and 3 shown with B1 to B4 bushing, subtract 0.90 (2.29) for bushing B5, subtract 0.40 (1.02) for bushing B7. Actuators 4 and 5 shown with B5 and B6 bushing, add 0.90 (2.29) for bushing B1 to B3, add 0.50 (1.27) for bushing B7.

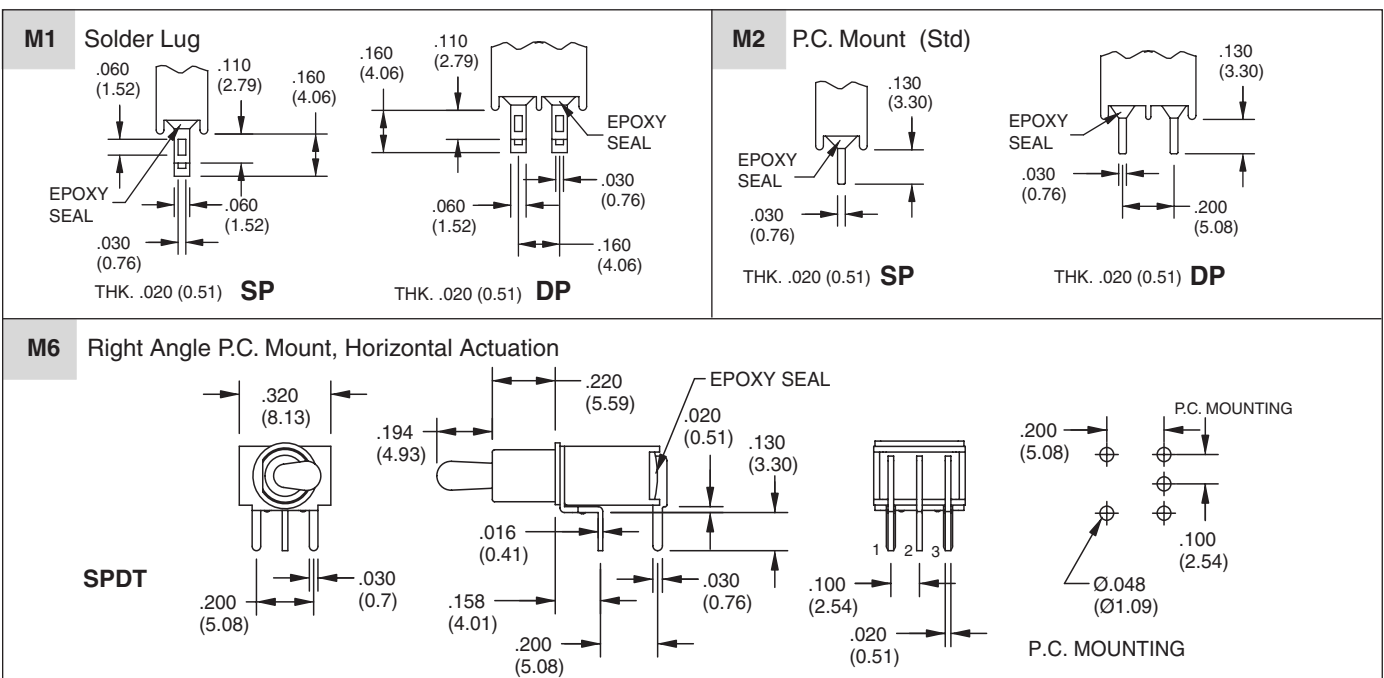
BUSHING OPTIONS in inches (and millimeters)



PANEL MOUNTING in inches (and millimeters)

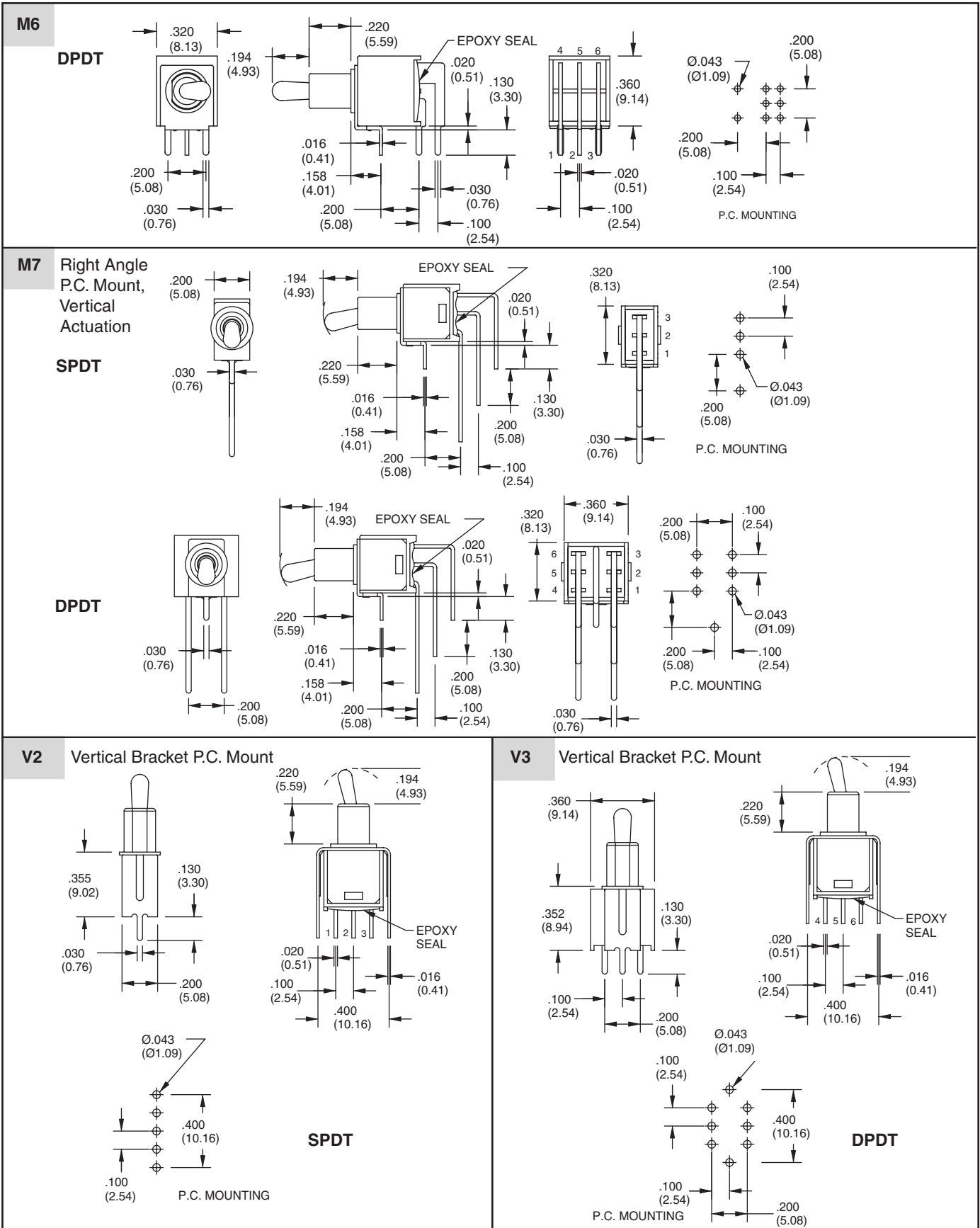


TERMINATION OPTIONS in inches (and millimeters)



Toggle Switches

TERMINATION OPTIONS in inches (and millimeters)



SPECIFICATIONS

RATINGS

Contact Rating: Q option - 3A with resistive load @ 125VAC or 28 VDC; 1.5A with resistive load @ 250 VAC. R option-0.4 VA max @ 20 Vmax (AC or DC)

Electrical Life: 30,000 make-and-break cycles at full load

Contact Resistance: 10 milliohms max. initial @ 2-4 VDC, 100 mA

Insulation Resistance: 1,000 megaohms minimum

Dielectric Strength: 1,000 V RMS @ sea level

Operating Temperature: -30°C to 85°C

UL Recognition: File number is E35289

MATERIALS

Case: Diallyl phthalate (DAP) (UL 94V-0)

Toggle Handle: Brass, chrome plated

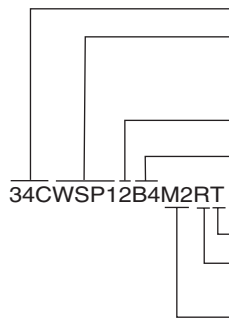
Bushing: Brass, nickel plated

Housing: Stainless steel

Terminal/Switch Support: Brass, electroplated

Terminal Seal: Epoxy

ORDERING INFORMATION



Series 34C Sub-Miniature Toggle Switches
 Model: SPDT: MSP1, MSP2, MSP3, MSP4, MSP5
 DPDT: MDP1, MDP2, MDP3, MDP4, MDP5
 (See Model options.)
 Actuator: 1, 2, 3, 4, 5 (See Actuator options.)
 Bushing Option: B1, B2, B3, B4, B5, B6, B7, B8
 (See Bushing options.)

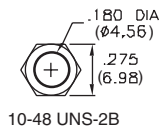
RoHS Compliant
 Contact: R = Copper alloy, gold plate over nickel plate,
 Q = Copper alloy over silver plate
 Termination Options: M1, M2, M6, M7, V2, V3
 (See Termination options.)

Available from your local Grayhill Component Distributor.

For prices and discounts, contact a local Sales Office, an authorized local Distributor or Grayhill.

HARDWARE in inches (and millimeters)

NUT

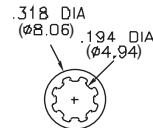


10-48 UNS-2B



HDW21

LOCK WASHER



THK
(0.54) .021

HDW22