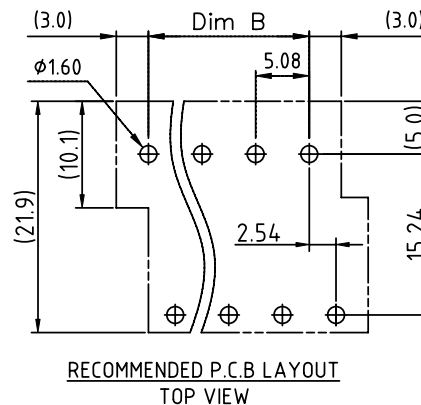
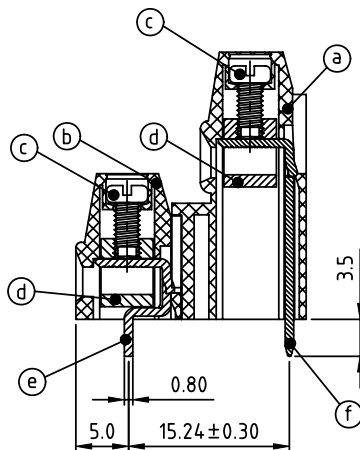
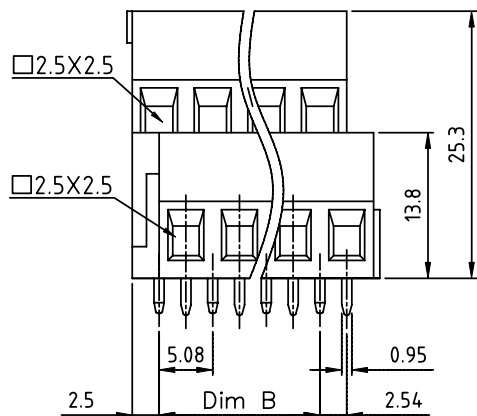
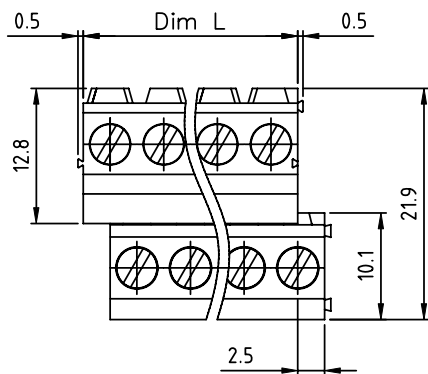


PRODUCT NUMBER	PITCH
YLxx61x000J0G	5.08 mm



- Material:
- Item a Terminal housing :Thermoplastic (UL 94V-0) (YE5.08)
  - Item b Terminal housing :Thermoplastic (UL 94V-0) (YD5.08)
  - Item c Terminal screw: Steel Zinc plating"-slot type
  - Item d Clamp: Brass, Ni plated
  - Item e Solder pin1: Brass, Tin plated (YD)
  - Item f Solder pin2: Brass, Tin plated (YE)

- Electrical cULus
- Voltage rating: 300VAC
  - Current rating: 20A
  - Wire range:
  - Solid wire(AWG): 12-22
  - Stranded wire(AWG): 12-22
  - Torque(Lb-In): 3.5
  - Screw: M2.5
  - Wire strip length: 6-7mm
  - Withstanding Voltage: 1.6KV
  - Operating temperature: -40°C to +115°C
  - Soldering temperature: 260°C±5°C/5 Sec
  - Safety Approval: cULus

DIMENSION

Dim L	N/2x5.08
Dim B	(N/2-1)x5.08

N=Number of poles

Poles	Tolerance
2x2p~2x6p	±0.20
2x7p~2x12p	±0.30
2x13p~2x18p	±0.35
2x19p~2x24p	±0.40
2x25p~2x29p	±0.35
2x30p~2x32p	±0.40

PART NO.: YL xx 6 1 x 0 00J0 G

	Color	RoHS compliant (lead<4% In copper Alloy)
End stackable	0 Black (RAL9005)	
No. of poles	2 Red (RAL3001/D)	
04 2x2 poles	3 Orange(RAL2011/P)	
06 2x3 poles	4 Yellow(RAL1018/A)	
... ..	5 Green(RAL6018/T)	
48 2x24 poles	6 Blue (RAL5015/A)	
64 2x32 poles	8 Grey(RAL7035/D)	
	9 White(RAL1102)	
	C Green(RAL6018/U)	

mat'l. code		surface ASME Y14.5	tolerance ASME Y14.5	projection	product family TERMINAL BLOCK
ltr	ecn no dr date	tolerances unless otherwise specified		 MM	title TERMINAL BLOCK
		angles	X.±0.5		RISING CLAMP,180D WIRE INLET,END STACKABLE,RIGHT TYPE
		flatness	X.X±0.3	scale	YLxx61x000J0G
		total run out	X.XX±0.1		sheet 1 of 1 size A4
		dr	EVIN ZHONG 041014		YLxx61x000J0G
		enr	EVIN ZHONG 041014		CUSTOMER Drawing
		chr	HANKE FENG 041014		
		appd	SHI JUN 041014		
sheet index	revision sheet	A	1		