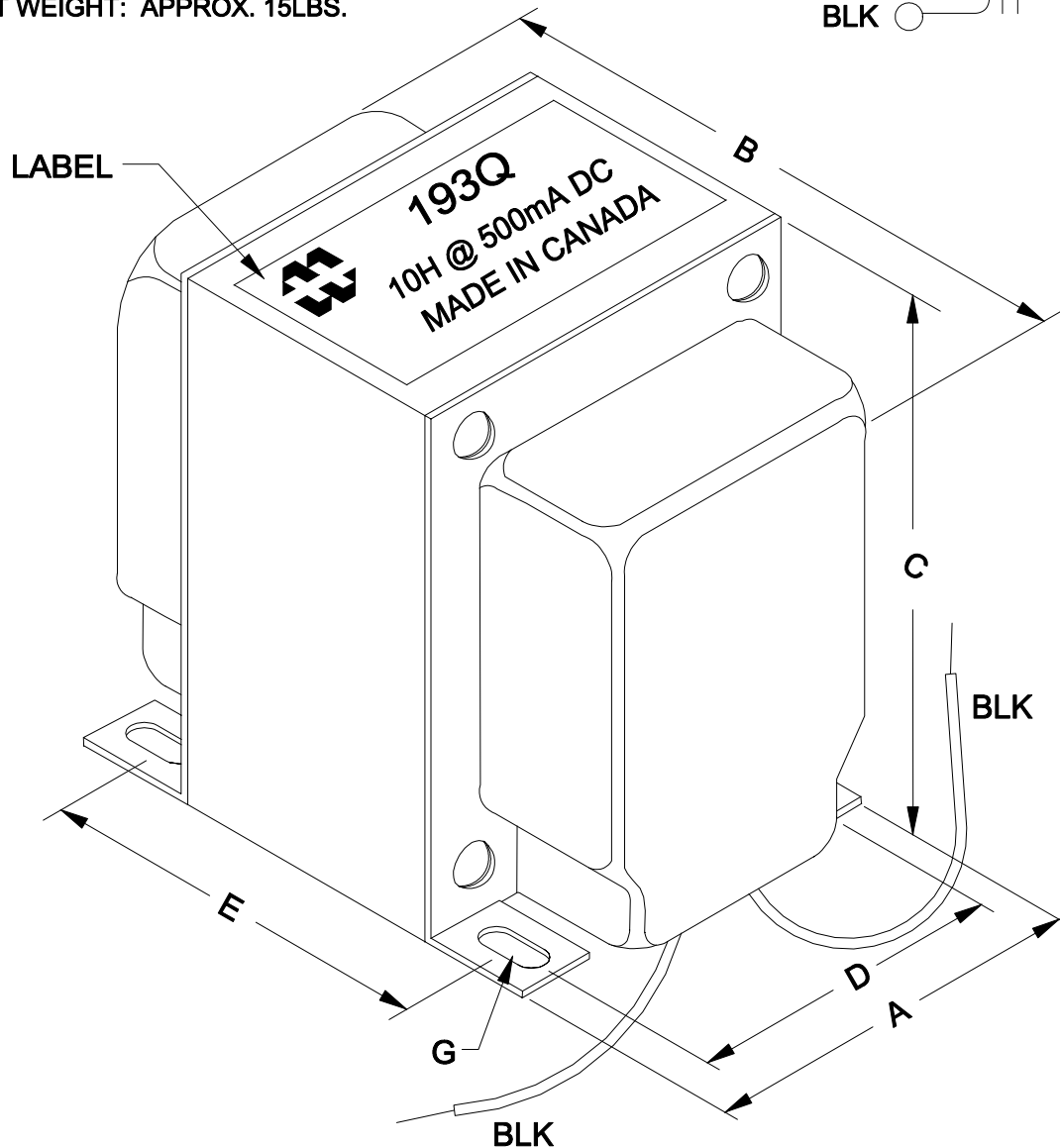
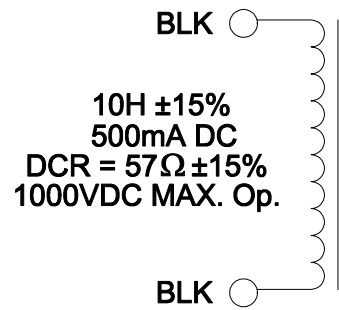


EDB193Q

DIMENSIONS:	
A	3.750" ±0.063
B	5.436" ±0.125
C	4.560" ±0.063
D	3.000" ±0.063
E	4.313" ±0.063
G	0.203" x 0.375" ±0.015

UNIT WEIGHT: APPROX. 15LBS.



NOTE: ALL LEADS 8" OUT MIN., STRIPPED .5"



**HAMMOND  
ELECTRONICS**

52 RANKIN PLACE,  
WATERLOO, ONTARIO, N2L 3Z5.  
PHONE (519) 886-6181  
FAX # (519) 886-9540

TITLE

ENCLOSED D.C. FILTER CHOKES

			DR BY CORINA ILIE
0	07/29/10	PRELIMINARY.	C.I. DATE 07/29/10
NO	DATE	REVISION	DIM IN(X)MM( )

EDB193Q