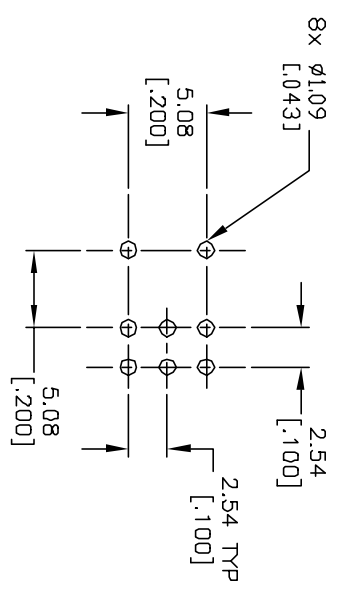
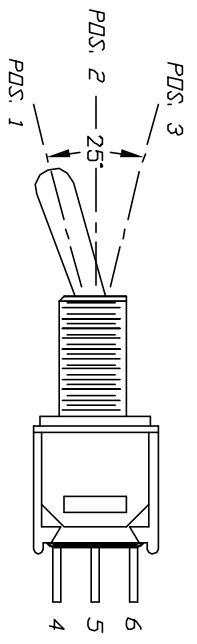
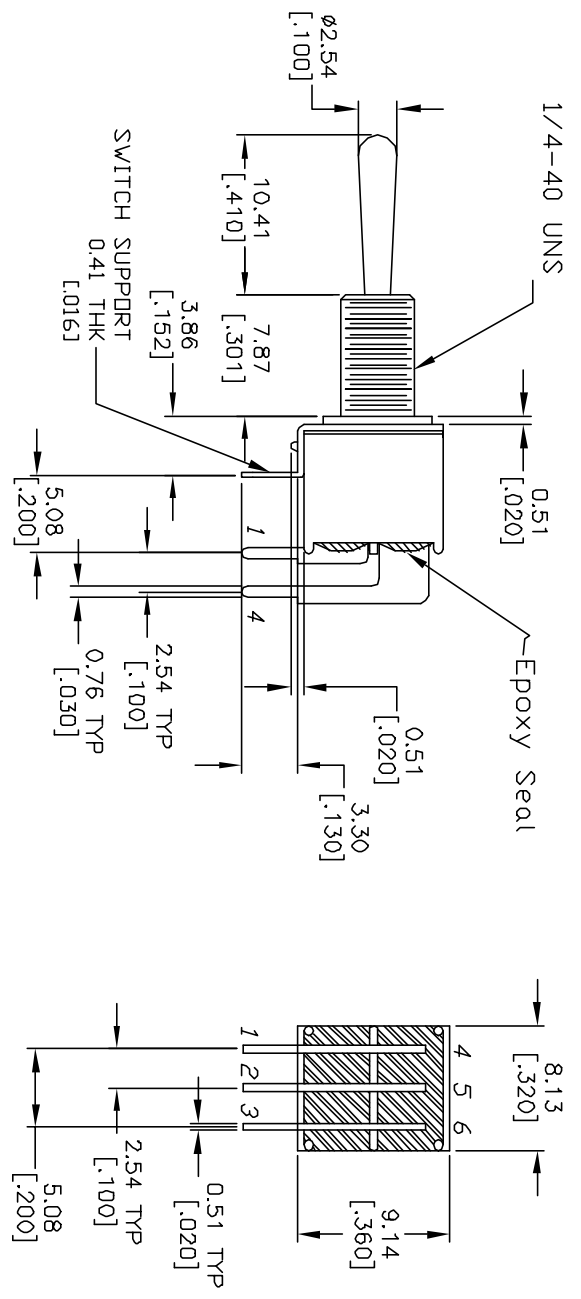
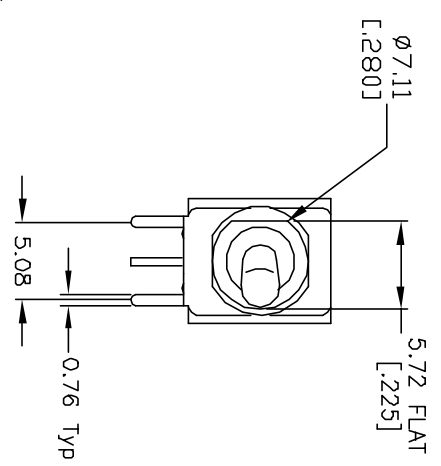


CONTACT CONFIGURATION

SWITCH FUNCTION		
POS. 1	POS. 2	POS. 3
DN	OFF	DN
2-3, 5-6	OPEN	2-1, 5-4



RECOMMENDED P.C.B. LAYOUT



NOTES:

1. ALL DIMENSIONS IN MM [INCH]
2. GENERAL TOLERANCE: X.X=±0.4 X.XX=±0.25
3. TERM. NOS. FOR REF. ONLY
4. CONTACT RATING: 0.4 VA MAX. @ 20 VAC OR DC MAX
5. FIXED TERMINAL & MOVING CONTACT:  
COPPER ALLOY W/ GOLD PLATE OVER NICKEL PLATE
6. ELECTRIC LIFE: 30,000 make-and-break cycles at full load.
7. INSULATION RESISTANCE: 1,000 MΩ MIN.
8. DIELECTRIC STRENGTH: 1,000 V RMS @sed level.
9. OPERATING TEMP.: -30°C to 85°C

A		11731	RELEASED FOR PRODUCTION	10/11/01	CJC	TITLE		200 MDP-3 T4 B5 M6 R E
REV.	ECN No.		DESCRIPTION	DATE	CHKD	SCALE	DATE	DR
						2:1	10/11/01	CJC
THE INFORMATION CONTAINED IN THIS DOCUMENT IS PROPRIETARY TO E-SWITCH AND IS NOT TO BE COPIED OR TRANSMITTED						DWG	T201233	REV
								A

