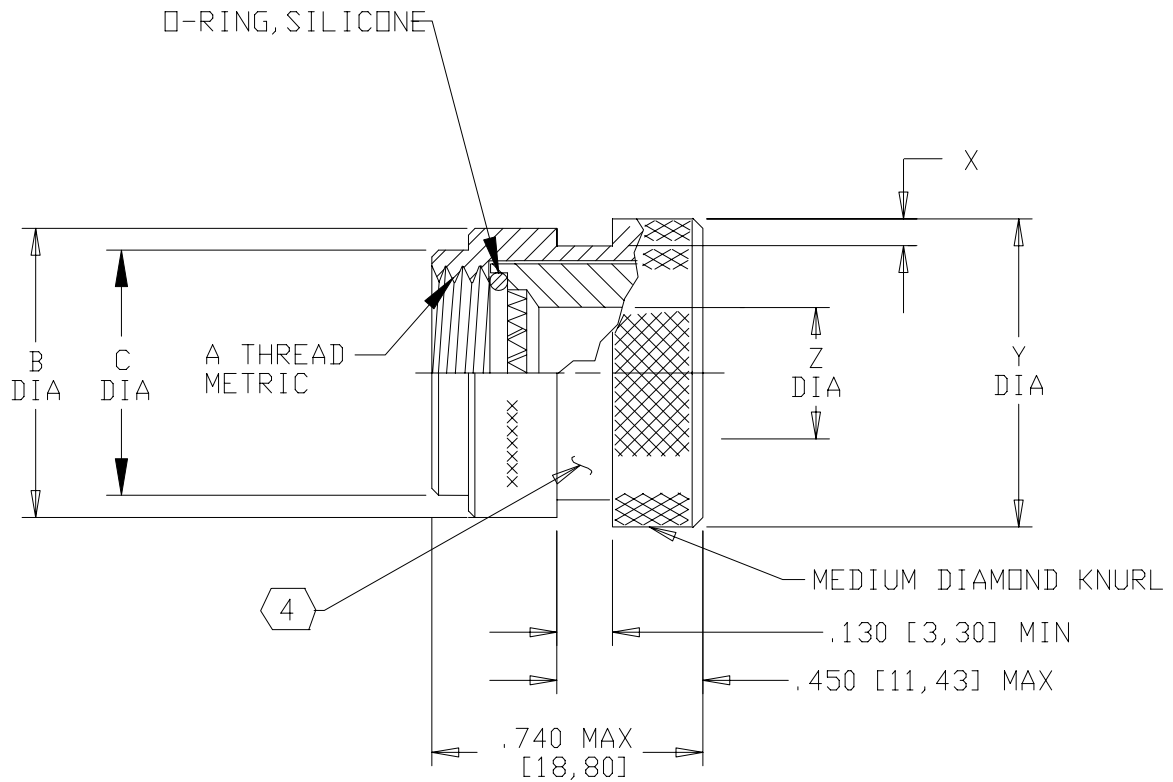


REVISIONS			
LTR	DESCRIPTION	DATE	APPROVED
D	REVISED PER DCR NO. AD95016		




NOTES:

1. THIS PRODUCT IS DESIGNED TO TERMINATE A HEAT SHRINKABLE LIPPED BOOT TO A CONNECTOR.
2. FOR ADDITIONAL DIMENSIONS, ORDERING INFORMATION AND MODIFICATIONS REFER TO CH00-0250-004.
3. ADAPTER TO BE PERMANENTLY MARKED WITH CODE IDENT. NO. AND PART NO. (E.G.: 06090-209M312-19B).
- ④ KNURL INSIDE BOOT GROOVE MAY BE SUPPLIED AT MANUFACTURER'S OPTION.
- ⑤ ADAPTER MATES TO: MIL-C-38999, SERIES III AND IV, CLASS C, F, K, AND W, D38999/20, /24, /26, /40, /46, /47 CONNECTORS, AND WHEN SO MATED SHALL PROVIDE A WATER-TIGHT SEAL MEETING THE REQUIREMENTS OF MIL-C-85049, PAR. 3.5.7.

If this document is printed it becomes uncontrolled.  
Check for the latest revision.

SPECIFICATION CONTROL DRAWING

UNLESS OTHERWISE SPECIFIED DIMENSIONS ARE IN INCHES. METRIC DIMENSIONS ARE IN BRACKETS.  DECIMALS .XXX ± — [ mm] .XX ± — [ mm] .X ± — [ mm]	DRAWN R. RAMIREZ	DATE 08-03-92		Tyco Electronics Corporation 300 Constitution Drive Menlo Park, CA. 94025 U.S.A.		
	CHECKED W.C. GAY	DATE 2/1/94				
	APPROVED	DATE	TITLE APAPTER, SOLID CODE 40			
	APPROVED	DATE	CAD NAME \ACAD12\209M3XX	SIZE A	CODE IDENT. NO. 06090	DWG. NO. 209M3XX
ANGLES .X ± —	THIRD ANGLE PROJECTION		DO NOT SCALE THIS DWG			

BASE PART NUMBER	SHELL SIZE 		A METRIC THREAD CLASS 6H	B DIA MAX	X MIN	Y +.000 -.030 [+.00] [-0.76]	Z DIA MIN	C DIA MAX
	COML	MIL						
209M308	9	A	M12 X 1.0	.70 [17,8]	.045 [1,15]	.719 [18,26]	.250 [6,35]	.599 [15,24]
209M310	11	B	M15 X 1.0	.82 [20,8]	.045 [1,15]	.844 [21,44]	.375 [9,52]	.717 [18,21]
209M312	13	C	M18 X 1.0	.94 [23,9]	.045 [1,15]	.969 [24,61]	.500 [12,70]	.834 [21,18]
209M314	15	D	M22 X 1.0	1.15 [29,2]	.069 [1,75]	1.217 [30,91]	.625 [15,88]	.990 [25,14]
209M316	17	E	M25 X 1.0	1.29 [32,7]	↑	1.354 [34,40]	.750 [19,05]	1.107 [28,12]
209M318	19	F	M28 X 1.0	1.41 [35,8]		1.476 [37,50]	.812 [20,62]	1.224 [31,09]
209M320	21	G	M31 X 1.0	1.46 [37,1]	↓	1.531 [38,89]	.937 [23,80]	1.341 [34,06]
209M322	23	H	M34 X 1.0	1.59 [40,4]		1.656 [42,06]	1.062 [26,97]	1.453 [36,9]
209M324	25	J	M37 X 1.0	1.71 [43,4]	.069 [1,75]	1.781 [45,24]	1.188 [30,18]	1.570 [39,88]

If this document is printed it becomes uncontrolled.  
Check for the latest revision.

SIZE A	CODE IDENT. NO. 06090	DWG. NO. 209M3XX	REV D
DO NOT SCALE THIS DWG		CAD NAME \ACAD12\209M3X-2	SHEET 2 OF 2