

4

3

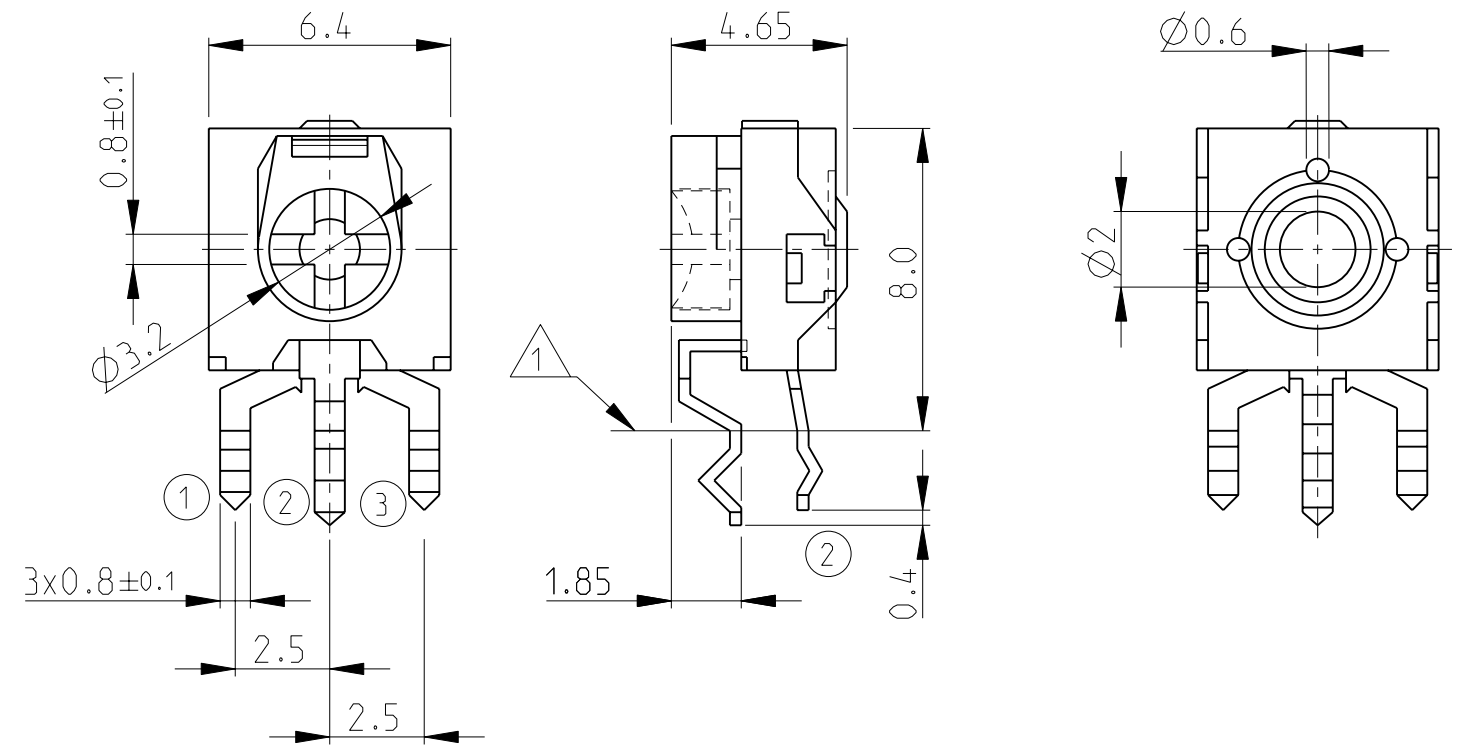
2

1

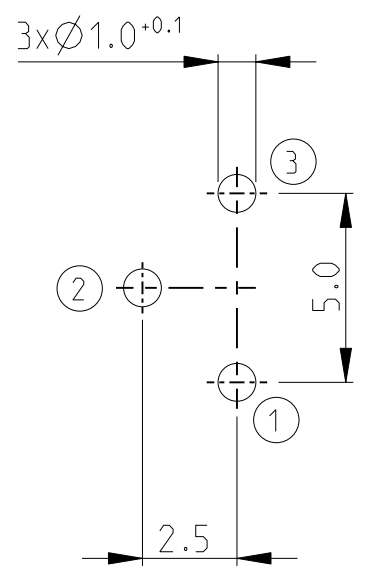
THIS DRAWING IS UNPUBLISHED. RELEASED FOR PUBLICATION 2008  
 © COPYRIGHT 2008 BY - ALL RIGHTS RESERVED.

LOC	DIST	REVISIONS			
P	LTR	DESCRIPTION	DATE	DWN	APVD
E	B	BA2	REVISED PER ECO-11-005150	29MAR2011	RK HMR

CT6V AS SHOWN

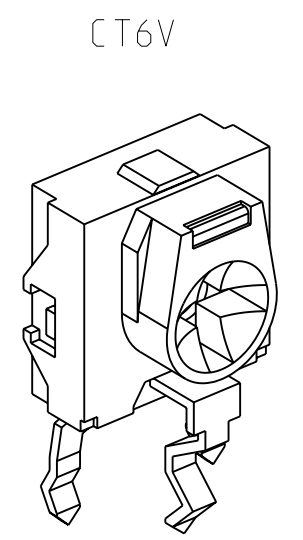


PCB LAYOUT PLAN FOR CT6V

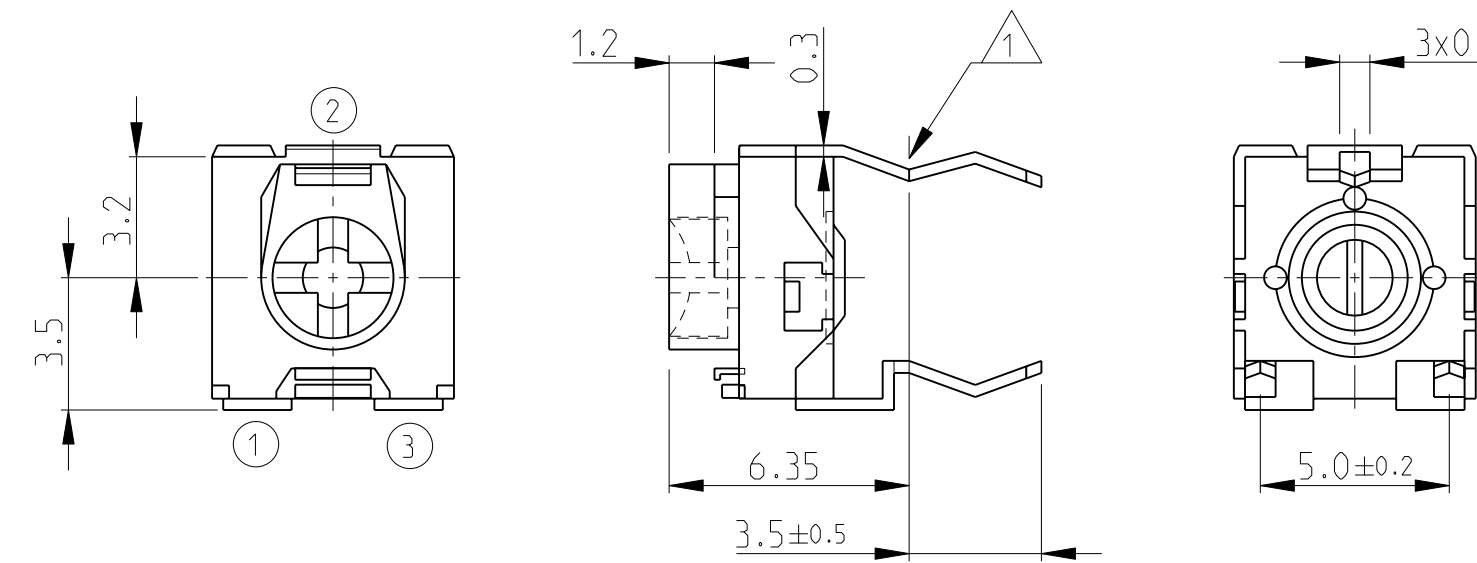


1 MOUNTING SURFACE  
 2 FOR FURTHER INFORMATION SEE DATA SHEET FOR CT6 SERIES-ECONOMY TRIMMERS

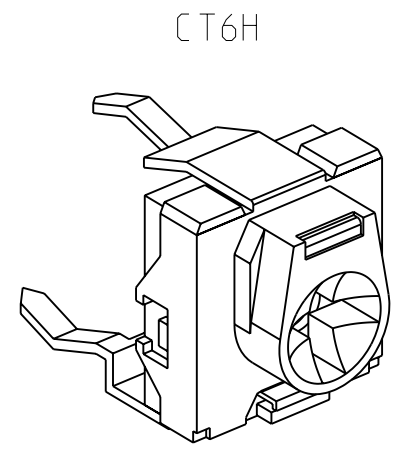
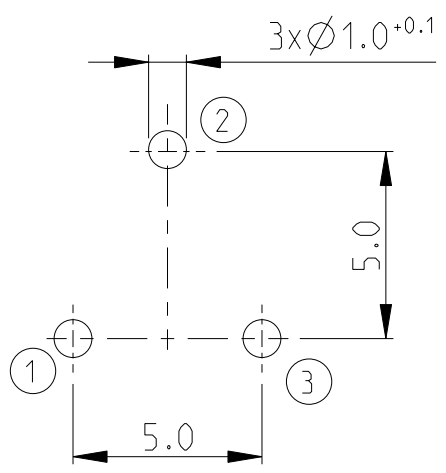
RoHS Compliant




CT6H AS SHOWN



PCB LAYOUT PLAN FOR CT6H



THIS DRAWING IS A CONTROLLED DOCUMENT.		DWN	SUBHASH.M	21-OCT-08	 TE Connectivity	ECONOMY TRIMMERS		SERIES CT6	
DIMENSIONS: mm		CHK	PRAKASH.S	21-OCT-08		-		-	
TOLERANCES UNLESS OTHERWISE SPECIFIED:		APVD	STEPHEN.P	21-OCT-08		-		-	
0 PLC ± 0.5 1 PLC ± 0.2 2 PLC ± 0.1 3 PLC ± - 4 PLC ± - ANGLES ± 5°		PRODUCT SPEC		-		APPLICATION SPEC		-	
MATERIAL -		FINISH -		WEIGHT -		SIZE	CAGE CODE	DRAWING NO	RESTRICTED TO
-		-		-		A3	00779	1623891	-
CUSTOMER DRAWING						SCALE	1:1	SHEET	1 OF 1
						REV BA2			