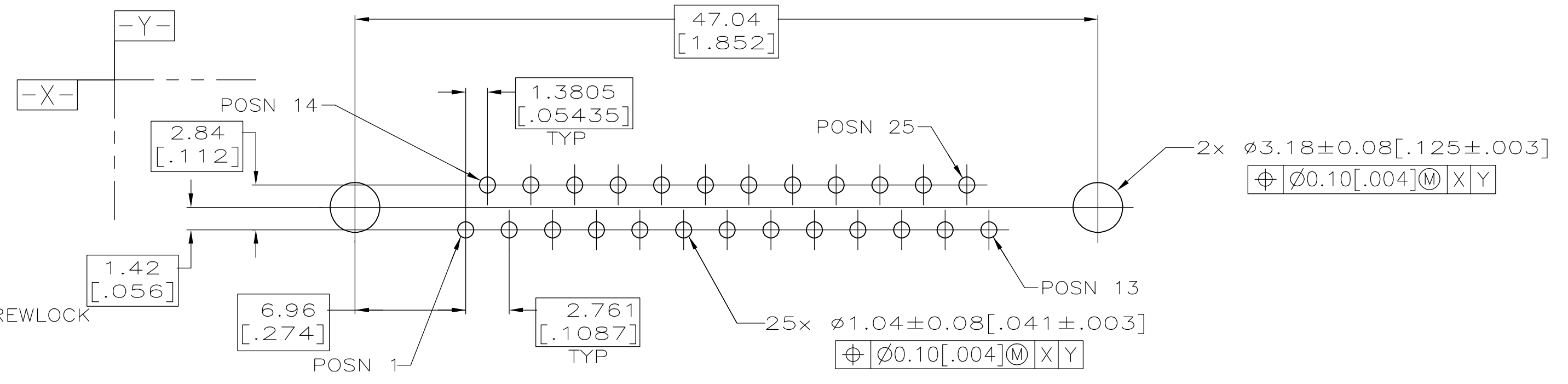
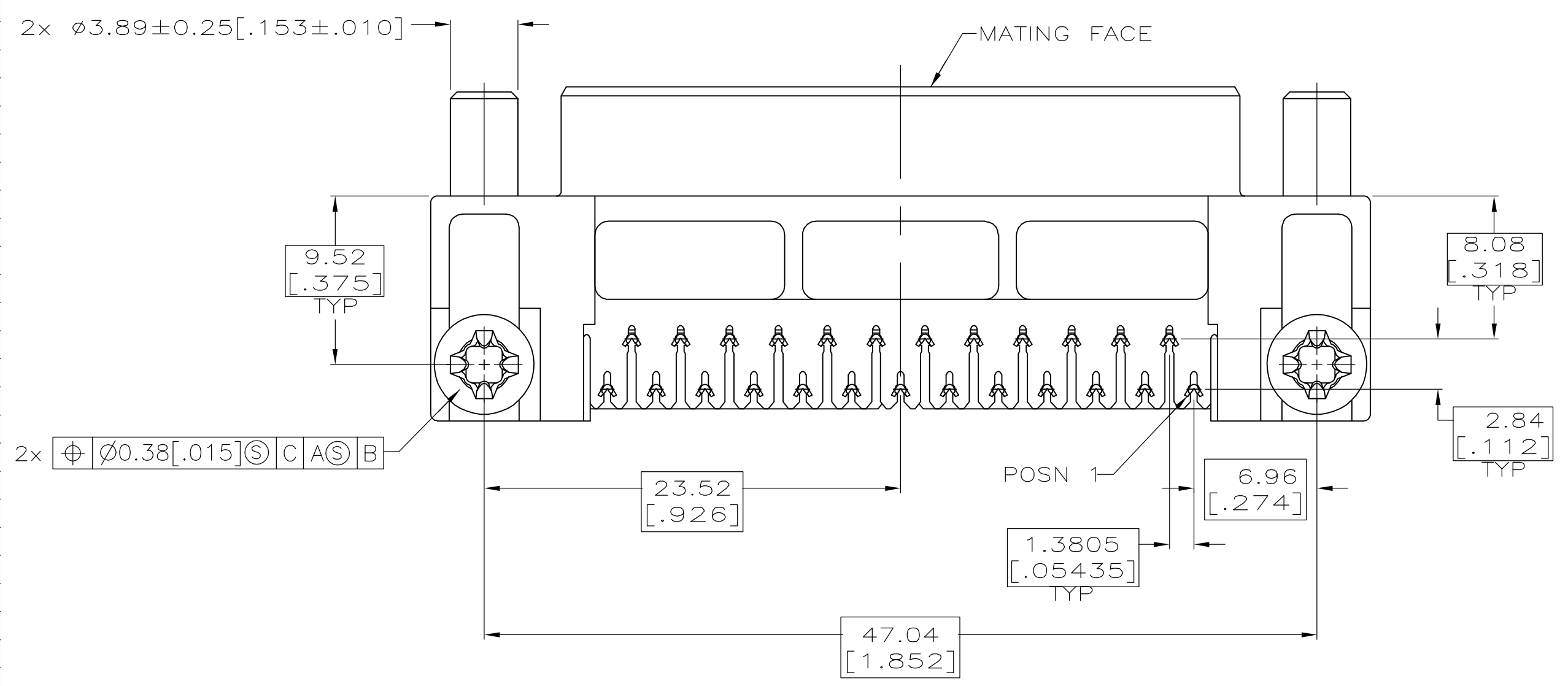
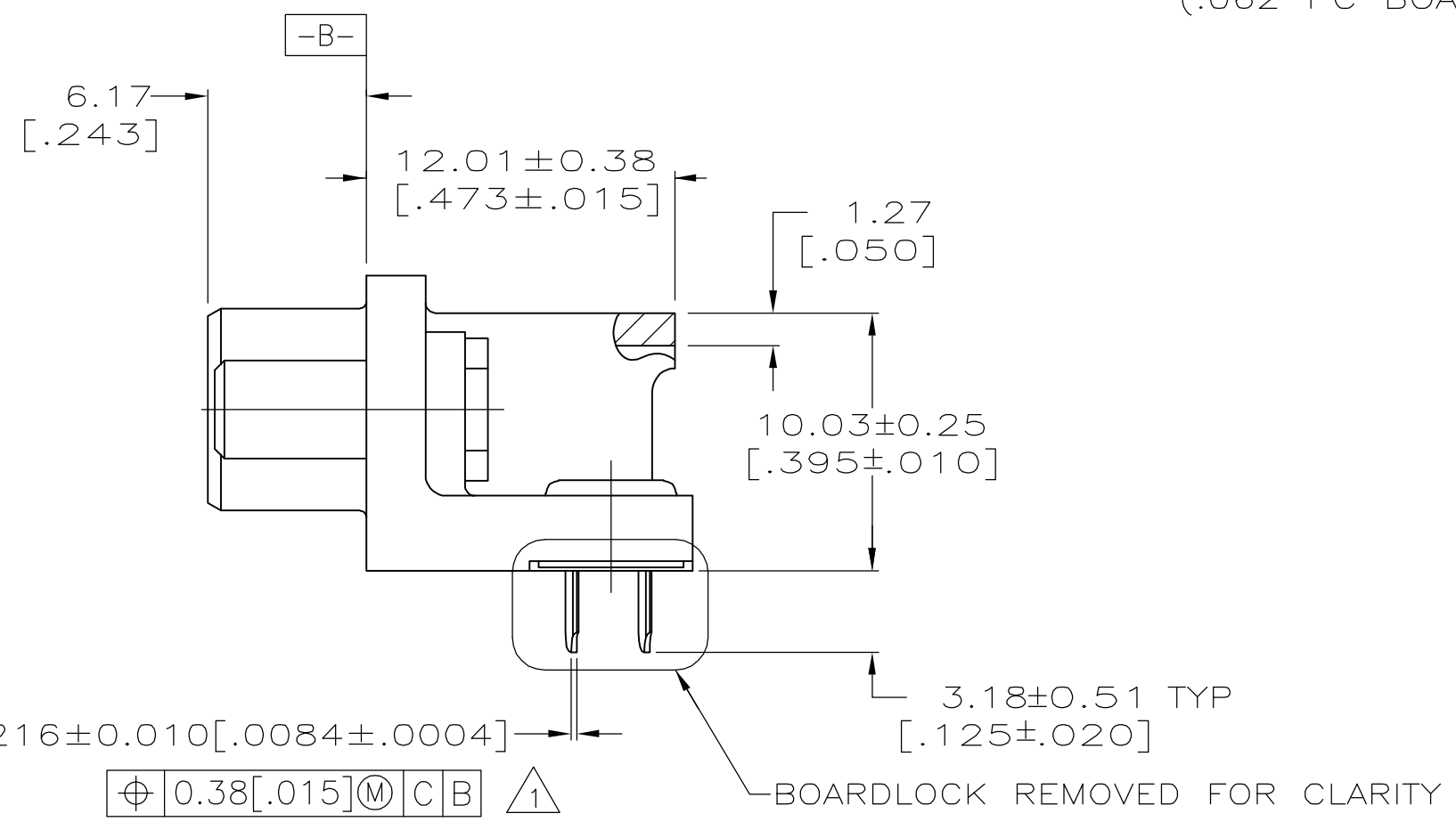
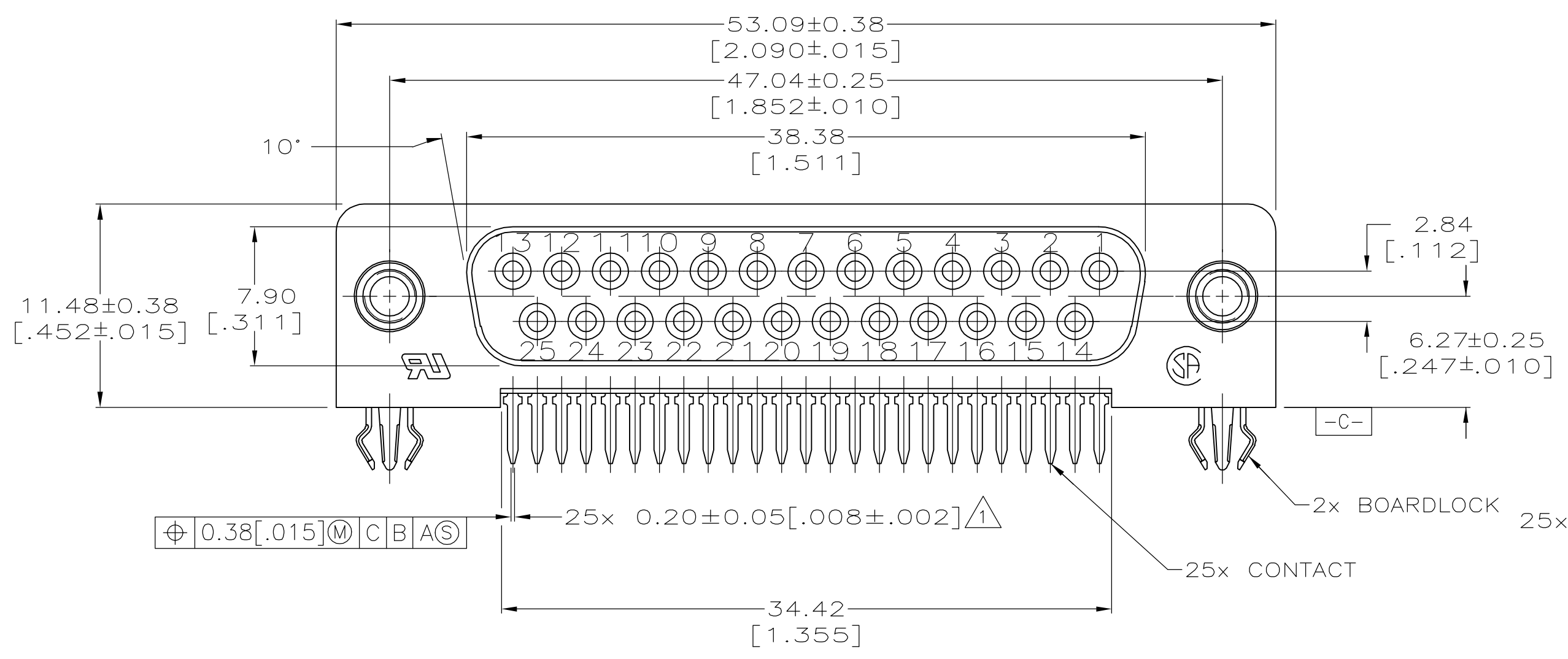


TYCO, PART NO & DATE CODE, MARKED IN AREA INDICATED
 CL OF DATUM A



PC BOARD MOUNTING DIMENSIONS
 (.062 PC BOARD THICKNESS)



- 1 POSITION TOLERANCE APPLIES AT TIP ONLY.
- 2 HOUSING: FLAME RETARDANT, UL94V-0 RATED, GLASS FILLED NYLON OR POLYESTER, COLOR BLACK.
 CONTACTS: PHOSPHOR BRONZE.
 EYELETS: BRASS.
 SCREWLOCKS: ZINC.
 BOARDLOCKS: COPPER ALLOY.
- 3 EYELETS: 2.54 µm [.000100] MIN TIN OVER COPPER FLASH.
 BOARDLOCKS: 3.81 µm [.00015] MIN TIN OVER 1.27 µm [.000050] MIN NICKEL.
 CONTACTS: 0.76 µm [.00030] MIN GOLD FOR A LENGTH OF 1.52 [.060] MIN FROM MATING END, 2.54 µm [.0001] MIN TIN FOR A LENGTH OF 3.68 [.145] MIN FROM OPPOSITE END, BOTH OVER 1.27 µm [.000050] MIN NICKEL.
 SCREWLOCKS: CLEAR CHROMATE COATING.

5748981-1
 PART NO

**COPYRIGHT 2005
 TYCO ELECTRONICS CORP
 ALL RIGHTS RESERVED**

THIS DRAWING IS A CONTROLLED DOCUMENT.		DWN G. PETERS 22SEP05	22SEP05	Tyco Electronics Corporation Harrisburg, PA 17105-3608
DIMENSIONS: mm [INCHES]		CHK S. BOLASH 22SEP05	22SEP05	
TOLERANCES UNLESS OTHERWISE SPECIFIED:		APVD M. WALMSLEY 22SEP05	NAME	RECEPTACLE ASSEMBLY, SIZE 3, 25 POSN, ALL PLASTIC, RIGHT ANGLE .318 SERIES, AMPLIMITE III
0 PLC ± -	1 PLC ± -	PRODUCT SPEC	108-1226	SIZE CAGE CODE DRAWING NO
2 PLC ± 0.13 [.005]	3 PLC ± -	APPLICATION SPEC	114-40027	RESTRICTED TO
4 PLC ± -	ANGLES ± 2	FINISH	WEIGHT	A1 00779 C=5748981
MATERIAL		CUSTOMER DRAWING		SCALE 4:1 SHEET 1 OF 1 REV 0