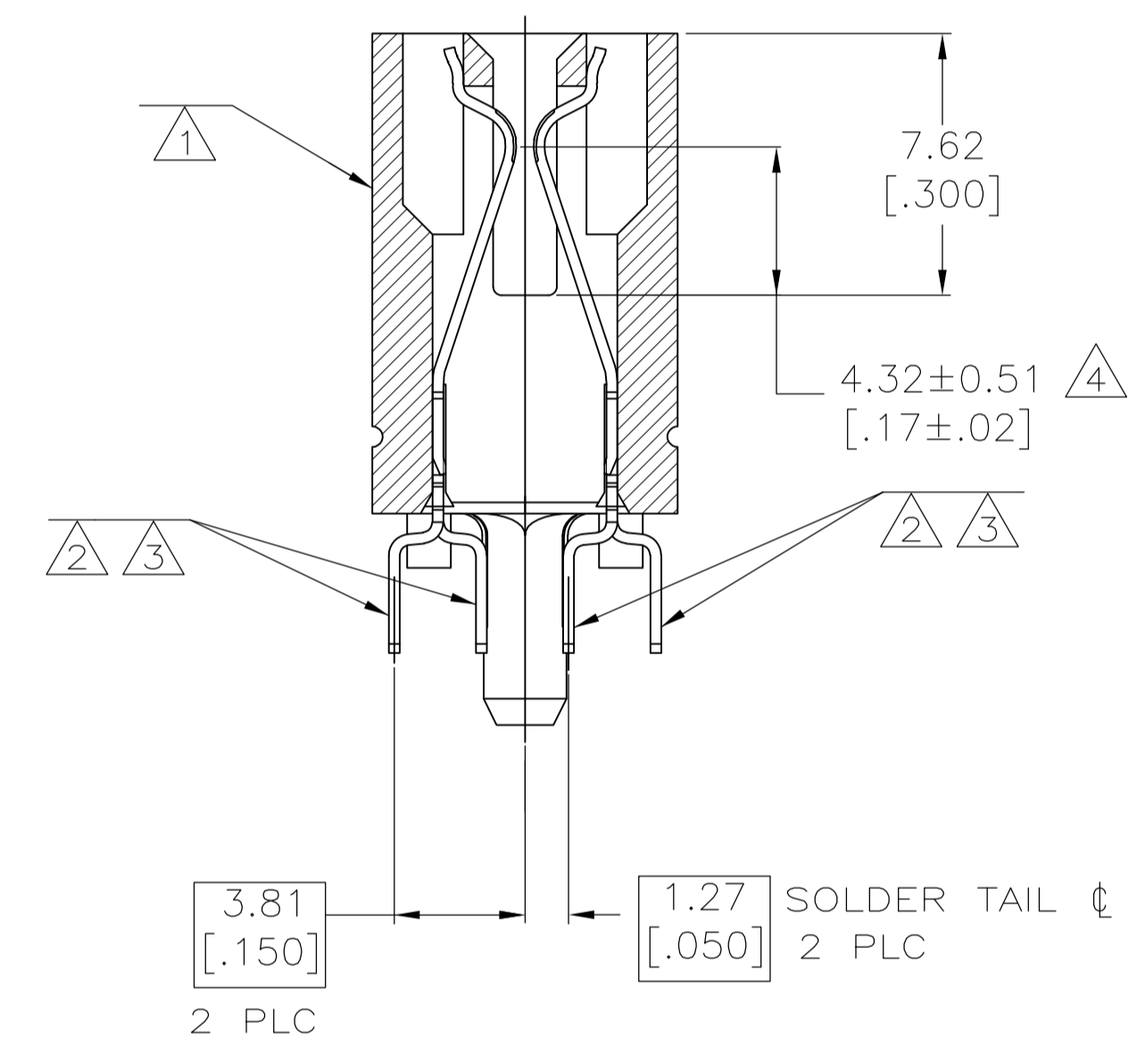
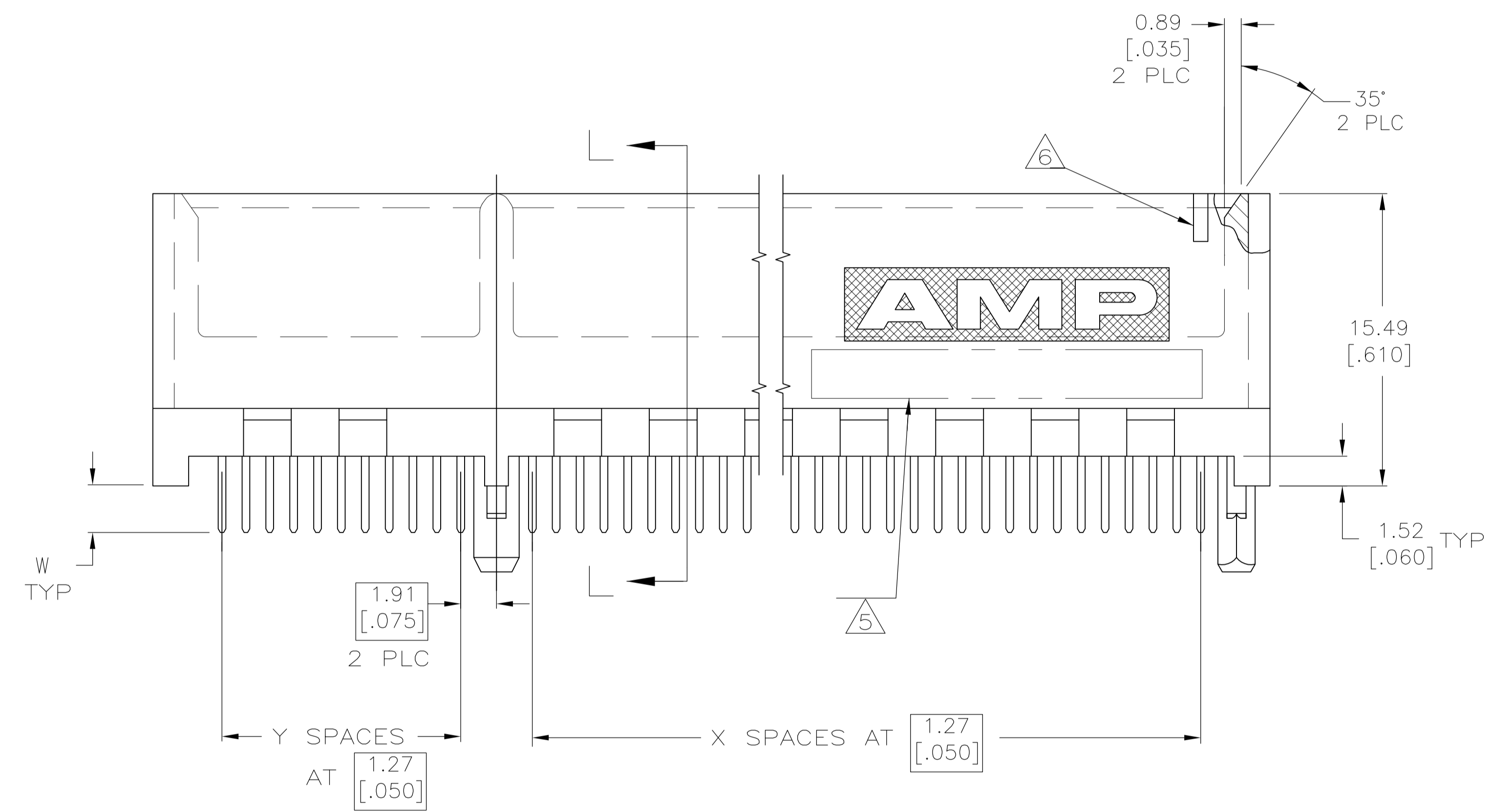
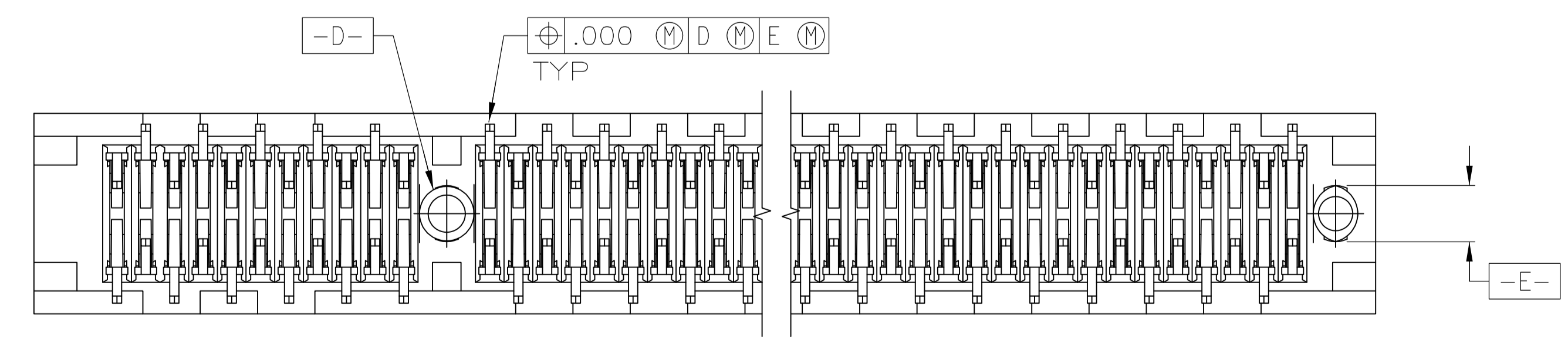


- ① HOUSING: HIGH TEMPERATURE THERMOPLASTIC. COLOR: BROWN.
- ② CONTACT: PHOSPHOR BRONZE.
- ③ CONTACT FINISH: .000100 MIN NICKEL ALL OVER. .000030 MIN GOLD OVER NICKEL IN CONTACT AREA. .000100 MIN MATTE TIN OVER NICKEL ON SOLDER TAILS.
- ④ DISTANCE FROM CONTACT POINT TO BOTTOM OF CARD SLOT.
- ⑤ AMP PART NUMBER, DATE CODE AND CSA LOGO MARKED IN APPROXIMATE AREA SHOWN.
- ⑥ PIN ONE IDENTIFIER NOTCH ONLY ON PART NUMBERS INDICATED.
- ⑦ OBSOLETE PARTS: OBSOLETE CIS STREAMLINING PER D.RENAUD/D.SINISI



SECTION L-L  
SCALE 8:1

⑦ OBSOLETE	3.18 [0.125]	NO	B	45.72 [1.800]	44.70 [1.760]	65.79 [2.59]	15.49 [0.610]	10	33	45	↑=5650090-4
	3.56 [0.140]	NO	A	26.67 [1.050]	25.65 [1.010]	46.74 [1.84]	15.49 [0.610]	10	18	30	1-5650090-2
⑦ OBSOLETE	3.56 [0.140]	NO	C	55.88 [2.200]	54.86 [2.160]	110.24 [4.34]	49.78 [1.960]	37	41	80	↑=5650090-1
	2.54 [0.100]	NO	C	55.88 [2.200]	54.86 [2.160]	110.24 [4.34]	49.78 [1.960]	37	41	80	5650090-9
	2.54 [0.100]	NO	B	17.78 [0.700]	16.76 [0.660]	37.85 [1.49]	15.49 [0.610]	10	11	23	5650090-7
	2.54 [0.100]	NO	A	26.67 [1.050]	25.65 [1.010]	46.74 [1.84]	15.49 [0.610]	10	18	30	5650090-6
	2.54 [0.100]	NO	A	39.37 [1.550]	38.35 [1.510]	59.44 [2.34]	15.49 [0.610]	10	28	40	5650090-3
	2.54 [0.100]	NO	B	45.72 [1.800]	44.70 [1.760]	65.79 [2.59]	15.49 [0.610]	10	33	45	5650090-2
	2.54 [0.100]	YES	A	59.69 [2.350]	58.67 [2.310]	79.76 [3.14]	15.49 [0.610]	10	44	56	5650090-1
W	PIN ONE IDENTIFIER	HOLE PATTERN	V	U	T	S	Y	X	NO OF DUAL POSN	PART NUMBER	



SEE SHEET 2 FOR HOLE PATTERNS

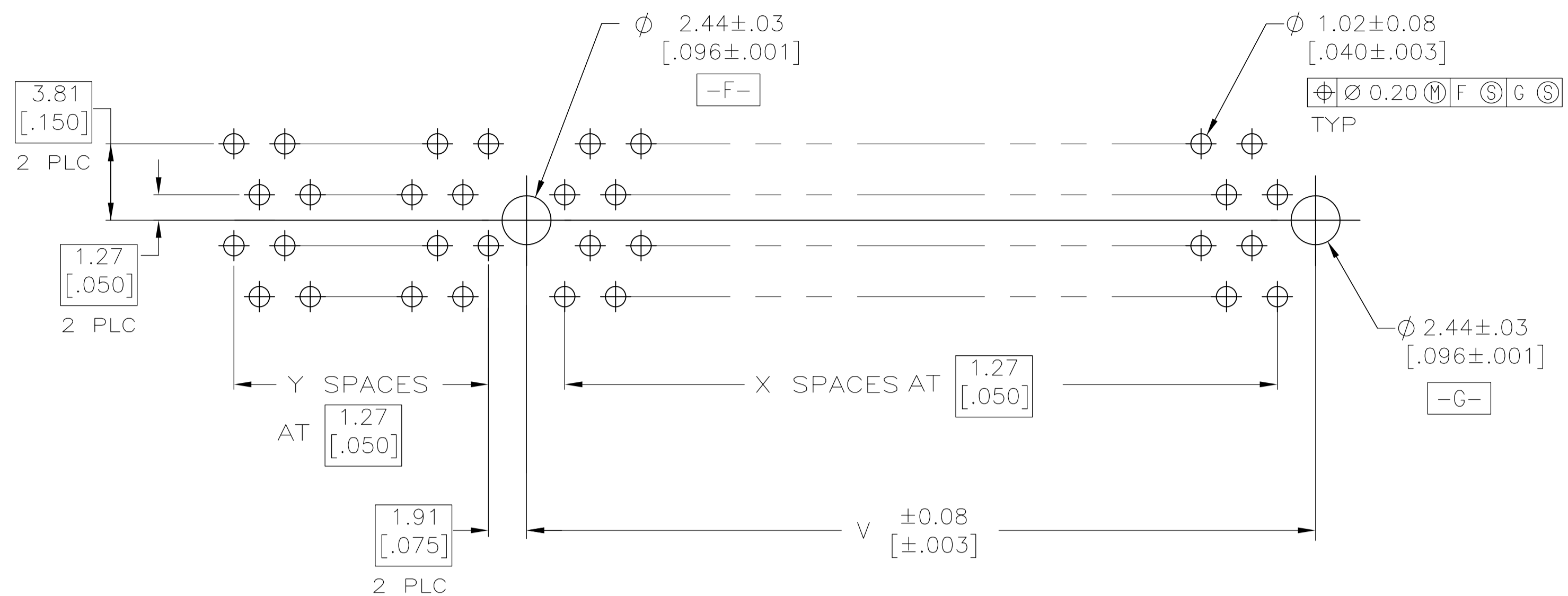
THIS DRAWING IS A CONTROLLED DOCUMENT. DIM: AL FRANTUM 24 JAN 05. CJK: AL FRANTUM 24 JAN 05. APVD: [Signature]

**STE** TE Connectivity

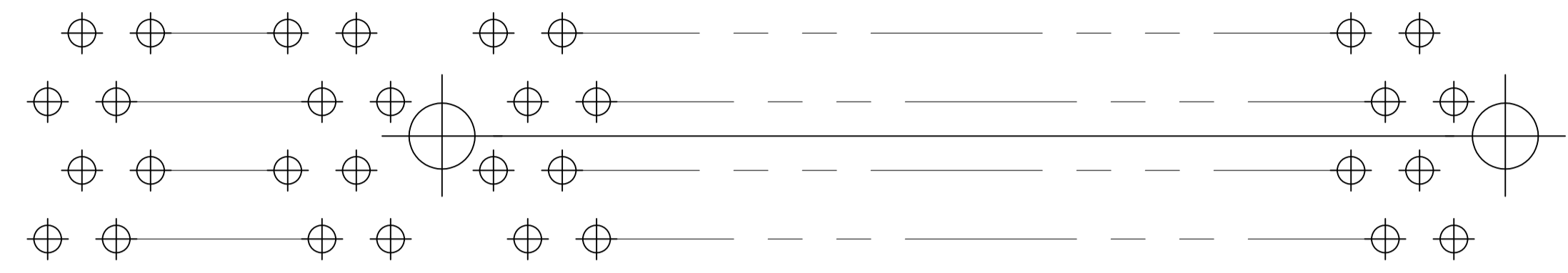
PRODUCT SPEC: 108-14034  
APPLICATION SPEC: 114-26012

SIZE: A1 CASE CODE: 00779 DRAWING NO: 5650090

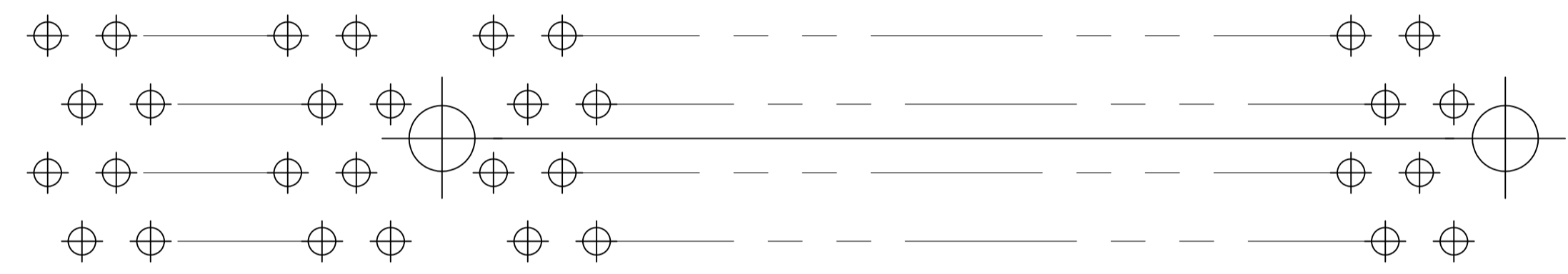
CUSTOMER DRAWING SCALE: 5:1 SHEET: 1 OF 2 REV: P



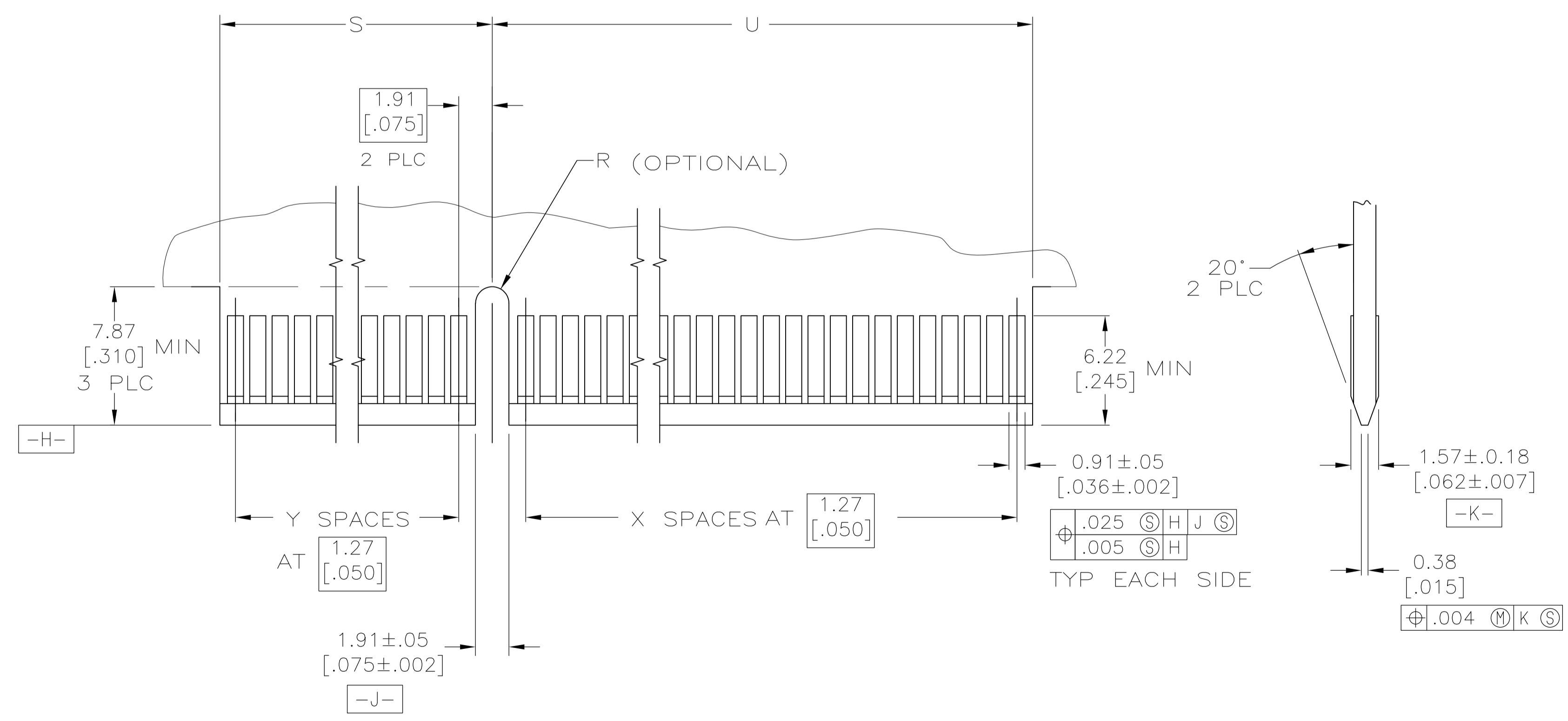
RECOMMENDED CONNECTOR MOUNTING HOLE PATTERN A  
(CONNECTOR SIDE SHOWN)



RECOMMENDED CONNECTOR MOUNTING HOLE PATTERN B  
(CONNECTOR SIDE SHOWN)



RECOMMENDED CONNECTOR MOUNTING HOLE PATTERN C



RECOMMENDED MATING BOARD EDGE CONFIGURATION  
(CONNECTOR SIDE SHOWN)

THIS DRAWING IS A CONTROLLED DOCUMENT.		DIN AL FRANTUM 24 JAN 05	TE Connectivity
DIMENSIONS: mm		OK AL FRANTUM 24 JAN 05	
TOLERANCES UNLESS OTHERWISE SPECIFIED: 0 PLC ± - 1 PLC ± - 2 PLC ± - 3 PLC ± - 4 PLC ± - ANGLES ± °		NAME PRODUCT SPEC 108-14034 APPLICATION SPEC 114-26012	RESTRICTED TO SIZE A1
MATERIAL SEE SHEET 1	FINISH SEE SHEET 1	WEIGHT -	CUSTOMER DRAWING SCALE 5:1 SHEET 2 OF 2 REV P