

1

2

3

4

5

6

7

A

B

C

D

E

F

G

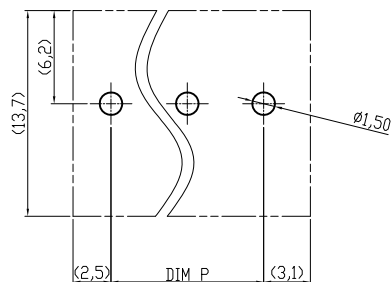
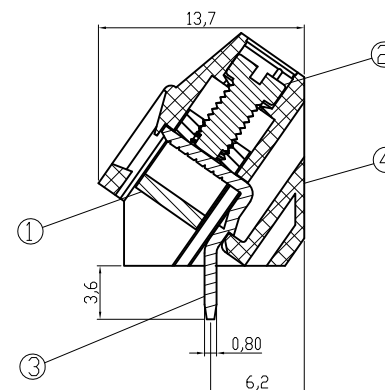
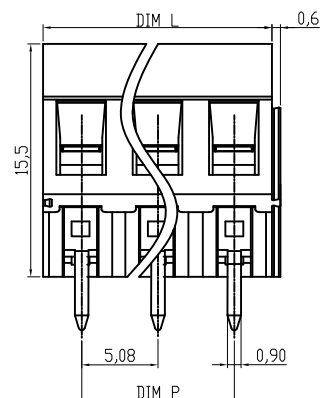
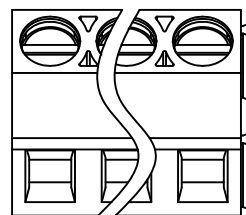
H

Material

- ① Clamp: Brass, Ni plated
- ② Terminal screw: Steel Zinc plating "-" slot type
- ③ Wire guard solder pin: Brass, Tin plated
- ④ Terminal housing: Thermoplastic (UL94V-0), GREEN

Electrical UL

- Voltage rating: 300VAC
- Current rating: 10A
- Wire range:
- Solid wire(AWG): 12-24
- Stranded wire(AWG): 12-24
- Torque(Lb-In): 3.5
- Screw: M2.5
- Wire strip length: 6-7mm
- Withstanding Voltage: 1.6KV
- Operating temperature: -40°C to +115°C
- Soldering temperature: 250°C±10°C/5 Sec
- Safety Approval:



RECOMMENDER PCB LAYOUT

DIMENSION

L	Nx5.08
P	(N-1)x5.08

N=Number of poles

Poles	Tolerance
	DIM L&DIM P
4p-8p	±0.15
9p-14p	±0.25
15p-20p	±0.35
21p-24p	±0.40

RoHS compliant

Scale	1:1						Date	Name	Customer-No.	
TOLERANCE							Drawn	19.04.2010	Alex	
X.	±0.50						Approved	19.04.2010	Hellwig	
X.X	±0.30									
X.XX	±0.10									
DIM	TOL									
X.°	±1°									
		①	Drawn	19.04.2010	Alex			Drawing-No.		
Angle	TOL	Id.	Modification	Date	Name			ASS 4102 CO		rev00
									Replace	Sheet

1

2

3

4

5

6

7

A

B

C

D

E

F

G

H