



Copyright FCI.



FCIconnect.com



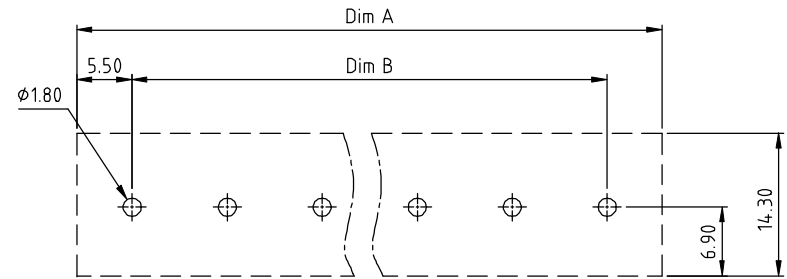
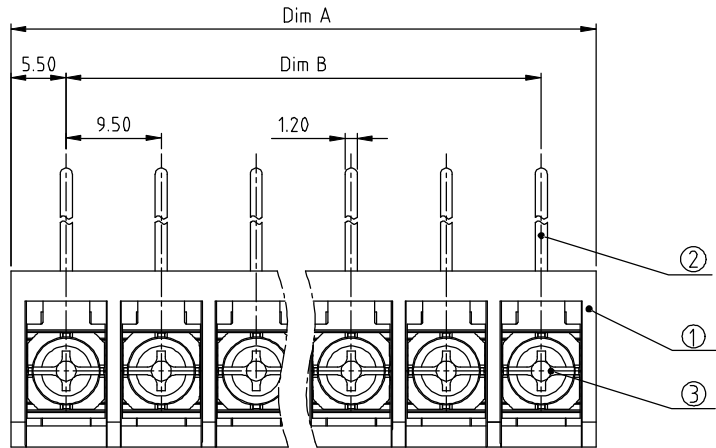
1

2

3

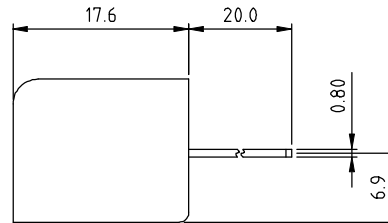
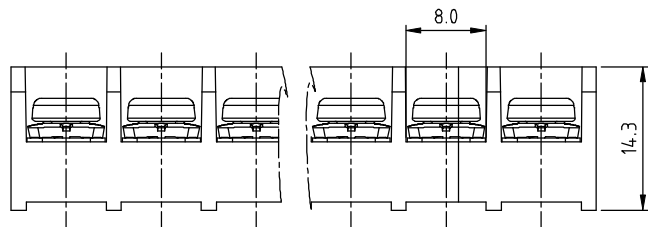
4

PRODUCT NUMBER	PITCH
YK446xx0x0JOG	9.50 mm



RECOMMENDED P.C.B LAYOUT  
TOP VIEW

A



MATERIALS ELECTRICAL cULus CQC  
 RATED VOLTAGE & CURRENT: 300 V, 30A / 300V 24A  
 WITHSTAND VOLTAGE: AC2500V/min  
 INSULATION RESISTANCE: 1000 MΩ OR MORE AT DC 500 V  
 OPERATING TEMPERATURE RANG: -40 °C ~ +115 °C  
 SCREW TORQUE VALUE: 10.54 Lb-In. / 0.8Nm  
 WIRE RANGE: 22 - 10 AWG / 22-14 AWG  
 1) MOLDED PARTS: Thermoplastic, UL 94 V-0 BLACK  
 2) TERMINAL: BRASS, 0.8t  
 3) TERMINAL SCREWS: STEEL, M3.5  
 APPROVAL:

A

DIMENSION

Dim A	N×9.5+1.5
Dim B	(N-1)×9.5

N=Number of poles

Poles	Tolerance
2p-4p	±0.20
5p-8p	±0.25
9p-16p	±0.35
17p-23p	±0.40
24p-30p	±0.50

PART NO.: YK 446xx 0 x 0 JOG

No. of poles  
 02 2 poles  
 03 3 poles  
 ... ..  
 30 30 poles

Plated		
Code	Terminal	Screw
0	G/F	G/F
1	G/F	Zinc
2	Tin	G/F
3	Tin	Zinc

RoHS compliant  
(lead<4%)  
In copper Alloy

B

mat'l. code		surface ASME Y14.5	tolerance ASME Y14.5	projection 	product family TERMINAL BLOCK
ltr	ecn no	dr	date	tolerances unless otherwise specified	title TERMINAL BLOCK
				angles X±0.5	BARRIER TYPE
				flat X.X±0.3	dwg no YK446xx0x0JOG
				X'±1'	sheet 1 of 1 size A4
				scale MM	type CUSTOMER Drawing
				dr EVAN LU 061614	
				enr EVAN LU 061614	
				chr HANKE FENG 061614	
				appd SHI JUN 061614	
sheet index	revision sheet	A	1		

B