

1

2

3

4

5

6

7

A

B

C

D

E

F

A

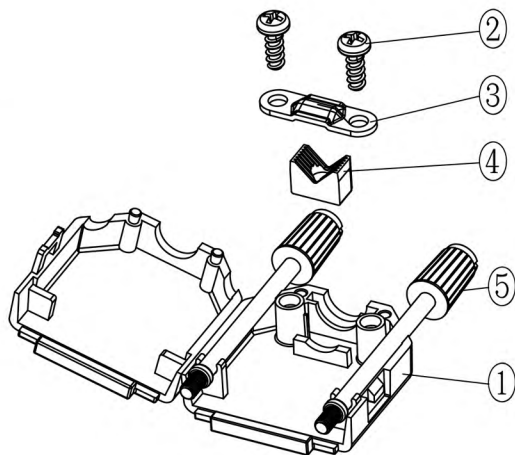
B

C

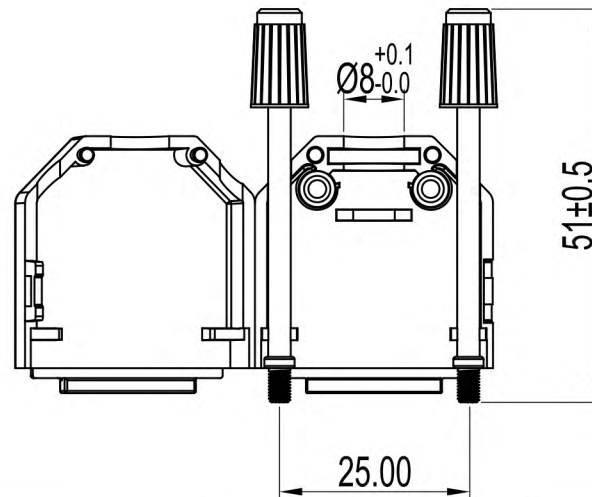
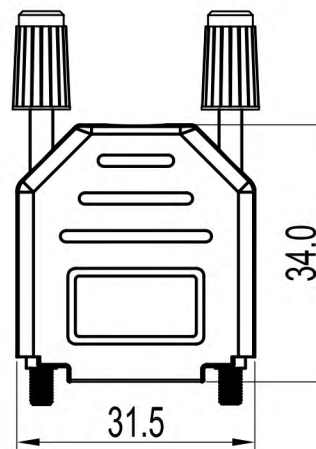
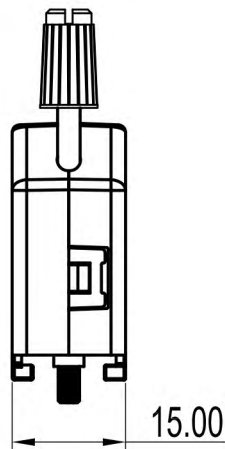
D

E

F



Item	QTY	Part description
1	1	Plastic Cover
2	2	EPS 3x8 Self Tapping Screw
3	1	Cable Clamp
4	1	Plastic Insert
5	2	Jackscrews UNC4-40x51mm




TECHNICAL SPECIFICATIONS

Material: Plastic (PA), UL94-HB
 Colour: Light Grey
 Operating Temperature: -55°C to +110°C
 Thumbscrews: UNC 4-40

No. of contacts: 09-15-25-37-50

RoHS compliant
Unit: mm

Scale	Free				Date	Name	Customer-No.
TOLERANCE					Drawn	17.08.2017	S.Bölling
0~6	±0.10				Approved	17.08.2017	S.Bölling
6~30	±0.20						
30~120	±0.30						
120~400	±0.50						
DIM	Tol						
Angle	±1°	©	Drawn	17.08.2017	S.Bölling		
Angle	Tol	Id.	Modification	Date	Name		

ASSMANN WSW-No.
ACOV-SUB-09NB13

Drawing-No.
ASS_5254_CO rev00
 Replace Sheet 1/5

1

2

3

4

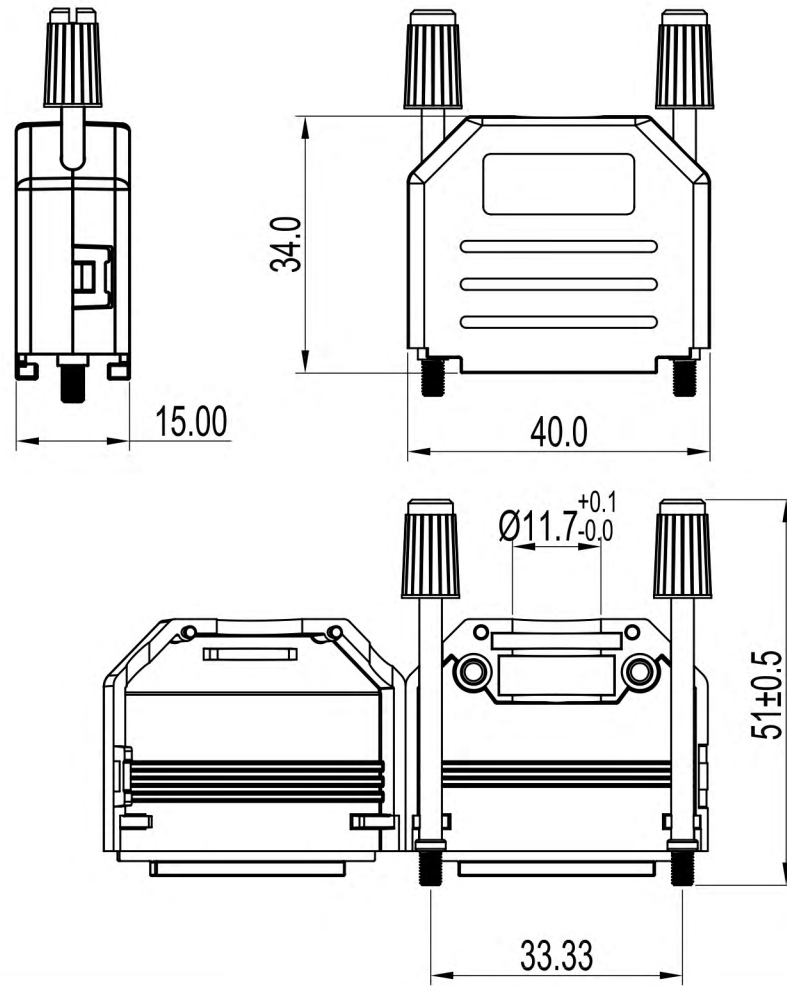
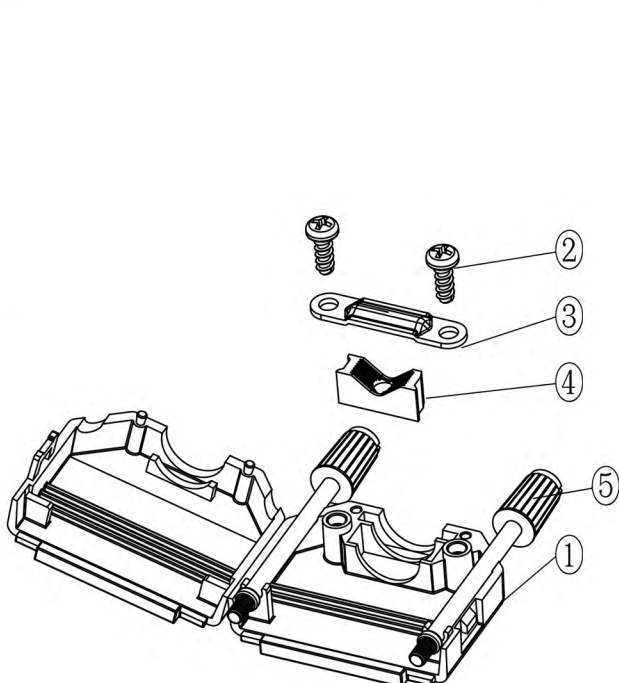
5

6

7

A
B
C
D
E
F
G
H

A
B
C
D
E
F
G
H



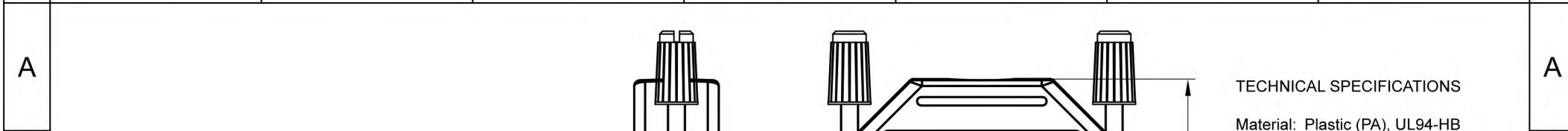
TECHNICAL SPECIFICATIONS
 Material: Plastic (PA), UL94-HB
 Colour: Light Grey
 Operating Temperature: -55°C to +110°C
 Thumbscrews: UNC 4-40
 No. of contacts: 09-15-25-37-50

Item	QTY	Part description
1	1	Plastic Cover
2	2	EPS 3x8 Self Tapping Screw
3	1	Cable Clamp
4	1	Plastic Insert
5	2	Jackscrews UNC4-40x51mm

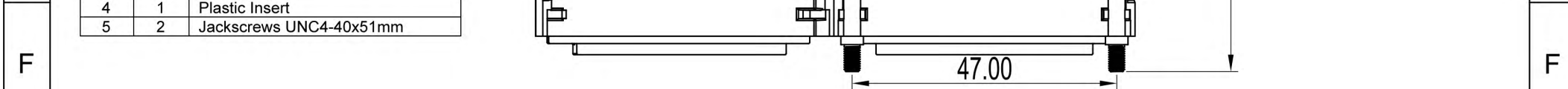
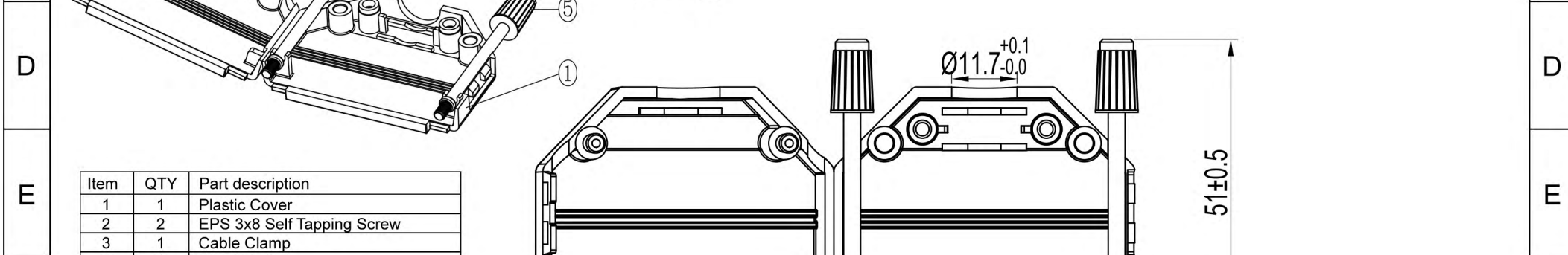
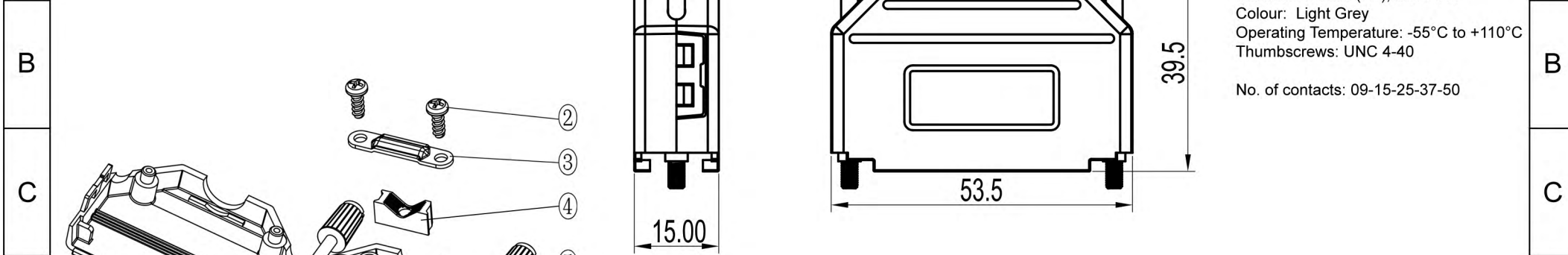
RoHS compliant
 Unit: mm

Scale	Free				Date	Name	Customer-No.	
TOLERANCE					Drawn	17.08.2017	S.Bölling	
0~6	±0.10				Approved	17.08.2017	S.Bölling	
6~30	±0.20							
30~120	±0.30							
120~400	±0.50							
DIM	Tol							
Angle	±1°	©	Drawn	17.08.2017				S.Bölling
Angle	Tol	Id.	Modification	Date				Name

Customer-No.		
ASSMANN WSW-No.		ACOVSUB-15NB13
Drawing-No.	ASS_5254_CO	rev00
Replace		Sheet 2/5



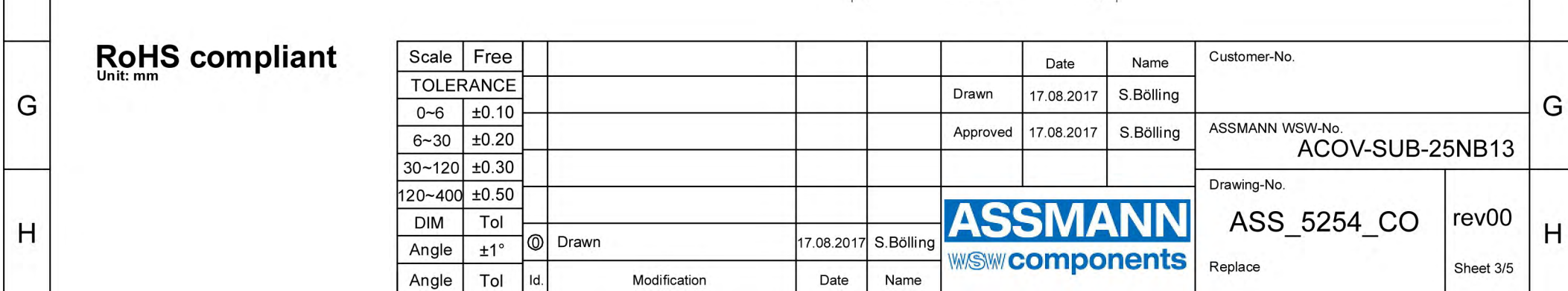
TECHNICAL SPECIFICATIONS
 Material: Plastic (PA), UL94-HB
 Colour: Light Grey
 Operating Temperature: -55°C to +110°C
 Thumbscrews: UNC 4-40
 No. of contacts: 09-15-25-37-50



Item	QTY	Part description
1	1	Plastic Cover
2	2	EPS 3x8 Self Tapping Screw
3	1	Cable Clamp
4	1	Plastic Insert
5	2	Jackscrews UNC4-40x51mm

RoHS compliant
 Unit: mm

Scale	Free				Date	Name	Customer-No.
TOLERANCE					Drawn	17.08.2017	S.Bölling
0~6	±0.10				Approved	17.08.2017	S.Bölling
6~30	±0.20						
30~120	±0.30						
120~400	±0.50						
DIM	Tol						
Angle	±1°	Ⓢ	Drawn	17.08.2017	S.Bölling	ASSMANN WSW components ASS_5254_CO rev00 Replace Sheet 3/5	
Angle	Tol	Id.	Modification	Date	Name		



1

2

3

4

5

6

7

A

B

C

D

E

F

G

H

A

B

C

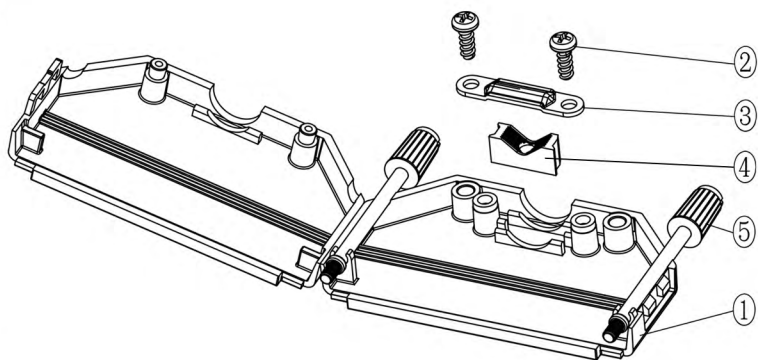
D

E

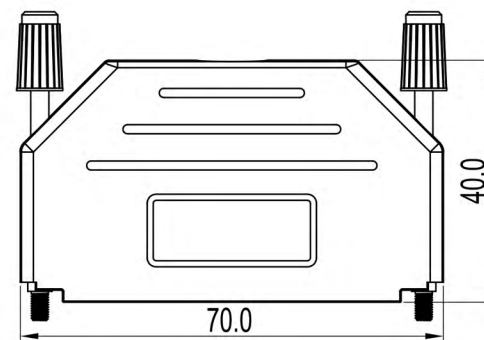
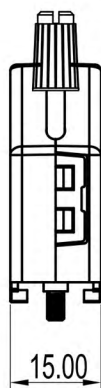
F

G

H



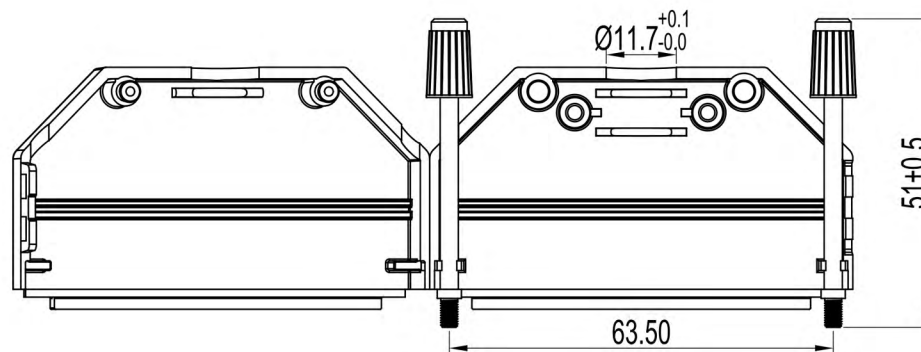
Item	QTY	Part description
1	1	Plastic Cover
2	2	EPS 3x8 Self Tapping Screw
3	1	Cable Clamp
4	1	Plastic Insert
5	2	Jackscrews UNC4-40x51mm



TECHNICAL SPECIFICATIONS

Material: Plastic (PA), UL94-HB
 Colour: Light Grey
 Operating Temperature: -55°C to +110°C
 Thumbscrews: UNC 4-40

No. of contacts: 09-15-25-37-50



RoHS compliant
 Unit: mm

Scale	Free					Date	Name	Customer-No.
TOLERANCE						Drawn	17.08.2017	S.Bölling
0~6	±0.10					Approved	17.08.2017	S.Bölling
6~30	±0.20							
30~120	±0.30							
120~400	±0.50							
DIM	Tol							
Angle	±1°	Ⓢ	Drawn			17.08.2017	S.Bölling	
Angle	Tol	Id.	Modification					

ASSMANN
 WSW components

ASSMANN WSW-No.
ACOV-SUB-37NB13

Drawing-No.
ASS_5254_CO rev00
 Replace Sheet 4/5

1

2

3

4

5

6

7

SV4382

1 2 3 4 5 6 7

A

B

C

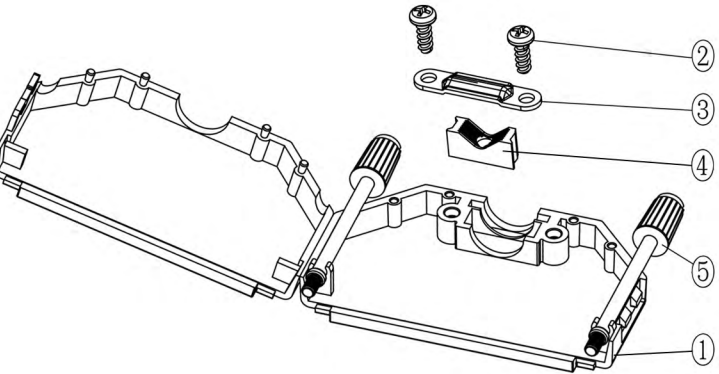
D

E

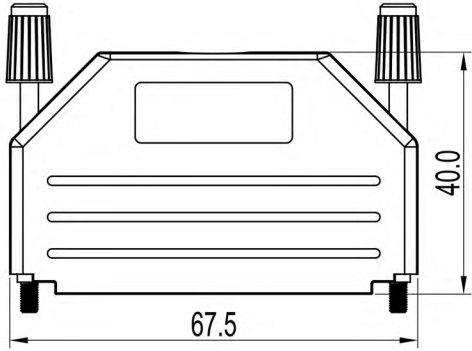
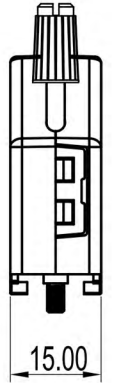
F

G

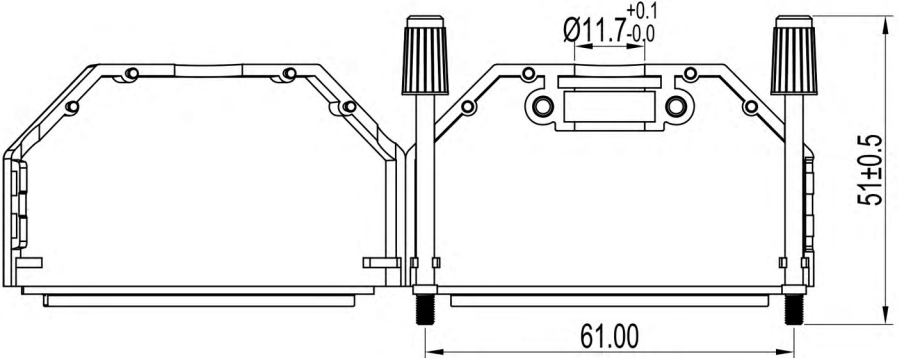
H



Item	QTY	Part description
1	1	Plastic Cover
2	2	EPS 3x8 Self Tapping Screw
3	1	Cable Clamp
4	1	Plastic Insert
5	2	Jackscrews UNC4-40x51mm



TECHNICAL SPECIFICATIONS
 Material: Plastic (PA), UL94-HB
 Colour: Light Grey
 Operating Temperature: -55°C to +110°C
 Thumbscrews: UNC 4-40
 No. of contacts: 09-15-25-37-50



RoHS compliant
 Unit: mm

Scale	Free					Date	Name	Customer-No.
TOLERANCE						Drawn	17.08.2017	S.Bölling
0~6	±0.10					Approved	17.08.2017	S.Bölling
6~30	±0.20							
30~120	±0.30							
120~400	±0.50							
DIM	Tol							
Angle	±1°	Ⓢ	Drawn			17.08.2017	S.Bölling	
Angle	Tol	Id.	Modification					



Customer-No.
 ASSMANN WSW-No.
ACOV-SUB-50NB13
 Drawing-No.
ASS_5254_CO rev00
 Replace
 Sheet 5/5

1 2 3 4 5 6 7 SV4382