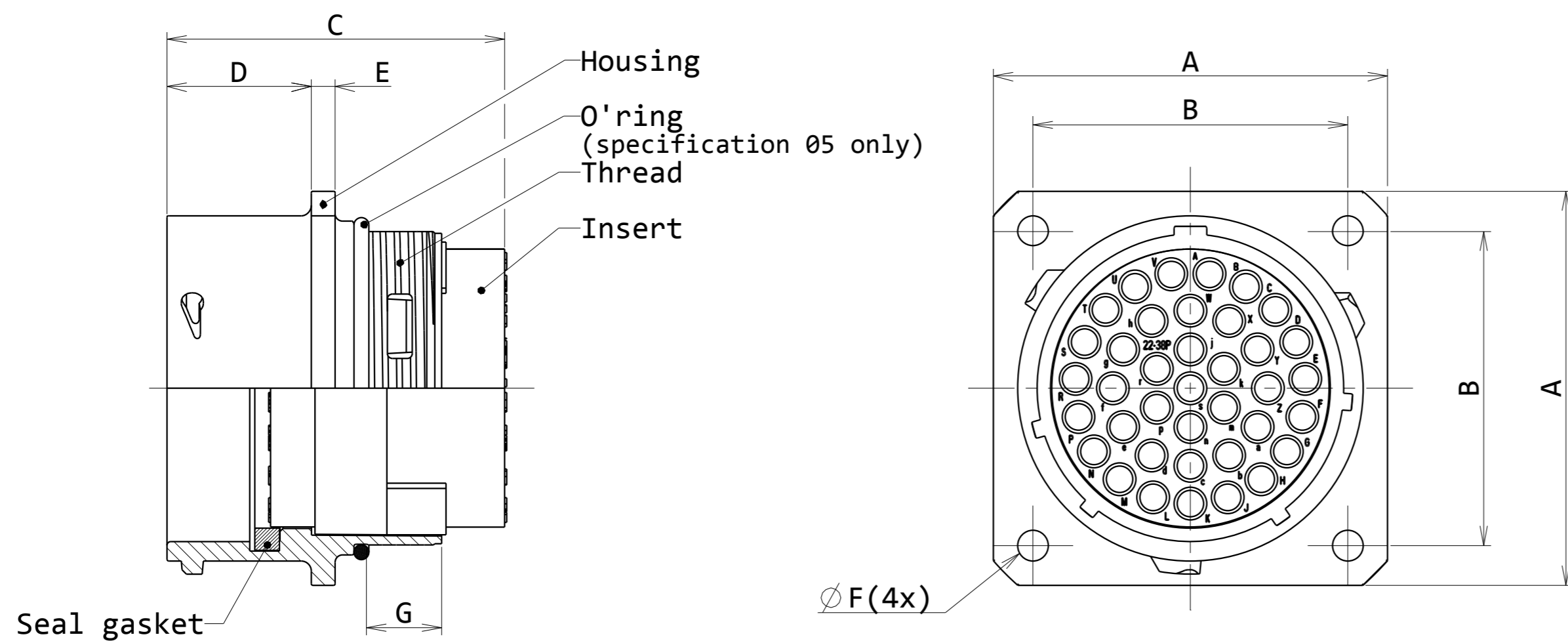


A.8; Validé



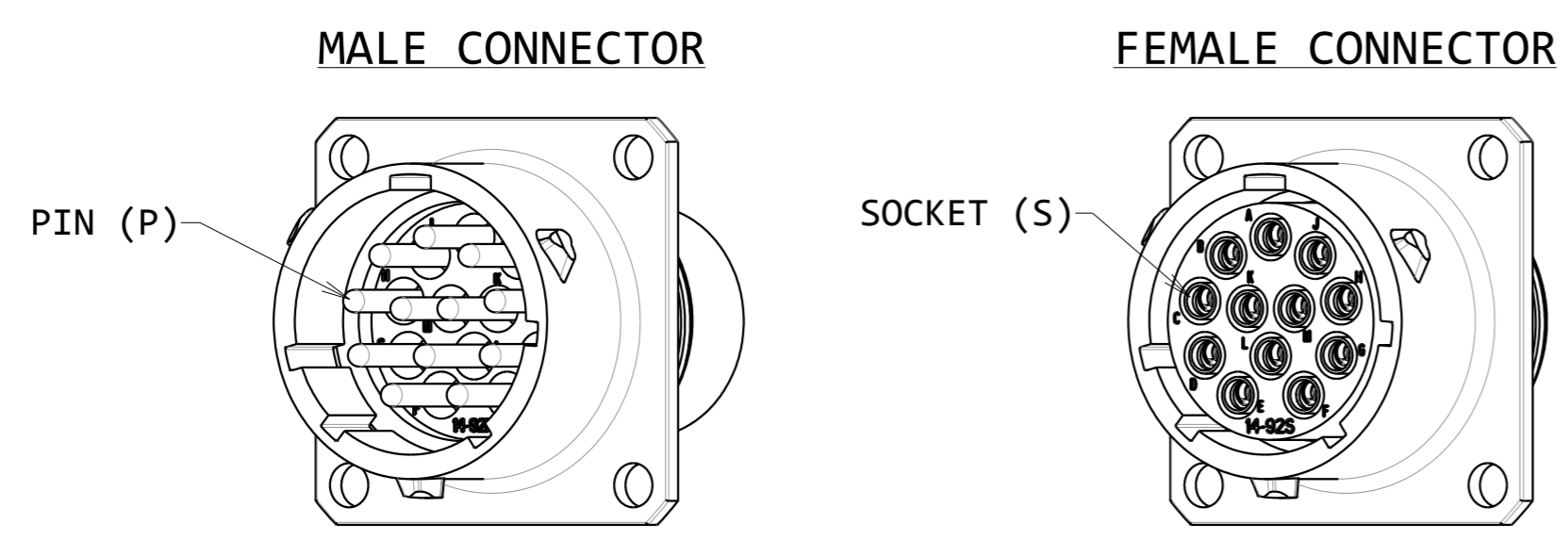
MATERIAL :
 Housing : Zinc alloy nickel plated
 Insert : PA 66 UL94 V0
 Mating gasket : sealing IP67:Nitril
 sealing IP68:Silicone
 O'ring : nitril

PERFORMANCE CHARACTERISTICS :
 Operating temperature : -40°C up to 105°C
 Insulation resistance : 5000 MΩmin
 Withstanding voltage: 2000Vrms
 (1500 Vrms for 102w2 and 103w3 layouts)
 Corrosion salt spray : 96 hours
 Durability : 500 matings and unmatings
 Sealing IP67 / IP68 3 bar/30min as per IEC60529
 Sealing IP69K as per DIN40050
 ROHS compliant

- NOTES :**
- 1- Contact identification and orientation of connector, refer to:
 UT0-CONTACT-L-C01 (Male)
 UT0-CONTACT-L-C02 (Female)
 - 3- Contact to be ordered separately refer to : UT0 catalog
 - 4- Dimension ØP for front panel mounting (see to panel cut out)
 - 5- Dimension ØR for rear panel mounting (see to panel cut out)
 - 6- To achieved Sealing condition : Add UTFD-- Sealing Gasket
 - 7- Insert arrangement refer to : UT0-DHP-001-C01 (Male)
 UT0-DHP-002-C01 (Female)
 - 8- This drawing covers p/n termination : -H / -H6 / -H05 / -H605
 - 9- Packaging: connector is individually packed in a plastic bag

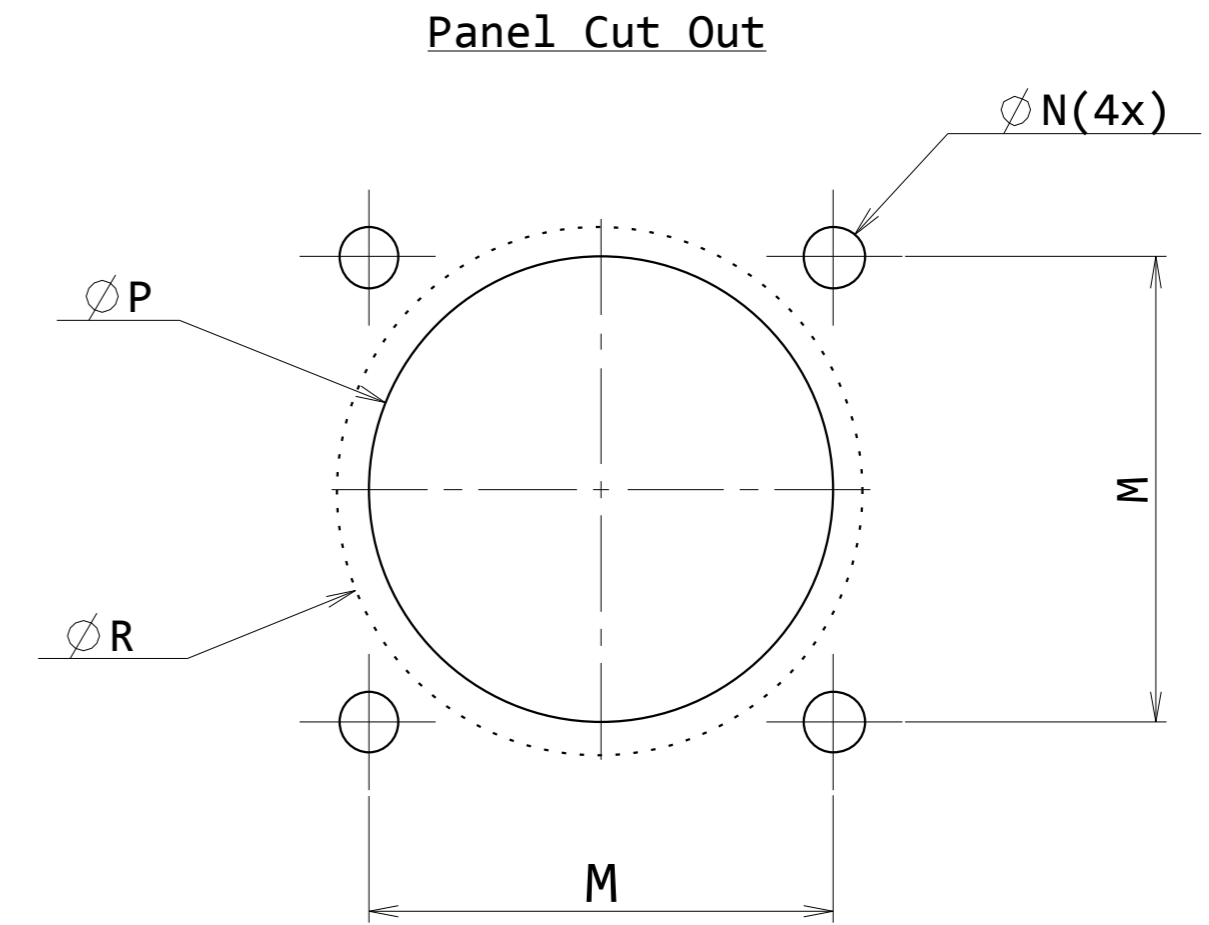
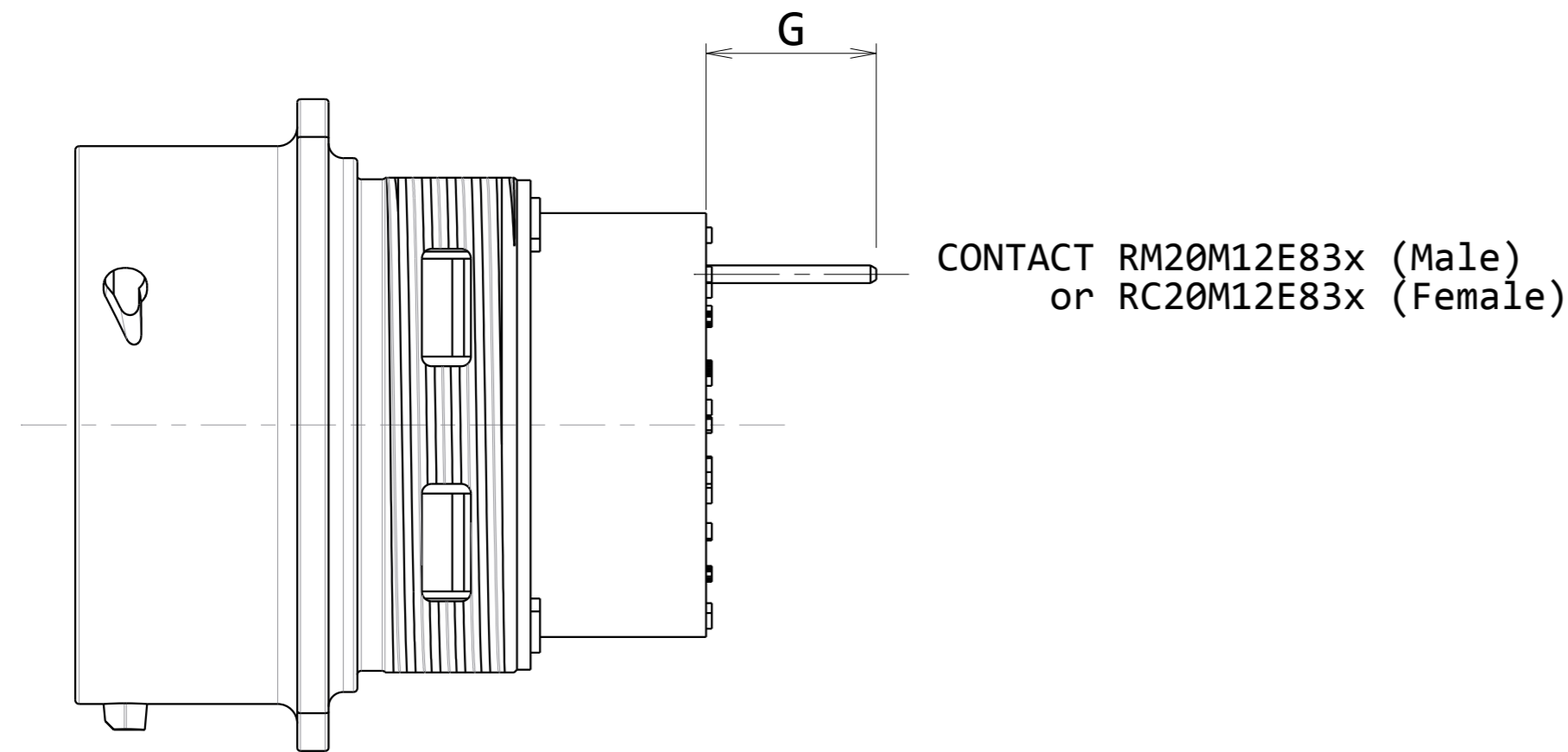
Part Number (Note 8)	Thread (for information)	A ±0.3	B ±0.2	C Max		D ±0.2	E ±0.35	F ±0.15	G ±0.2			
				Male	Female							
UT00102W2--H-	9/16-24 UNEF Class 2A	23.85	18.26	33.20	31.50	11.35	1.60	3.10	7.50			
UT00103W3--H-					25.50							
UT00103--H-												
UT00104--H-												
UT001044--H-												
UT00124--H-	11/16-24 UNEF Class 2A	26.20	20.62	36.00	32.50	11.35	1.60	3.10	7.50			
UT00128--H-					25.50							
UT00142G1--H-					31.50							
UT00147--H-												
UT00148--H-	13/16-20 UNEF Class 2A	28.60	23.01	33.20	31.50	11.35	1.60	3.10	7.50			
UT001412--H-												
UT001492--H-												
UT001619--H-	15/16-20 UNEF Class 2A	31.05	24.61	33.20	25.50	11.35	1.60	3.10	7.50			
UT001823--H-	1" 1/16-18 UNEF Class 2A	33.35	26.97	34.70	29.30					14.55	2.40	3.80
UT002028--H-	1" 3/16-18 UNEF Class 2A	36.55	29.36	15.35								
UT002235--H-	1" 5/16-18 UNEF Class 2A	39.80	31.75									
UT002238--H-												
UT002448--H-	1" 7/16-18 UNEF Class 2A	42.90	34.92									

UT00 14 2G1 P W H6 05
Receptacle UT0 : <i>Type 0</i>
Shell size :
Insert arrangement : <i>See Note 7</i>
Contact : P : Male S : Female
Insert polarisation : <i>No letter : Standard version</i> W, X, Y, Z : <i>Differents orientation</i>
Sealing version : H : IP67 version H6 : IP68 version
Specification : <i>No letter : Standard version</i> 05 : <i>O'ring rear on the receptacle</i>



A	20/04/2015	_CREATION OF THE DRAWING _Cancel & replace UT00-C01	24021
ISS	DATE	Latest modification - by: COUTY L.	MOD N°
Designed by: COUTY L.		Date : 20/04/2015	CUSTOMER DRAWING
TITLE		RECEPTACLE UT0 CONNECTOR	
Scale	2/1	General linear Tolerances: ± 0.1	NPRDS / PROJECT UT0
SOURIAU		WWW.SOURIAU.COM	
This document is the property of SOURIAU. It must not be reproduced or communicated without permission.			1
FORMAT	SOURIAU DRG N° C001-UT00-A		SHEET 1 / 2

In case the connectors are equipped with dipsolder contacts



Contacts to be ordered separately

MALE CONTACTS		
Part Number	G	
	min	max
UT00104P-H-	8.1	10.3
UT001044P-H-		
UT00124P-H-		
UT00128P-H-		
UT001412P-H-		
UT001492P-H-		
UT001619P-H-		
UT001823P-H-		
UT002028P-H-		
UT002030P-H-		
UT002235P-H-		
UT002238P-H-		
UT002448P-H-		

FEMALE CONTACTS		
Part Number	G	
	min	max
UT00104S-H-	7.5	9.2
UT001044S-H-		
UT00128S-H-		
UT001412S-H-		
UT001492S-H-		
UT001619S-H-		
UT001823S-H-	5.3	7.1
UT002028S-H-		
UT002030S-H-		
UT002235S-H-		
UT002238S-H-		
UT002448S-H-		

Part Number	M ±0.2	∅N ±0.1	∅P ±0.1	∅R ±0.1
UT00102W2--H-	18.26	3.20	14.20	17.30
UT00103W3--H-				
UT00103--H-				
UT00104--H-				
UT001044--H-				
UT00124--H-	20.62	3.20	18.40	21.85
UT00128--H-				
UT00142G1--H-	23.01	3.20	21.50	25.00
UT00147--H-				
UT00148--H-				
UT001412--H-				
UT001492--H-	24.61	3.20	24.60	28.10
UT001619--H-				
UT001823--H-				
UT002028--H-	29.36	3.20	30.95	34.50
UT002030--H-				
UT002235--H-	31.75	3.20	34.10	37.70
UT002238--H-				
UT002448--H-	34.92	3.90	37.30	40.90

-Dimension ∅P for front panel mounting (see to panel cut out)
-Dimension ∅R for rear panel mounting (see to panel cut out)

A	04/11/2014	_CREATION OF THE DRAWING		24021
ISS	DATE	_Cancel & replace UT00-C01		MOD N°
Designed by:		COUZY L.	Date : 04/11/2014	CUSTOMER DRAWING
TITLE		RECEPTACLE UT0 CONNECTOR		
Scale	3/1	General linear Tolerances: ± 0.1	NPRDS / PROJECT UT0	
SOURIAU		WWW.SOURIAU.COM		This document is the property of SOURIAU. It must not be reproduced or communicated without permission.
FORMAT	A2	SOURIAU DRG N° C001-UT00-A		SHEET 2 / 2