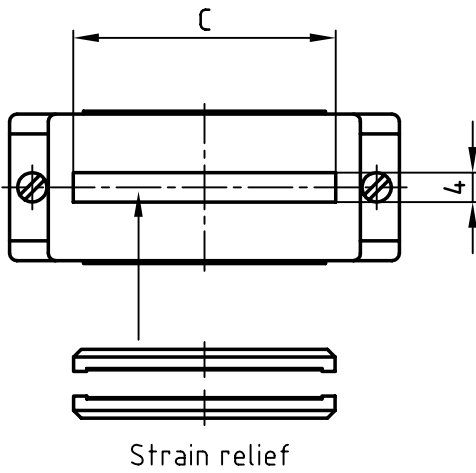
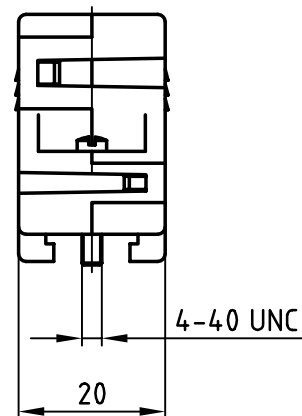
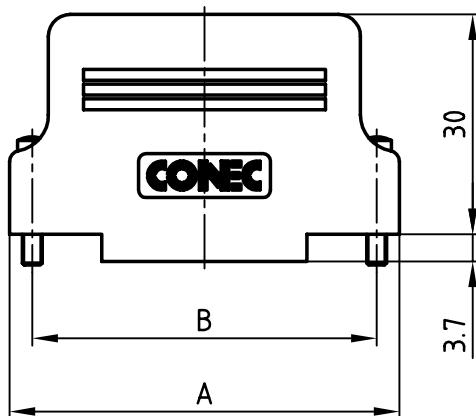


used for: D-Subminiature



No. of pos.	A	B	C	Part No.
25	53.2	47.0	35.8	165X14029X
37	69.7	63.5	50.5	165X14039X

APPROVAL # FREIGABE # DEBLOCAGE # AUTORIZACION # APPROVAL

CUSTOMER APPROVAL DATE:

NAME: TITLE:

COMPANY NAME:

APPROVAL # FREIGABE # DEBLOCAGE # AUTORIZACION # APPROVAL

Directive 2002/95/EC
"RoHS"
Compliant

- NOTES:**
1. HOOD: ABS V0; GREY
 2. STRAIN RELIEF: ABS V0; GREY
 3. SCREWS: BRASS; NICKEL PLATED

THIS DRAWING MAY NOT BE COPIED OR REPRODUCED IN ANY WAY, AND MAY NOT BE PASSED ON TO A THIRD PARTY WITHOUT WRITTEN PERMISSION.
OWNERSHIP AND COPYRIGHT OF CONEC GmbH
DO NOT ALTER CAD DRAWING BY HAND

rev.	description	date	name



tolerance	scale: 1:1
dim. in mm	material: SEE NOTES
2004 date name	title: PLASTIC HOOD 25pos. + 37pos. for flat cable IDC D-Subminiature
drawn 05.01. Lehmenkühler	
appd. 05.01. Kühle	
norm	
d-old	dwg no: AutoCAD 2000
	16K1A1074
	part no: SEE TABLE
	DIN-A 4
	sh: 1/1

4 3 2 1

F

E

D

C

B

A

F

E

D

C

B

A

4 3 2 1