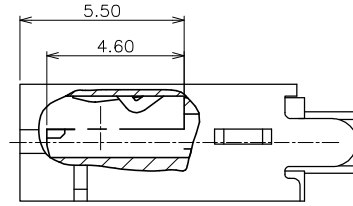
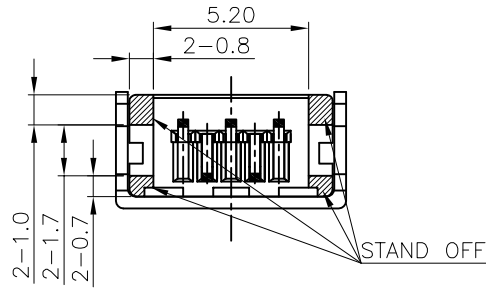


PRODUCT NO.  
10119313-\*



NOTES:

1.MATERIAL:

HOUSING: THERMOPLASTIC, UL 94V-0 RATED, COLOR IN BLACK.  
CONTACT: COPPER ALLOY  
SHELL: COPPER ALLOY.

2.FINISH:

CONTACT: UNDERPLATED 50u"MIN. NICKEL, OVER ALL;  
100u" MIN. PURE MATTE TIN PLATED IN SOLDERING AREA;  
30u" MIN. GOLD PLATING ON CONTACT AREA.  
SHIELD: NICKEL 80u" MIN. PLATED OVER ALL.

3. THE HOUSING WILL WITHSTAND EXPOSURE TO 260 DEGREE C PEAK TEMPERATURE FOR 10 SECONDS IN A IR REFLOW APPLICATION, AND THIS PRODCUT MEETS EUROPEAN UNION DIRECTIVES AND OTHER COUNTRY REGULATIONS AS DESCRIBED IN GS-22-008.

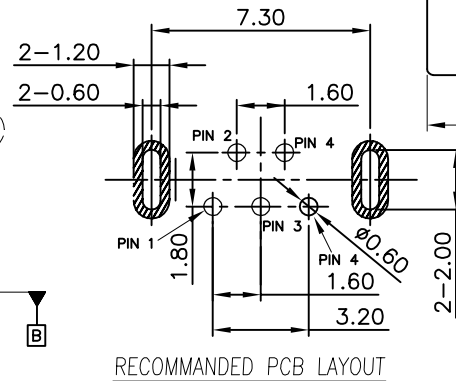
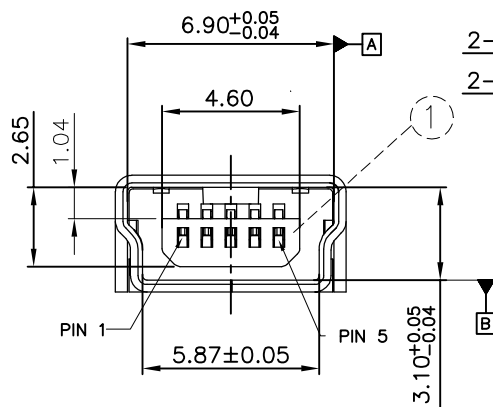
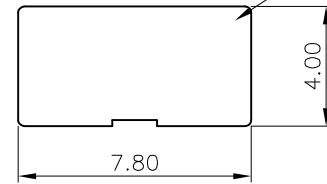
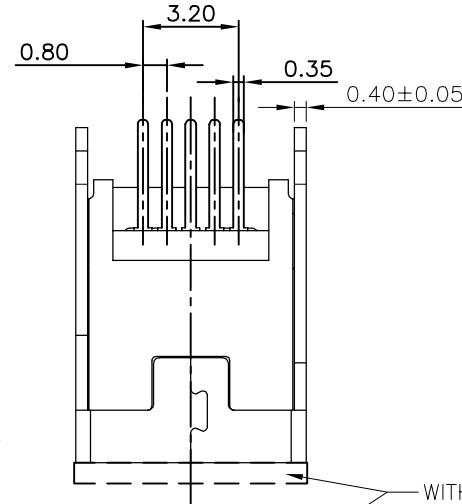
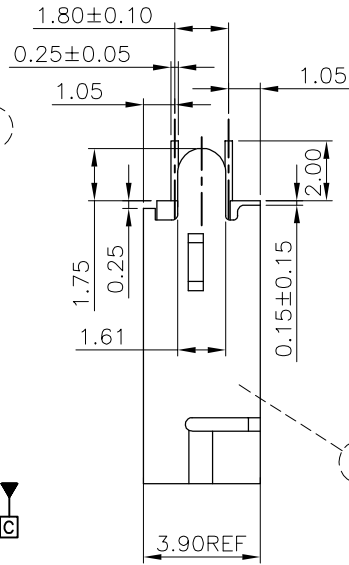
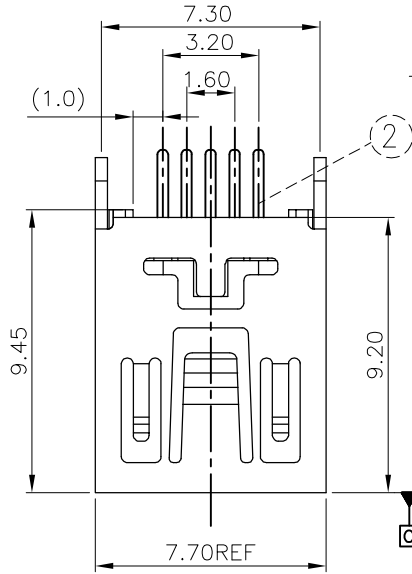
4. PRODUCT SPECIFICATION: GS-12-174; PACKAGING SPECIFICATION: GS-14-873.

5. PRODUCT ORDERING DATA :

FOR LEAD-FREE

10119313 -X X X X LF

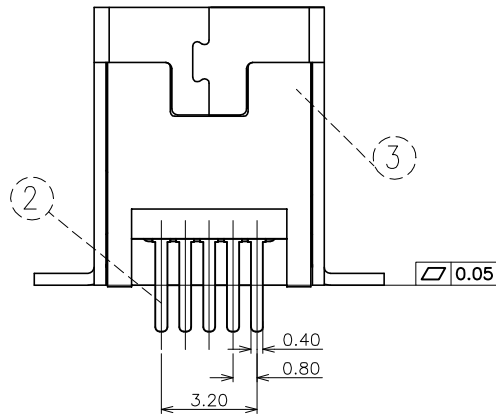
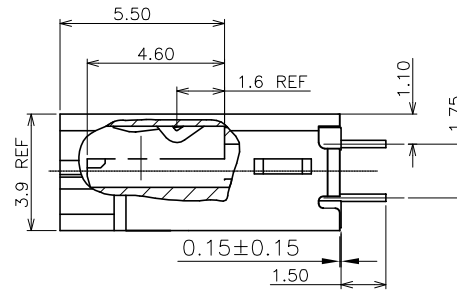
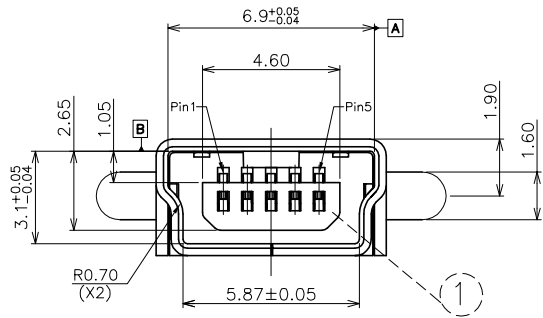
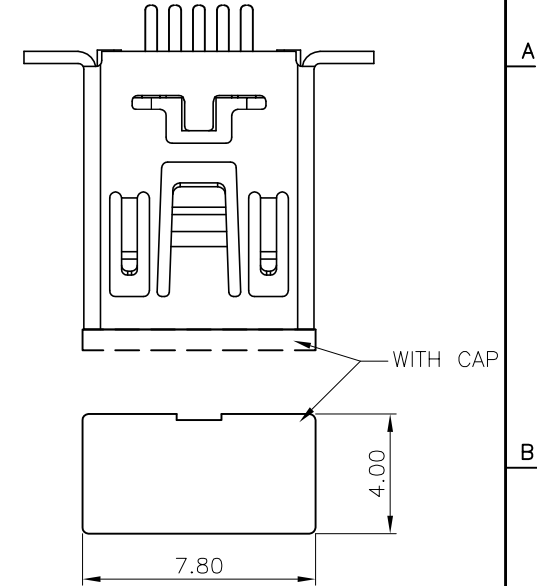
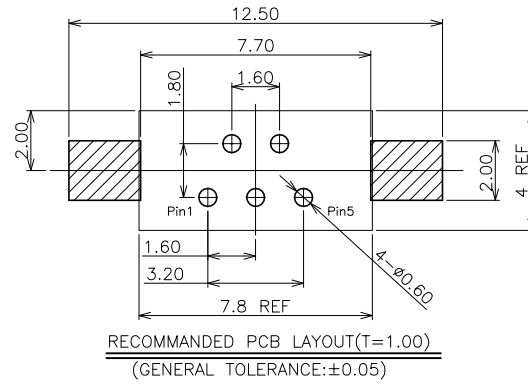
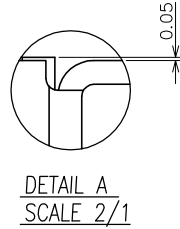
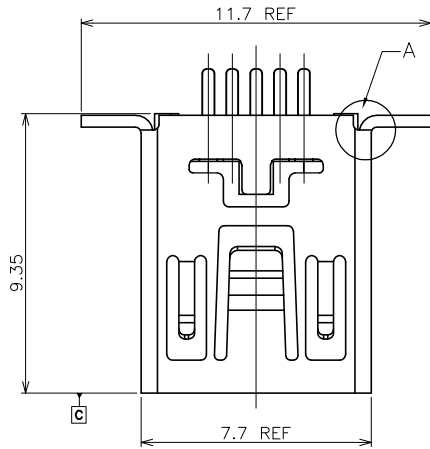
- LF: LEAD FREE PLATING
- PACKAGING METHOD:
  - T: TRAY PACKAGING STYLE.
  - R: TAPE AND REEL PACKAGING STYLE.
  - C: TAPE AND REEL WITH CAP
- SHELL PEG OPTION:
  - 1: DIP TYPE, SEE PAGE 1
  - 2: SMT TYPE, SEE PAGE 2
- HSG MATERIAL:
  - 0: LCP
- PLATING IN CONTACT AREA:
  - 3: 30u" MIN. Au .



ITEM	NAMES	QT'Y	MATERIAL	FINISH
3	SHIELD	1	COPPER ALLOY	SEE NOTE 2
2	TERMINAL	5	COPPER ALLOY	SEE NOTE 2
1	HOUSING	1	THERMOPLASTIC	COLOR:BLACK

mat'l. code				tolerances unless otherwise specified		CUSTOMER COPY		FCI	
ltr	ecn no	dr	date	linear	.0 ± 0.30	projection	www.fciconnect.com		
A	-	A.ZH	05/03/12		.00 ± 0.20		title		
B	ELX-N-16102	J.H	10/21/13		.000 ± 0.10		MINI USB 5PF VERTICAL TYPE		
C	ELX-N-17159	L.Q	3/10/14	angles	± 2°		MINI USB B RECEPTACLE		
D	ELX-N-22660	L.Q	12/01/15	dr	ANDY ZHANG	05/03/2012	MM	product family: Mini USB	
				enr	ANDY ZHANG	05/03/2012		code NT	
				chr	RICK BIAN	05/03/2012	scale	size dwg no	
				appd	RICK BIAN	05/03/2012	1 : 1	10119313	
sheet index	revision sheet	D	1~2					sheet 1 of 2	

PRODUCT NO.  
10119313-\*



PLEASE SEE PAGE ONE FOR THE NOTES

mat'l. code		tolerances unless otherwise specified		CUSTOMER COPY		 www.fciconnect.com			
ltr	ecn no	dr	date	linear	.0 ± 0.30	projection			
D					.00 ± 0.20				
				angles	.000 ± 0.10				
					± 2°		title MINI USB 5PF VERTICAL TYPE MINI USB B RECEPTACLE		
		dr	ANDY ZHANG	05/03/2012	MM			product family: Mini USB	code NT
		enr	ANDY ZHANG	05/03/2012	← MM →			size dwg no	sheet 2 of 2
		chr	RICK BIAN	05/03/2012	scale			10119313	
		appd	RICK BIAN	05/03/2012	1 : 1	A4			
sheet index	revision sheet								