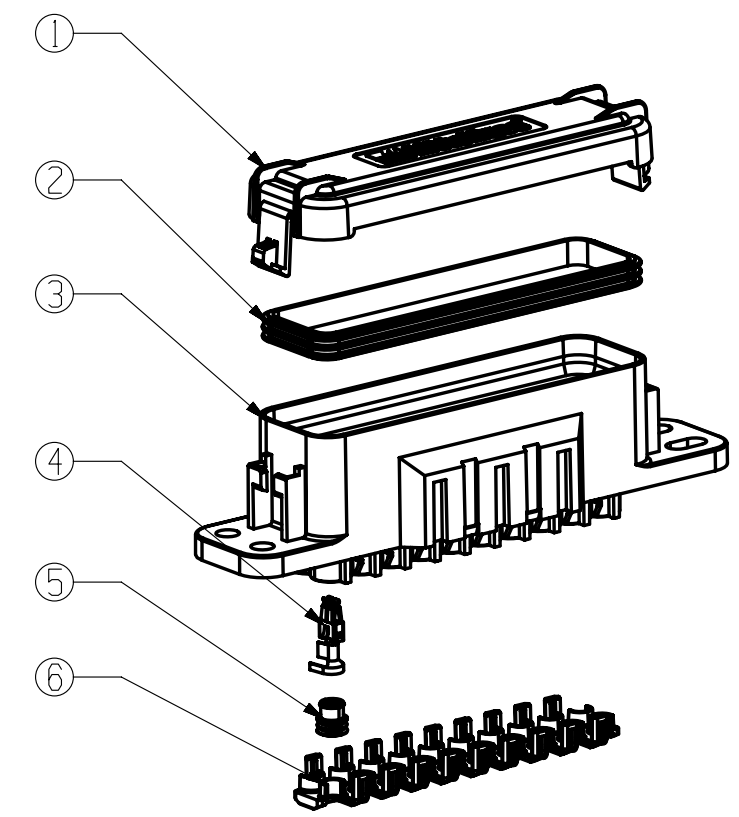
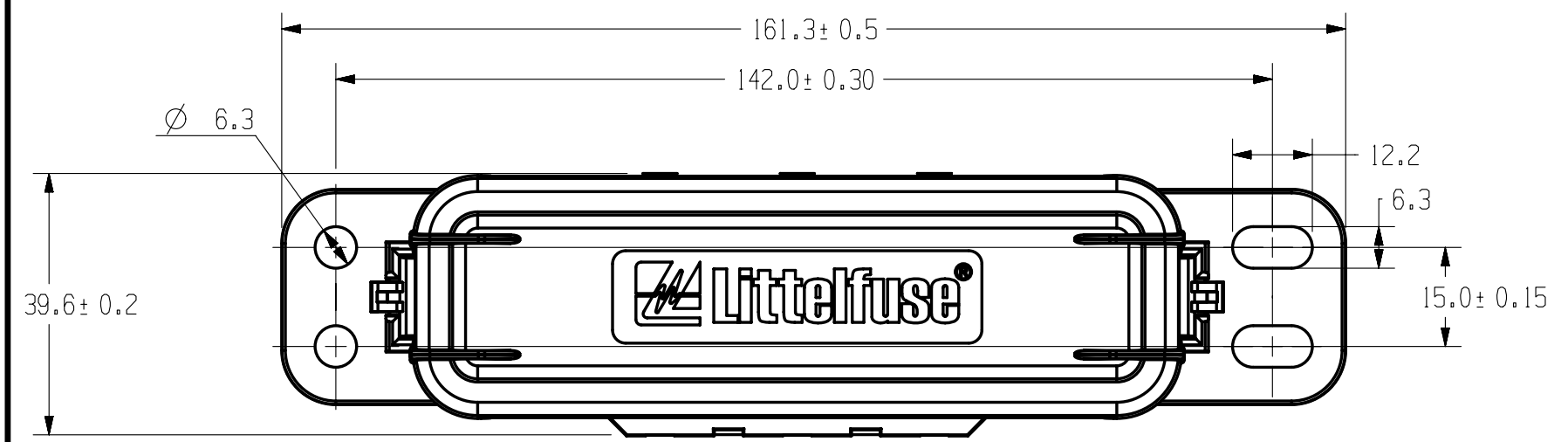
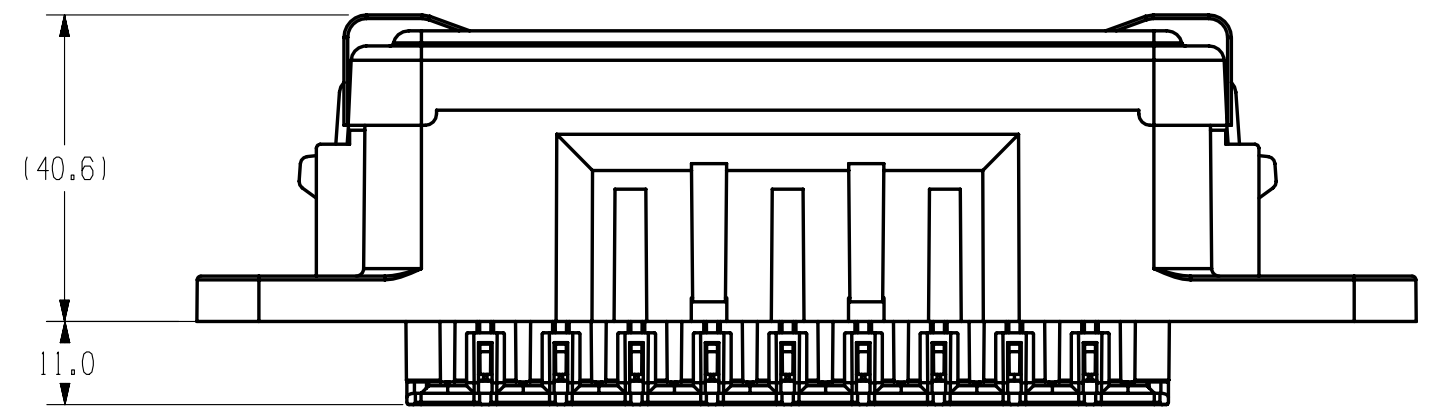


FEMALE TERMINAL FOR ATO FUSE				
Cable Seal & Terminals not provided by Littelfuse. For reference only.				
CABLE SIZE mm ²	FEMALE TERMINAL (TYCO STANDARD POWER TIMER)	CABLE DIA.	CABLE SEAL	BLANK CABLE SEAL
0.50 - 1	927836	1.4-2.1	963243-1/963244-1	100132-1
1.0-2.5	927835	2.2-3.0	963244-1/963245-1	
2.5-4.0	928966	3.4-3.7	963245-1	
3.0-5.0	1241962-1	4.2	967011-1	

LTR	DATE	REVISION	CHK	APD
A	2012/12/07	506933ERA NEW RELEASE EJIN		
B	07/19/13	508954ECA CHANGE COVER MATERIAL FOR HIGH TEMPERATURE USAGE, CHANGE TEMPERATURE RANGE 125 TO 85; CHANGE INPUT CAPABILITY 150 TO 210		
C	11/26/13	509872 ECA Change the name & update the notes		
D	06/25/14	510674ECA-CORRECT PART NUMBER OF COVER GASKET FYUE		
E	24/Mar/16	515547ECA-CHANGE TYCO TERMINAL 927835 WAS 927837 FYUE		
F	25/Mar/16	515613ECA-CHANGE MOUNTING TORQUE FYUE		



- NOTES:
- ① MATERIAL: COVER & BASE TPA BLACK Thermoplastic-94VO
SEAL: SILICONE RUBBER, GREEN
 - ② TORQUE RATING: 4-6 Nm USING M6 BOLT & LOCK WASHER.
 - ③ FUSE RATING: 40A PER CIRCUIT.
 - ④ OPERATING & STORAGE TEMPERATURE: -40° C TO 85° C ⑤
 - ⑤ IP SEALING CLASS PER IEC60529 IP66 & IP67.
 - ⑥ TERMINAL RETENTION PER USCAR 2 SECTION 5.4.1.3 USING TYCO STANDARD POWER TIMER TERMINALS (SEALED).
 - ⑦ TPA RETENTION PER USCAR 2 SECTION 5.4.4.4
 - ⑧ MAX. CONTINUOUS CURRENT: 210A FOR ENTIRE FUSEHOLDER.



NO	COMPONENT NO	DESCRIPTION	QTY/M	U/M
6	883-027	TPA		
5	SEE TABLE	SINGLE CABLE SEAL		
4	SEE TABLE	STANDARD POWER TIMER		
3	868-053	HOUSING		
2	901-057	COVER GASKET		
1	873-014	COVER		

BILL OF MATERIAL			
UNLESS OTHERWISE SPECIFIED, DIMENSIONS ARE IN MILLIMETERS. DIMENSIONS IN BRACKETS [] ARE INCHES			
UNLESS OTHERWISE SPECIFIED, DIMENSIONS DO NOT INCLUDE PLATING.			
⊙	DENOTES CRITICAL CHARACTERISTICS.		
CPK	DENOTES CPK DIMENSIONS, -MINIMUM CPK VALUE		
ST	DENOTES A CHARACTERISTIC THAT PROVIDES AN INDICATION OF PROCESS PERFORMANCE. PROCEDURE FOR MEASUREMENT AND TRACKING TO BE DEFINED IN LITTELFUSE INSPECTION INSTRUCTIONS		
CP	DENOTES CP DIMENSIONS, -MINIMUM CP VALUE MUST BE WITHIN THE DIMENSIONAL LIMITATIONS SHOWN ON DRAWING AND INITIALLY LOCATED TO ALLOW FOR MAXIMUM TOOL LIFE		
COPIES TO	MATL SPEC SEE NOTE		
1	9	18	
2	10	19	
3	12	20	
4	13	21	
5	14	23	
6	15	33	
7	16	43	
8	17	53	
TOLERANCES UNLESS OTHERWISE SPECIFIED (REF. ISO 2768-MH)			
DIMENSION	0.5 - 3	3 - 6	6 - 30
TOLERANCE	±0.1	±0.15	±0.2
3RD ANGLE PROJECTION			
TITLE		HWA20 Fuseholder ①	
Littelfuse		REVISION	DRWG. NO.
DES PLAINES, ILLINOIS 60016		F	OL-PDM61001ZXM

METRIC ASSEMBLY

CAD GENERATED DRAWING - NO PENCIL CHANGES ALLOWED