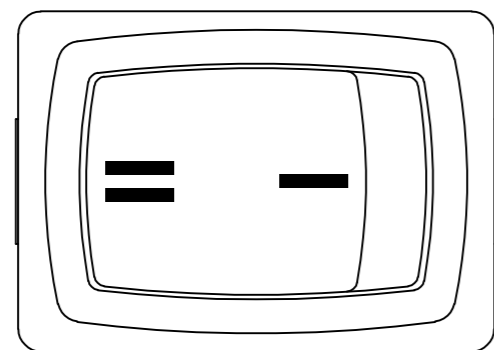
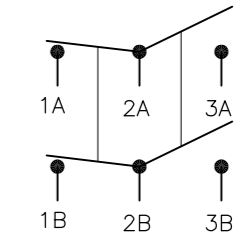


THIS DRAWING IS UNPUBLISHED. RELEASED FOR PUBLICATION
 © COPYRIGHT BY TYCO ELECTRONICS CORPORATION. ALL RIGHTS RESERVED.

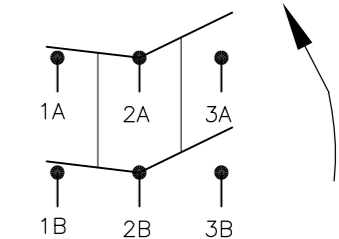
LOC		DIST		REVISIONS			
P	LTR	DESCRIPTION		DATE	DWN	APVD	
AD	00	A	ECO-07-019301	23AUG07	MB	DR	



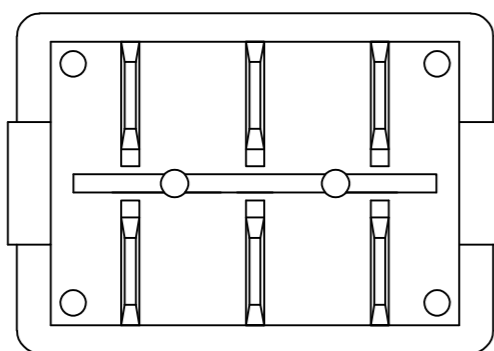
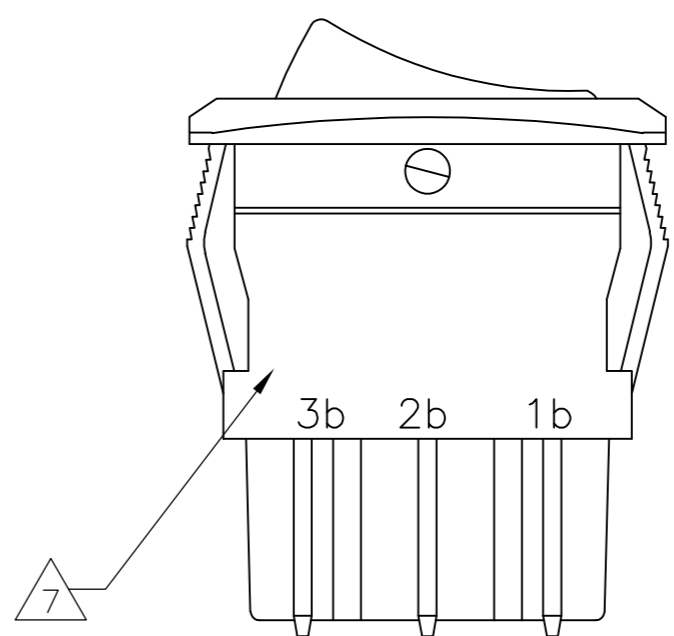
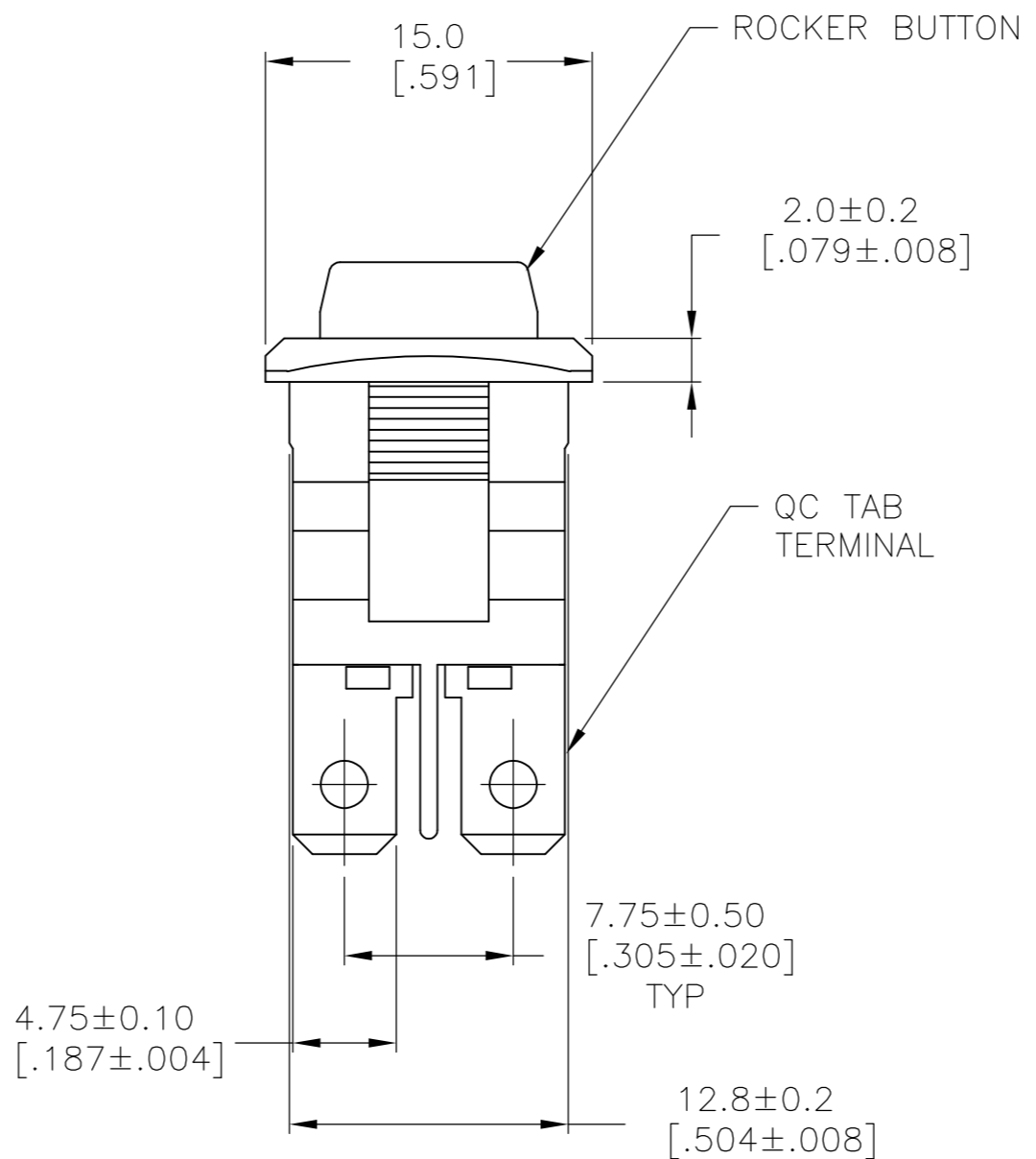
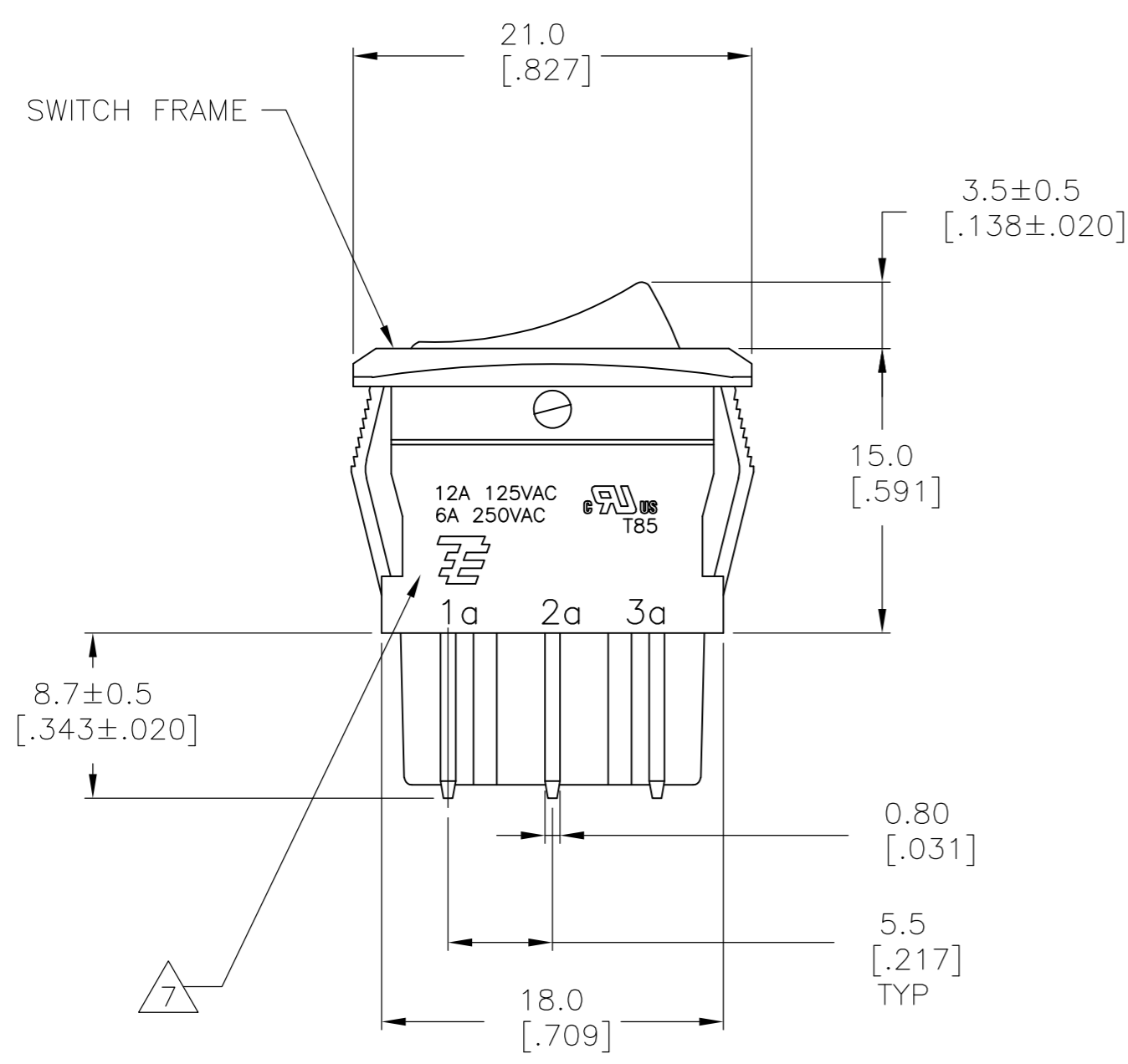
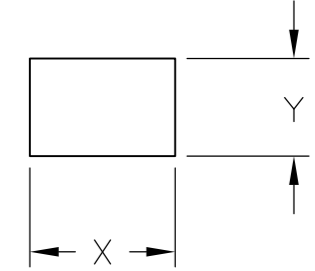
SWITCH FUNCTION D1
CIRCUIT DIAGRAM



SWITCH FUNCTION D2
CIRCUIT DIAGRAM



PANEL CUT OUT



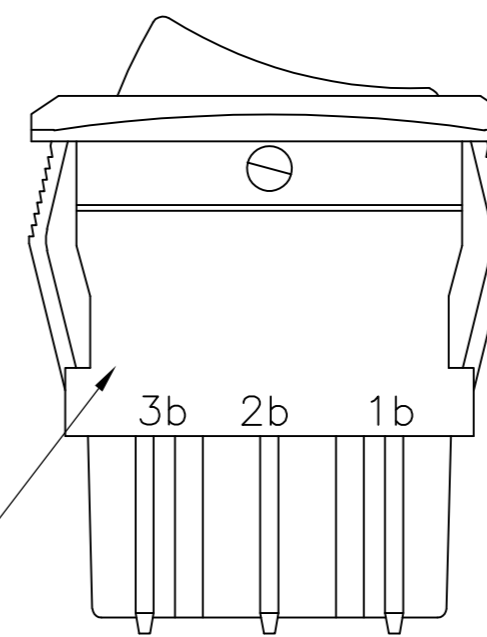
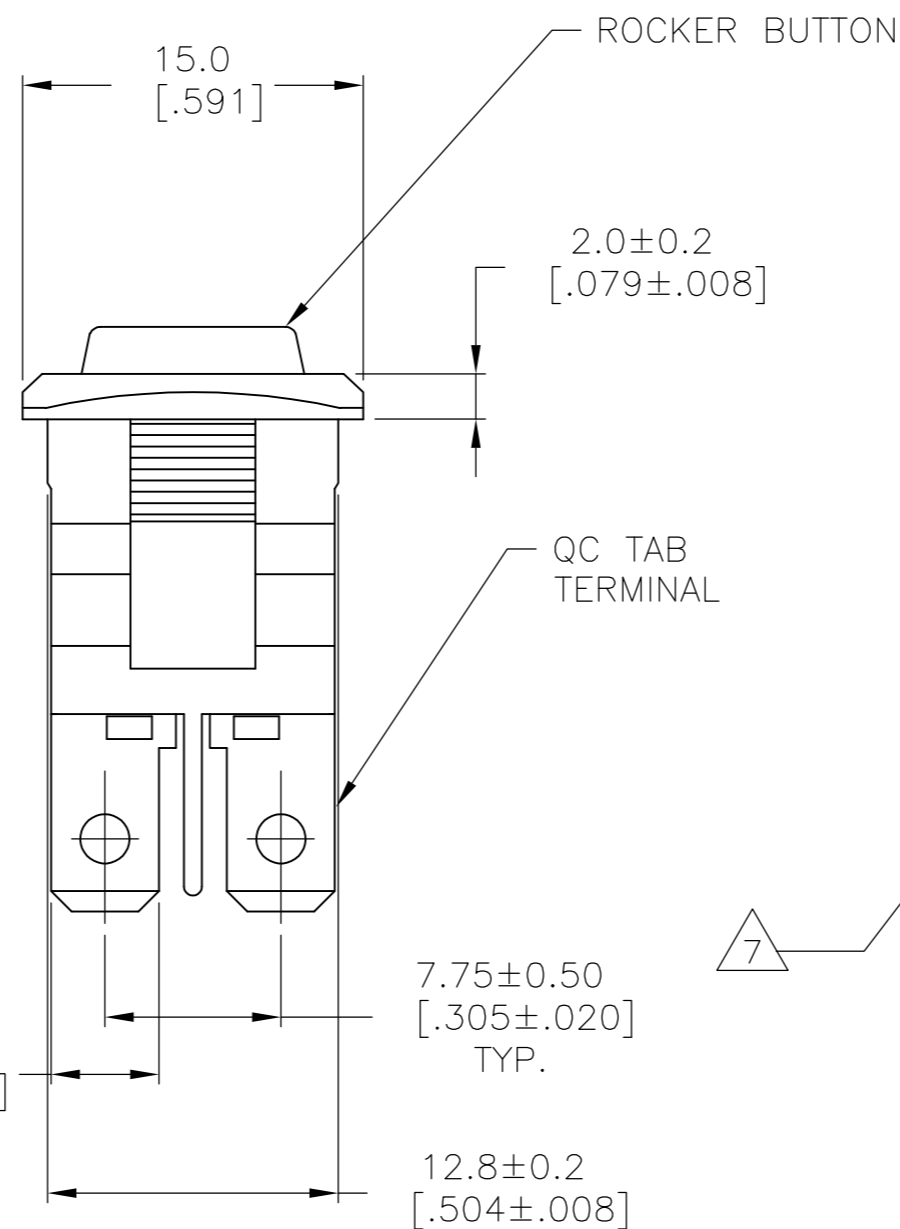
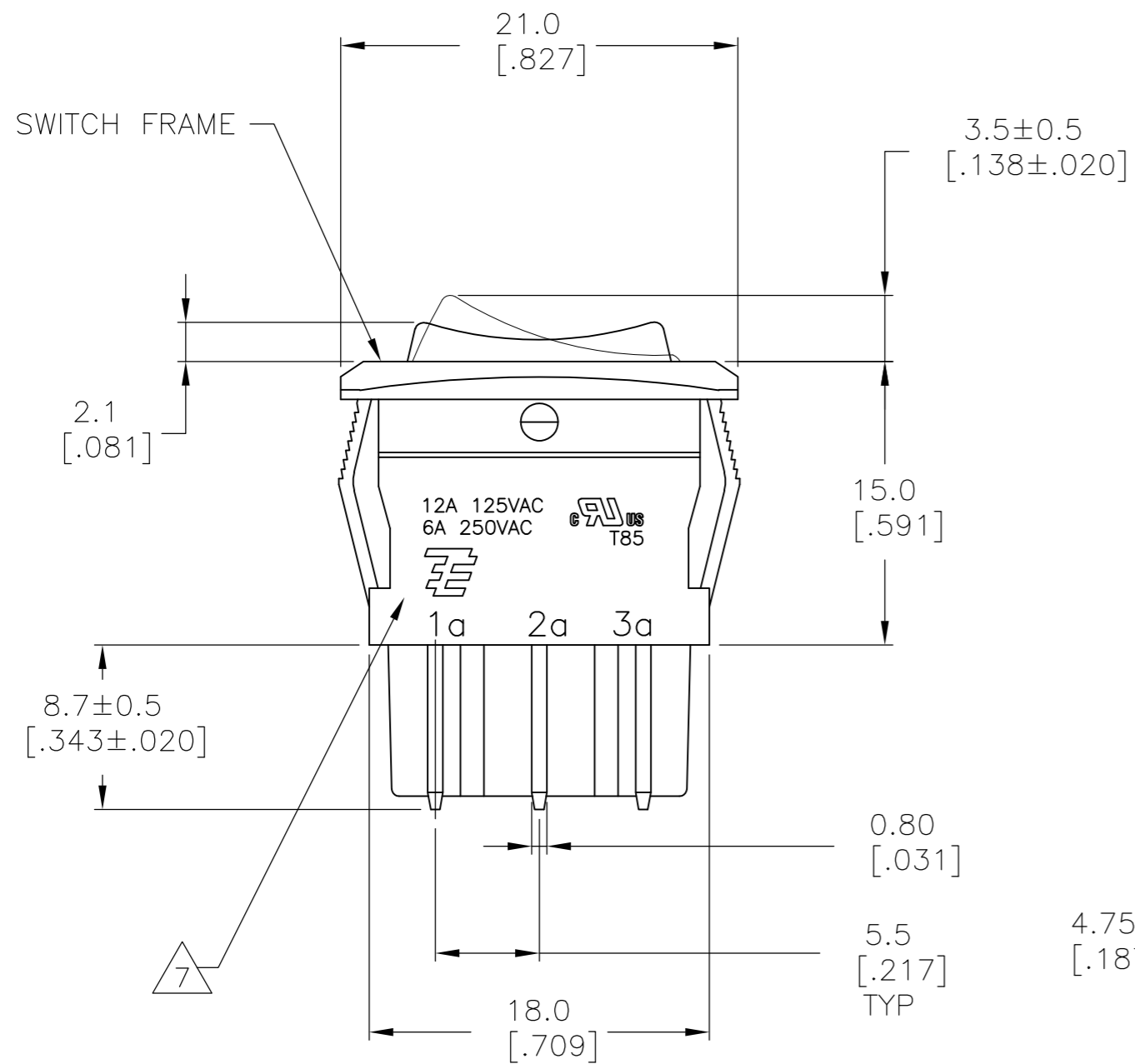
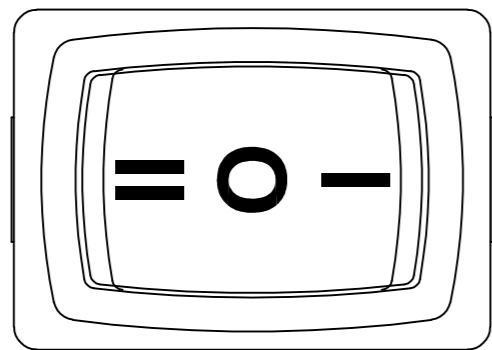
1977069-2 SHOWN

2.00-4.00 [.079-.158]	19.8-0.1 [.780-.004]	13.0+0.1 [.512+.004]
1.25-2.00 [.049-.079]	19.4-0.1 [.764-.004]	13.0+0.1 [.512+.004]
0.75-1.25 [.030-.049]	19.2-0.1 [.756-.004]	13.0+0.1 [.512+.004]
PANEL THICKNESS	X	Y

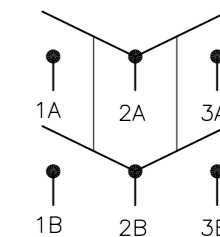
THIS DRAWING IS A CONTROLLED DOCUMENT.		DWN M.BINNER 03APR2007	Tyco Electronics Corporation Harrisburg, Pa 17105-3608	
DIMENSIONS: mm [INCHES]	TOLERANCES UNLESS OTHERWISE SPECIFIED:	CHK D.ROHDE	NAME POWER ROCKER SWITCH, 13.0mm X 19.2mm	
0 PLC ± -	1 PLC ± 0.30 [.012]	APVD -	PANEL CUT-OUT SIZE, DOUBLE POLE, DOUBLE THROW, SIX TERMINALS, NON-ILLUMINATED	
2 PLC ± 0.05 [.002]	3 PLC ± -	PRODUCT SPEC NOT APPLICABLE	SIZE A2	CAGE CODE 00779
4 PLC ± -	ANGLES ± -	APPLICATION SPEC NOT APPLICABLE	DRAWING NO C=1977069	RESTRICTED TO -
MATERIAL 1	FINISH 2	WEIGHT -	SCALE 3:1	SHEET 1 OF 3
CUSTOMER DRAWING			REV A	

THIS DRAWING IS UNPUBLISHED. RELEASED FOR PUBLICATION
 © COPYRIGHT BY TYCO ELECTRONICS CORPORATION. ALL RIGHTS RESERVED.

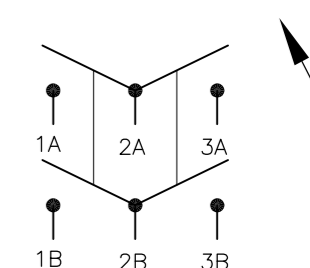
LOC	DIST	REVISIONS			
P	LTR	DESCRIPTION	DATE	DWN	APVD
AD	00	SEE SHEET 1	-	-	-



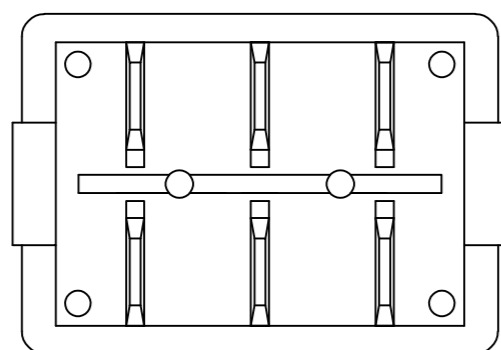
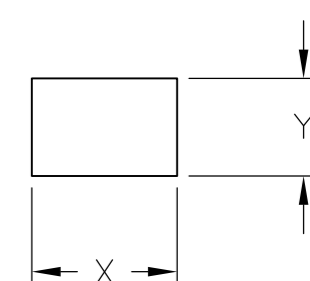
SWITCH FUNCTION D3
CIRCUIT DIAGRAM



SWITCH FUNCTION D4
CIRCUIT DIAGRAM



PANEL CUT OUT



1-1977069-1 SHOWN

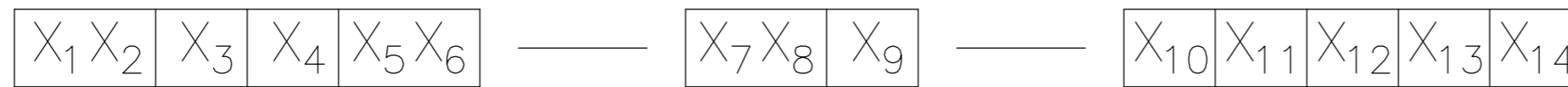
2.00-4.00 [.079-.158]	19.8-0.1 [.780-.004]	13.0+0.1 [.512+.004]
1.25-2.00 [.049-.079]	19.4-0.1 [.764-.004]	13.0+0.1 [.512+.004]
0.75-1.25 [.030-.049]	19.2-0.1 [.756-.004]	13.0+0.1 [.512+.004]
PANEL THICKNESS	X	Y

THIS DRAWING IS A CONTROLLED DOCUMENT.		DWN M.BINNER 03APR2007	Tyco Electronics Corporation Harrisburg, Pa 17105-3608	
DIMENSIONS: mm [INCHES]	TOLERANCES UNLESS OTHERWISE SPECIFIED:	CHK D.ROHDE	NAME POWER ROCKER SWITCH, 13.0mm X 19.2mm	
0 PLC ± -	1 PLC ± 0.30 [.012]	APVD -	PANEL CUT-OUT SIZE, DOUBLE POLE, DOUBLE THROW, SIX TERMINALS, NON-ILLUMINATED	
2 PLC ± 0.05 [.002]	3 PLC ± -	PRODUCT SPEC NOT APPLICABLE	SIZE A2	CAGE CODE 00779
4 PLC ± -	ANGLES ± -	APPLICATION SPEC NOT APPLICABLE	DRAWING NO C=1977069	RESTRICTED TO -
MATERIAL 1	FINISH 2	WEIGHT -	SCALE 3:1	SHEET 2 OF 3
CUSTOMER DRAWING		REV A		

THIS DRAWING IS UNPUBLISHED. RELEASED FOR PUBLICATION
 © COPYRIGHT BY TYCO ELECTRONICS CORPORATION. ALL RIGHTS RESERVED.

LOC	DIST	REVISIONS			
P	LTR	DESCRIPTION	DATE	DWN	APVD
AD	00	SEE SHEET 1	-	-	-

LEGACY PART NUMBER



SWITCH TYPE: X1 X2 = PR - POWER ROCKER

SECONDARY ROCKER COLOR: X12 = Ø - NOT APPLICABLE

NOMINAL PANEL CUT OUT SIZE: X3 = A - 13.0x19.2[.512x.756]

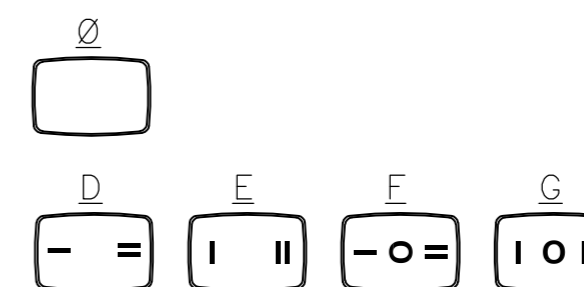
NUMBER OF POLES: X4 = D - DOUBLE

SWITCH FUNCTION: X5 X6 =
D1: ON-ON, WITH OPAQUE, SINGLE COLOR ROCKER BUTTON
D2: ON-(ON), WITH OPAQUE, SINGLE COLOR ROCKER BUTTON
D3: ON-OFF-ON, WITH OPAQUE, SINGLE COLOR ROCKER BUTTON
D4: ON-OFF-(ON), WITH OPAQUE, SINGLE COLOR ROCKER BUTTON

CURRENT RATING: X7 X8 = 12 - △6

LEGEND TEXT PATTERN: X13 =

TERMINAL TYPE: X9 = E - QC TAB



FRAME COLOR: X10 =
B - BLACK
W - WHITE

LEGEND TEXT COLOR: X14 =
Ø - NOT APPLICABLE
G - GREEN
R - RED
B - BLACK
W - WHITE

ROCKER COLOR: X11 =
B - BLACK
G - GREEN
R - RED
W - WHITE

1 MATERIALS:
 ROCKER BUTTON & HOUSING FRAME: NYLON 66, UL 94 V-2.
 TERMINAL, ACTIVE CONTACTOR: COPPER ALLOY PER ASTM B152/B152M
 PLUNGER: BRASS PER ASTM B036
 SPRING: STEEL WIRE PER ASTM A228/A228M

6 12A@125VAC/6A@250VAC

7 ELECTRICAL RATINGS, APPROVED AGENCY LOGOS, TERMINAL IDENTIFICATION NUMBERS, AND THE TE LOGO MOLDED APPROXIMATELY AS SHOWN ON THE SIDES OF THE SWITCH HOUSING.

8. COMPONENT RECOGNIZED TO US & CANADIAN STANDARDS, UL FILE NO. E46765.

9. ROHS 2002/95/EC COMPLIANT.

2 FINISH:
 PLUNGER: 1.02µm[.000040]MIN NICKEL

3. ELECTRICAL SPECIFICATIONS:
 CURRENT AND VOLTAGE: **6**
 CONTACT RESISTANCE (INITIAL): <100mΩ
 DIELECTRIC STRENGTH (INITIAL): >1000 VAC, 1 MINUTE
 INSULATION RESISTANCE (INITIAL): >100MΩ (500 VDC BETWEEN OPEN CONTACTS)
 ELECTRICAL LIFE ENDURANCE: >6000 OPERATIONS, VOLTAGE DROP: <100mV
 TEMPERATURE RISE AT TERMINALS: <30°C, 6000 OPERATIONS
 (AMBIENT CONDITIONS: 25±2°C AND 65±5%R.H)

4. MECHANICAL SPECIFICATIONS:
 ACTUATING FORCE: 400g MIN, 1400g MAX
 OPERATING LIFE ENDURANCE: >100,000 OPERATIONS
 TERMINAL RETENTION FORCE: >6.8kg- QC TAB

5. ENVIRONMENTAL SPECIFICATIONS:
 AMBIENT TEMPERATURE: -20°C TO +85°C
 HUMIDITY: MAX 85%
 SALT SPRAY: NO REMARKABLE RUST ON METAL PARTS
 (5% SALT/ 35°C, 24HRS)
 SHOCK: NO MECHANICAL DEFECT OR DAMAGE
 (500G 11MSEC / X,Y,Z, 3 TIMES)

SHEET REF	LEGACY PART NUMBER	PART NUMBER
2	PRADD4-12F-BB0GW	1-1977069-2
2	PRADD4-12F-BB0FW	1-1977069-1
2	PRADD4-12F-BB000	1-1977069-0
1	PRADD2-12F-BB0EW	1977069-9
1	PRADD2-12F-BB0DW	1977069-8
1	PRADD2-12F-BB000	1977069-7
2	PRADD3-12F-BB0GW	1977069-6
2	PRADD3-12F-BB0FW	1977069-5
2	PRADD3-12F-BB000	1977069-4
1	PRADD1-12F-BB0EW	1977069-3
1	PRADD1-12F-BB0DW	1977069-2
1	PRADD1-12F-BB000	1977069-1

THIS DRAWING IS A CONTROLLED DOCUMENT.		DWN M.BINNER	03APR2007	Tyco Electronics Corporation Harrisburg, Pa 17105-3608	
DIMENSIONS: mm [INCHES]		CHK D.ROHDE	APVD -	NAME POWER ROCKER SWITCH, 13.0mm X 19.2mm PANEL CUT-OUT SIZE, DOUBLE POLE,DOUBLE THROW, SIX TERMINALS, NON-ILLUMINATED	
TOLERANCES UNLESS OTHERWISE SPECIFIED: 0 PLC ± - 1 PLC ± 0.30[.012] 2 PLC ± 0.05[.002] 3 PLC ± - 4 PLC ± - ANGLES ± -		PRODUCT SPEC NOT APPLICABLE		SIZE A2	CAGE CODE 00779
MATERIAL 1		FINISH 2		DRAWING NO C=1977069	
WEIGHT -		RESTRICTED TO -		SCALE 3:1	SHEET 3 OF 3
CUSTOMER DRAWING		REV A			