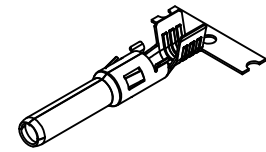
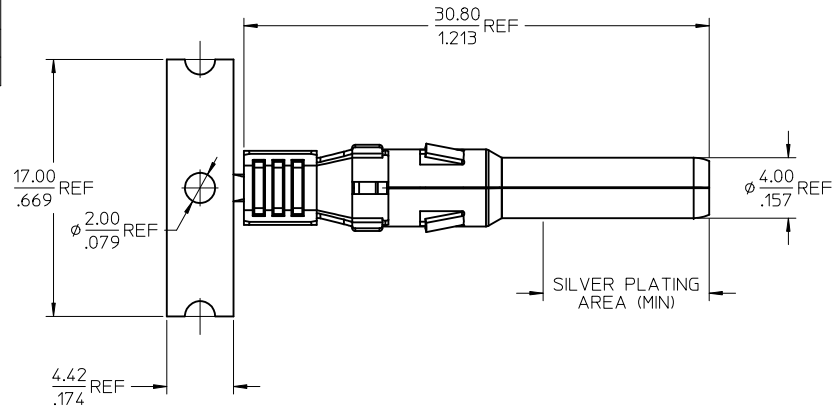
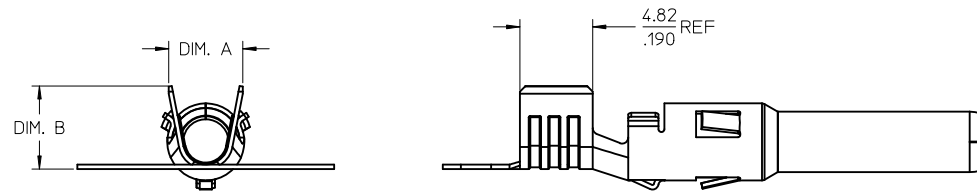


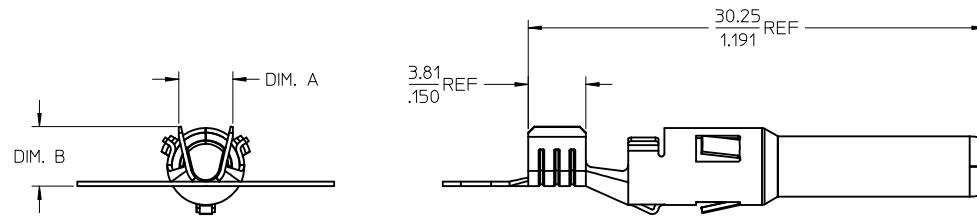
13	12	11	10	9	8
MATERIAL NO. ON STRIP	MATERIAL NO. LOOSE PIECE	CABLE SIZE	DIM. "A" REF	DIM. "B" REF	USE WITH HOUSING ASSY
1301960315	1301960313	2.5mm ² / 14AWG	3.58/.141	3.94/.155	1302440204
1301960314	1301960310	4.0-6.0mm ² / 12-10AWG	4.90/.193	5.51/.217	1302440202



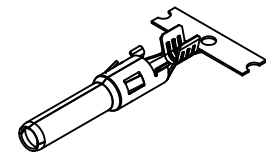
12-10 AWG (4.0-6.0mm²)
SCALE 2:1



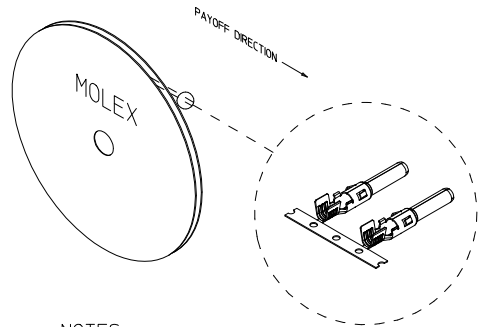
12-10 AWG (4.0-6.0mm²)



14 AWG (2.5mm²)
SAME AS 12-10 AWG
EXCEPT AS NOTED



14 AWG (2.5mm²)
SCALE 2:1



NOTES:

1. MATERIAL: COPPER ALLOY 0.30/.012 THK.
2. FINISH: 2.0μMETER/80μINCH MIN. SELECTIVE SILVER OVER 1.27μMETER/50μINCH MIN. NICKEL OVERALL
3. TERMINAL FOR USE WITH 130244 SERIES PIN HOUSING ASSEMBLY. SEE CHART FOR APPLICABLE PART NUMBERS.
4. STRIP TERMINALS ARE REELED AS SHOWN ABOVE ON ø580MM (22.84") REELS 2,000/REEL WITH 3 REELS PER CARTON.
5. PRODUCT SPECIFICATION: PS-130244-001
6. SEE PK-130197-001 FOR LOOSE PIECE PACKAGING INFO.
7. SEE PK-130196-002 FOR STRIP PACKAGING INFO.
8. APPLICATION TOOLING AND CRIMP SPECIFICATIONS: CONSULT FACTORY.
9. PARTS ARE ROHS COMPLIANT.

DOC RELEASE EC NO: WNAZ011-04/15 DRWNR: RUPERT CHKD: DTITUS APPR: DTITUS DATE: 2011/02/11 DATE: 2012/04/18	QUALITY SYMBOLS ▽=0 ▽=0	GENERAL TOLERANCES (UNLESS SPECIFIED)		DIMENSION STYLE MM/IN		SCALE 4:1	DESIGN UNITS METRIC	THIRD ANGLE PROJECTION		
		4 PLACES ± --- ± --- 3 PLACES ± --- ± --- 2 PLACES ± --- ± --- 1 PLACE ± --- ± ---		DRAWN BY CLYORK		DATE 2010/04/15	TITLE PIN CONTACT, PV SOLAR 14 & 12-10 AWG			
		ANGULAR ± 3 °		APPROVED BY DTITUS		DATE 2010/05/07	Molex MOLEX INCORPORATED			
		DRAFT WHERE APPLICABLE MUST REMAIN WITHIN DIMENSIONS		MATERIAL NO. SEE CHART		DOCUMENT NO. SD-130196-001		SHEET NO. 1 OF 1		

THIS DRAWING CONTAINS INFORMATION THAT IS PROPRIETARY TO MOLEX INCORPORATED AND SHOULD NOT BE USED WITHOUT WRITTEN PERMISSION