

MICRO SWITCH
 FREEPORT ILLINOIS U.S.A.
 A DIVISION OF HONEYWELL
 FED. MFG. CODE 91929

**SWITCH - TOGGLE
 FLUSH KEY**

CATALOG LISTING
2TP30 SERIES
CHART 1

THIS DRAWING COVERS A PROPRIETARY ITEM AND IS THE PROPERTY OF MICRO SWITCH A DIVISION OF HONEYWELL. THIS DRAWING IS NOT TO BE COPIED OR USED WITHOUT THE APPROVAL OF MICRO SWITCH

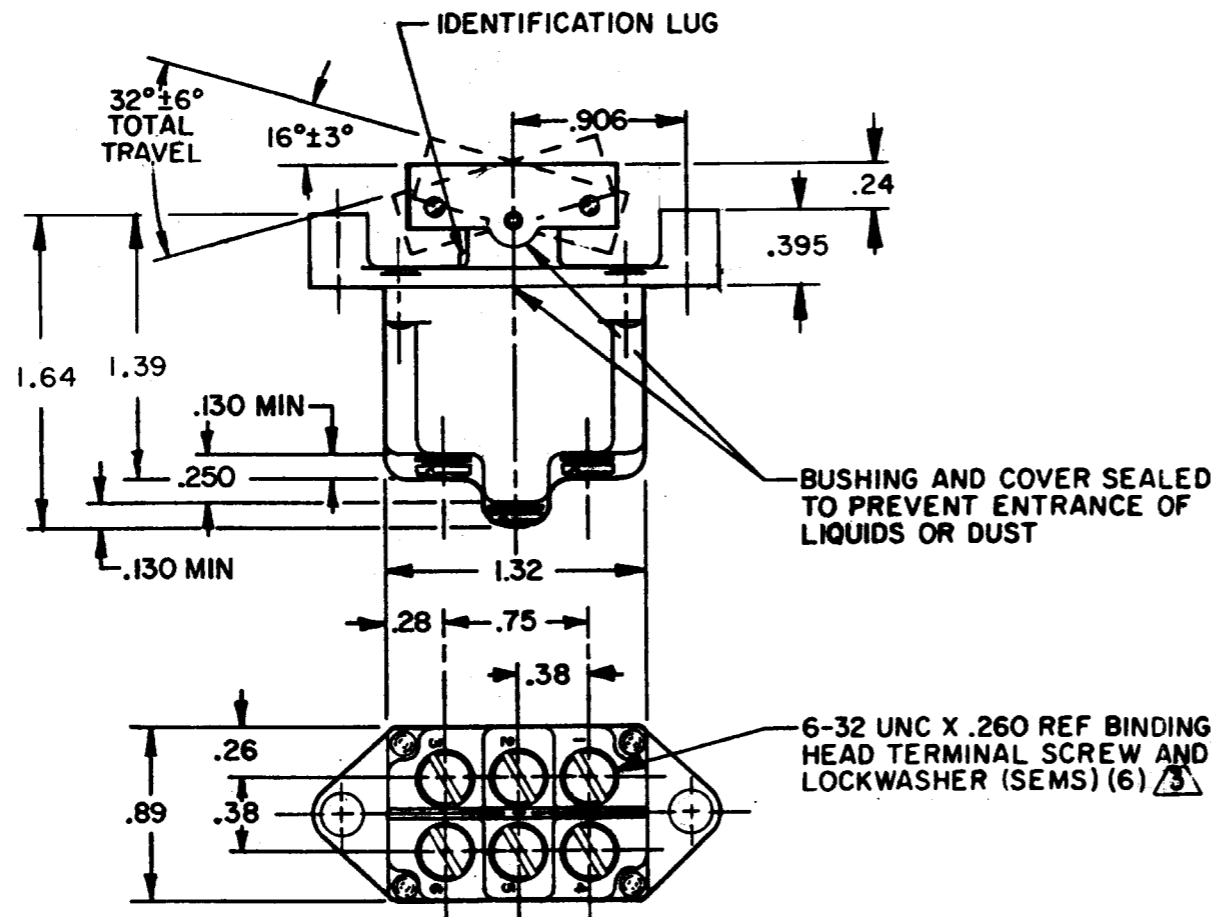
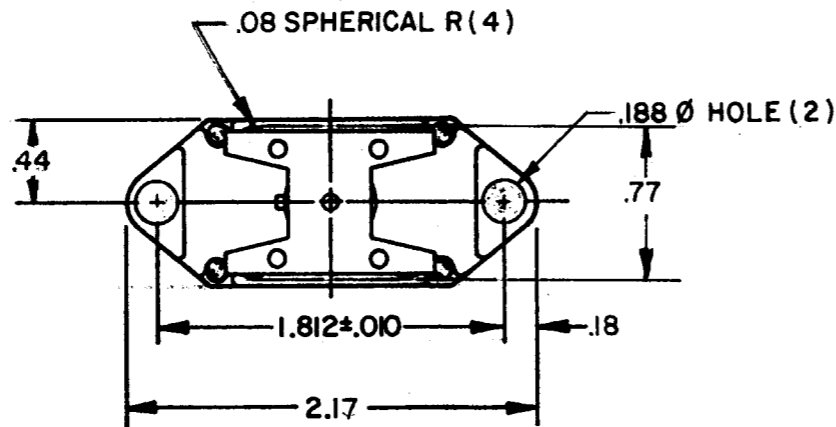
CATALOG LISTING	CIRCUIT MADE WITH DEPRESSED ON		
	LUG SIDE (1-2,4-5)	CENTER (1-2,4-5)	OPPOSITE LUG (2-3,5-6)
2TP30-1	ON	OFF	ON
2TP30-2	OFF	NONE	ON
2TP30-3	ON	NONE	ON
2TP30-21	NONE	OFF	ON
2TP30-31	NONE	ON	ON
2TP30-4	MOM OFF	NONE	ON
2TP30-5	MOM ON	OFF	ON
2TP30-6	MOM ON	NONE	OFF
2TP30-7	MOM ON	OFF	MOM ON
2TP30-8	MOM ON	NONE	ON
2TP30-51	NONE	ON	MOM ON
2TP30-61	MOM ON	OFF	NONE

ELECTRICAL DATA

L191 15A 125, 250, 277 VAC
 1/2HP 125 VAC
 1HP 250, 277 VAC
 5A 125 VAC "L"



L192 10A 125, 250, 277 VAC
 1/4HP 125 VAC,
 1/2HP 250, 277 VAC
 3A 125 VAC "L"



NOTES

- 1 - THESE SWITCHES WILL WITHSTAND TEMPERATURE OF 160°F
- 2 - CIRCUIT DESIGNATION AND MICRO SWITCH CATALOG LISTING STAMPED ON SIDE OF SWITCH

3 - SCREWS FURNISHED UNASSEMBLED

2TP30 SERIES
 CHART 1
 PAGE 1 OF 1

M

DRAWING NUMBER

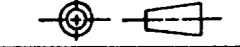
ISSUE X 5

ISSUE X 4

REVISIONS

A	C049167	
B	CJH	16 JUL 81
C	WJK	22 OCT 86
D	200173	30 MAR 00

THIRD ANGLE PROJECTION



SCALE FULL

DO NOT SCALE PRINT

TOLERANCES
 APPLY TO DESIGN UNITS. CONVERSIONS ARE ONLY FOR REFERENCE. UNLESS NOTED, TOLERANCES ARE ±

DIM.	TOL.	DIM.	TOL.	
mm	mm/10	in	mm/10	
NO PLACES	X	1/.04		
ONE PLACE	X.X	0.4/0.015	X.Y	0.5/0.05
TWO PLACES	X.XX	0.4/0.005	X.XX	0.30/0.015
THREE PLACES	X.XXX	0.15/0.005	X.XXX	0.15/0.005

DESIGN UNITS SI METRIC US CUSTOMARY

RAW MATERIAL—COMMERCIAL STANDARD
 MICRO SWITCH STANDARDS APPLY
 DIMENSIONS ARE TO BE MET BEFORE
 PROTECTIVE COATINGS ARE APPLIED

WEIGHT .14 LB EST

FORMTEK

FO-52854-B

DRAWN

RELEASE NO. PR-9347 REPLACES CHECK C E B 9 SEPT 80 CHECK C E B 9 SEPT 80 CHECK C E B 9 SEPT 80