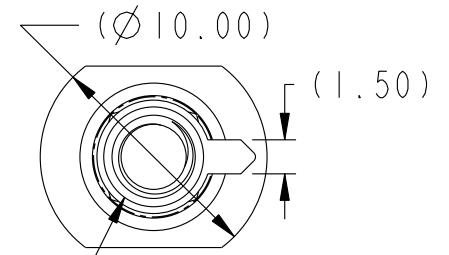
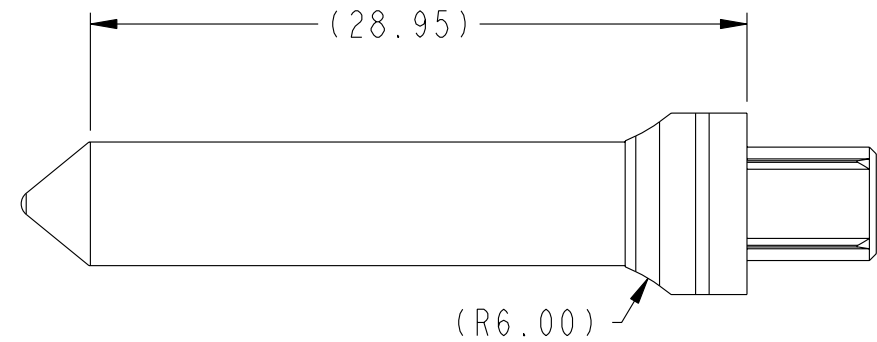
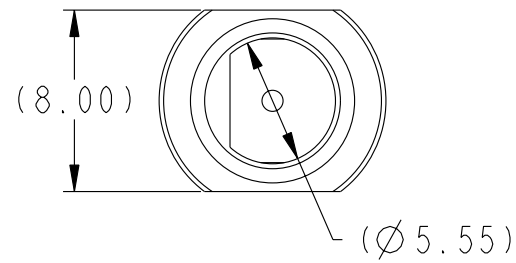
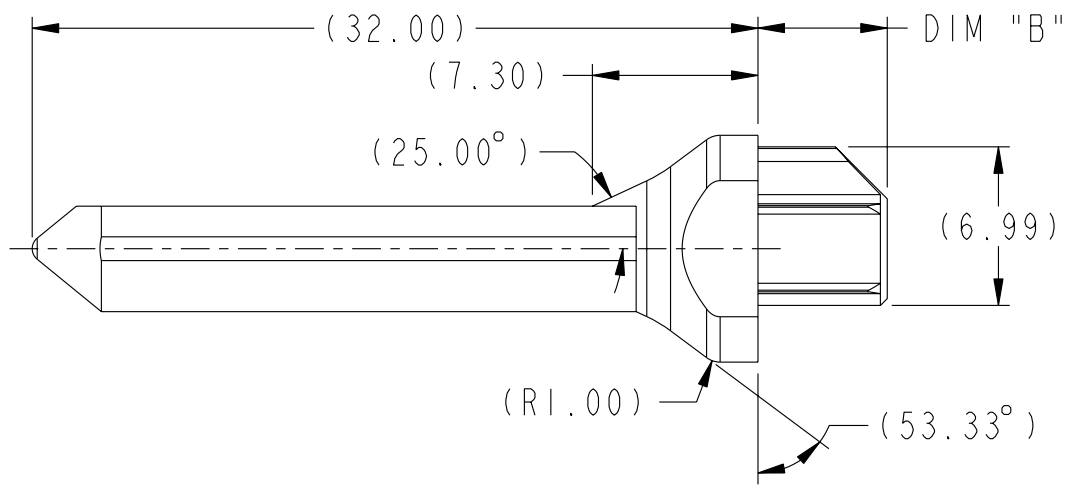


PRODUCT NUMBER
SEE TABLE, SHT 3



M3.5 X 0.6-6H
SEE TABLE DIM "D"
FOR THREAD DEPTH

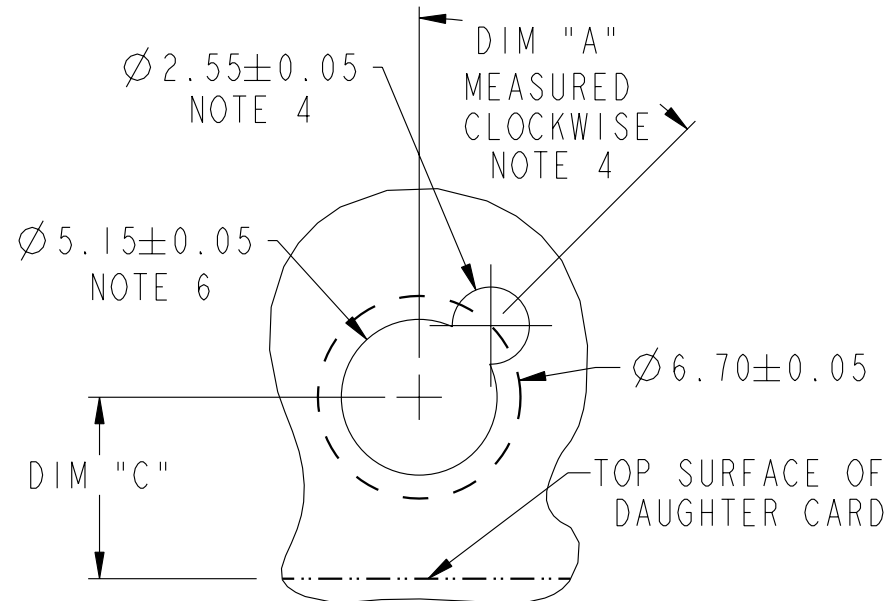


Copyright FCI.

rev	ecn no	dr	date
A	S07-0096	CH	2007-04-02
-	-	-	-
-	-	-	-
-	-	-	-
-	-	-	-
-	-	-	-

www.fciconnect.com		surface 3.2 ASME Y14.5	tolerance std ASME Y14.5 3.2	projection MM
TOLERANCES UNLESS OTHERWISE SPECIFIED		TOLERANCES UNLESS OTHERWISE SPECIFIED		size A4
Dr	C. H. TAN	2006-06-29	ANGULAR	Scale 3:1
Eng	C. H. TAN	2006-06-29	LINEAR	0.X ±0.3
Chr	C. H. TAN	2007-04-02	0° ±2°	0.XX ±0.10
Appr	JOEY NG	2007-04-02	0.XXX ±0.050	ECN ***
Product family AirMax Accessories			Spec ref	-
FCI logo		10.8mm GUIDE PIN, INTERNAL THREAD, W/ CHAMFER LEAD-IN		Rev. A
catalog no	-	dwg no	10070288	sheet 1 of 3
CUSTOMER		-		

PRODUCT NUMBER	DIM "B"	DIM "C" 4/5 PAIR	DIM "C" 2/3 PAIR	DIM "D"
10070288-104LF	2.40	6.00	4.50	4.10



10.8 MM RECEPTACLE GUIDE MODULE NOTE 4	DIM "A"
10037912-1X1LF	0°
10037912-1X2LF	45°
10037912-1X3LF	90°
10037912-1X4LF	135°
10037912-1X5LF	180°
10037912-1X6LF	225°
10037912-1X7LF	270°
10037912-1X8LF	315°

FCI	title	10.8mm GUIDE PIN, INTERNAL THREAD, W/ CHAMFER LEAD-IN	dwg no	10070288	Rev.	A
	catalog no	-	CUSTOMER	sheet 2 of 3		

1

2

3

4

A

B

C

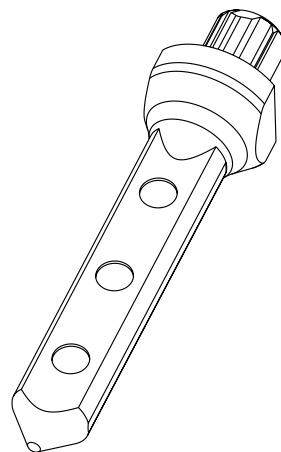
D

A

B

C


D



- ①. MATERIAL: ZINC ALLOY
2. FINISH: ZINC YELLOW CHROMATE
3. APPLICATION SPECIFICATION: GS-20-045
- ④. KEY HOLE ORIENTATION (DIM "A") WILL BE DEFINED BY THE MATING RECEPTACLE GUIDE MODULE PART NUMBER - SEE TABLE (ORIENTATION SHOWN IS FOR 10037912-1X2LF)
- ⑤. REFER TO CUSTOMER DRAWING 10035911 FOR INFORMATION REGARDING PCB LAYOUT OF POWER AND GUIDE MODULES RELATIVE TO SIGNAL MODULES
6. THRU HOLE PLATING AND ANNULAR RINGS MUST BE ADDED IN APPLICATIONS THAT USE THE ESD GROUNDING OPTION FINISHED HOLE SIZE IS THE SAME REGARDLESS OF PLATED BARREL OR NOT.
7. THIS PRODUCT MEETS EUROPEAN UNION DIRECTIVES AND OTHER COUNTRY REGULATIONS AS DESCRIBED IN GS-22-008.
8. PACKAGING MEETS GS-14-920 LEAD FREE LABELING SPECIFICATION.



Copyright FCI.

	title 10.8mm GUIDE PIN, INTERNAL THREAD, W/ CHAMFER LEAD-IN	dwg no 10070288	Rev. A
	catalog no -	CUSTOMER	sheet 3 of 3