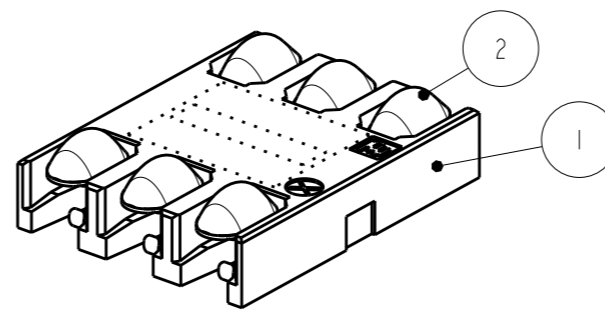
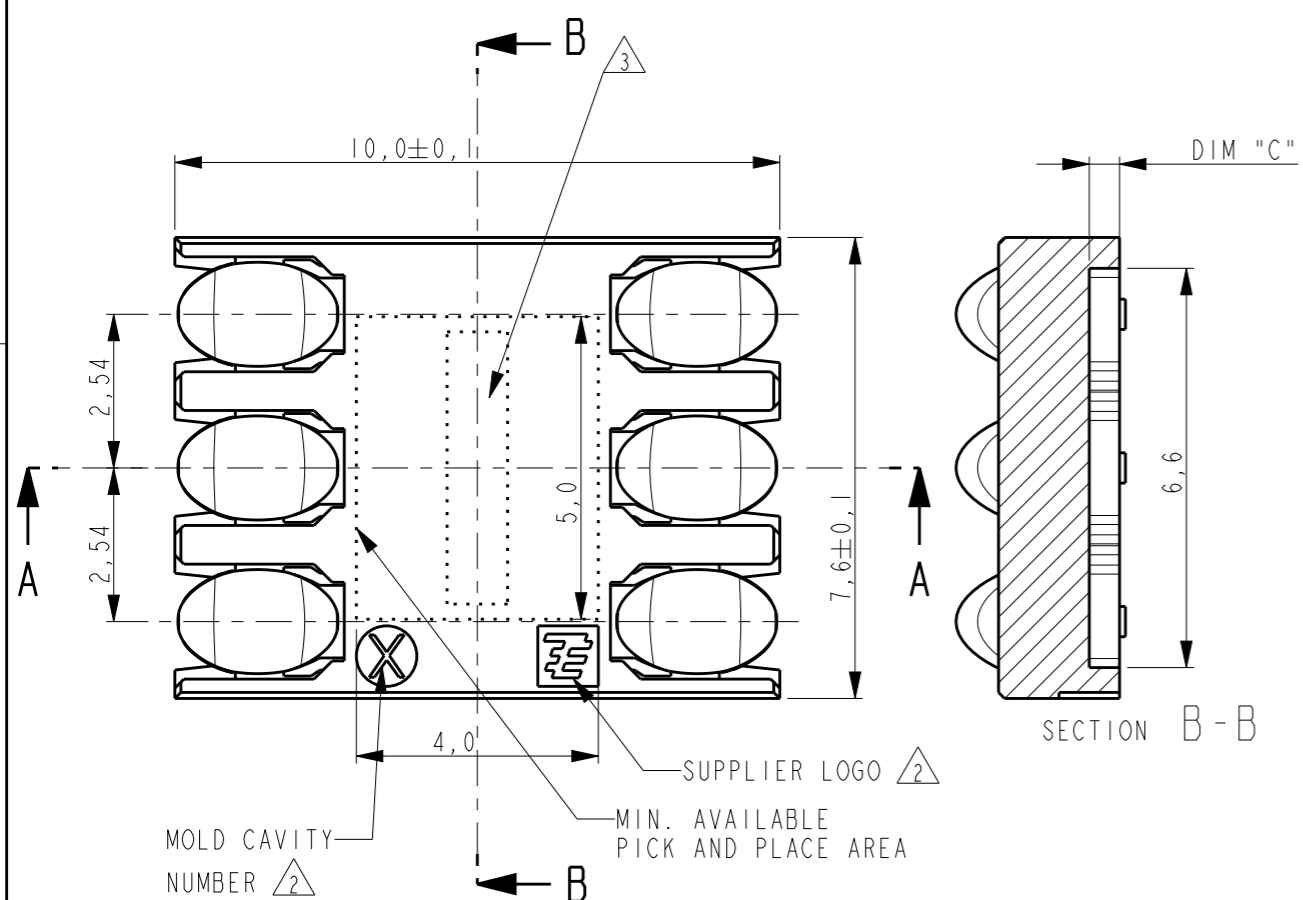
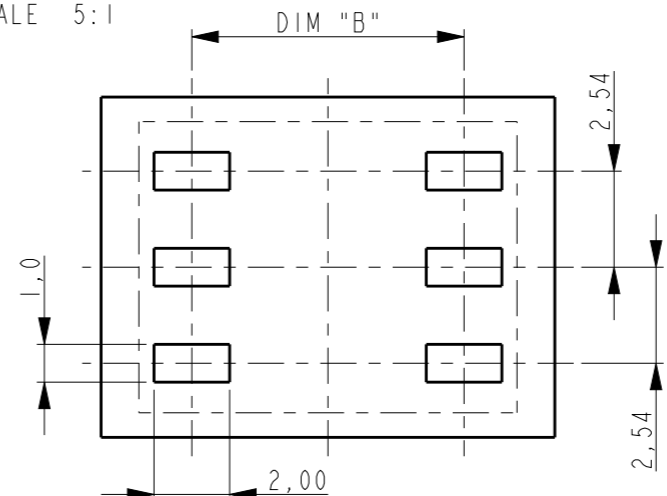


THIS DRAWING IS UNPUBLISHED. RELEASED FOR PUBLICATION
 © COPYRIGHT - BY - ALL RIGHTS RESERVED.

LOC	DIST	REVISIONS					
H	-	P	LTR	DESCRIPTION	DATE	DWN	APVD
			G3	ECR-09-016740	24JUL2009	WJ	DH
			H	ECR-10-002866	26FEB2010	JvH	DH
			HI	REVISED PER ECO-11-005294	28APR2012	RK	HMR
			J	ECR-13-002204	18FEB2013	S.W	S.Y



SCALE 5:1

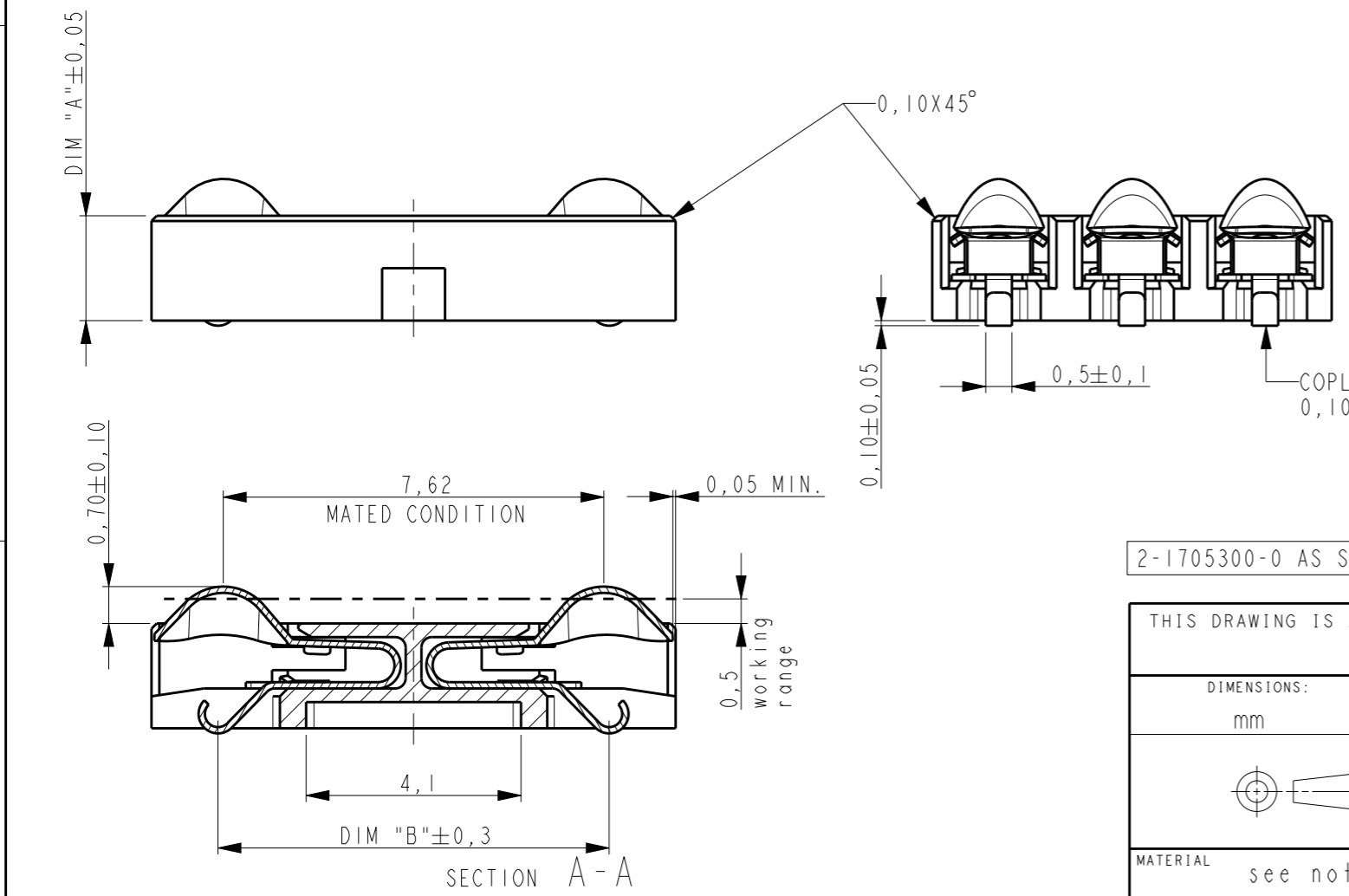


RECOMMENDED PCB LAYOUT (REF.)
SCALE 5:1

PARTNUMBER	WEIGHT	DIM A	DIM B	DIM C
5-1705300-0	0,34	5,00	6,6	3,5
4-1705300-9	0,33	4,90	7,6	3,4
4-1705300-8	0,33	4,80	6,6	3,3
4-1705300-7	0,32	4,70	7,6	3,2
4-1705300-6	0,32	4,60	6,9	3,1
4-1705300-5	0,32	4,50	7,7	3,0
4-1705300-4	0,31	4,40	6,8	2,9
4-1705300-3	0,31	4,30	7,6	2,8
4-1705300-2	0,30	4,20	6,8	2,7
4-1705300-1	0,30	4,10	7,5	2,6
3-1705300-9	0,29	3,90	7,5	2,4
3-1705300-8	0,28	3,80	7,1	2,3
3-1705300-7	0,28	3,70	7,6	2,2
3-1705300-6	0,27	3,60	7,1	2,1
3-1705300-5	0,27	3,50	7,6	2,0
3-1705300-4	0,26	3,40	6,7	1,9
3-1705300-3	0,26	3,30	7,3	1,8
3-1705300-2	0,25	3,20	7,7	1,7
3-1705300-1	0,25	3,10	7,0	1,6
2-1705300-9	0,24	2,90	7,7	1,4
2-1705300-8	0,23	2,80	6,9	1,3
2-1705300-7	0,23	2,70	7,2	1,2
2-1705300-6	0,23	2,60	7,5	1,1
2-1705300-5	0,22	2,50	7,7	1,0
2-1705300-4	0,22	2,40	7,1	0,9
2-1705300-3	0,21	2,30	7,3	0,8
2-1705300-2	0,20	2,20	7,3	0,7
2-1705300-1	0,20	2,10	7,5	0,6
2-1705300-0	0,20	2,00	7,5	0,5
1-1705300-9	0,19	1,90	7,6	0,4
1-1705300-8	0,19	1,80	7,7	0,3
1-1705300-7	0,18	1,70	7,8	0,2
1-1705300-6	0,18	1,60	7,8	0,1
1-1705300-5	0,18	1,50	7,8	0,0

NOTES:

- 1 CONTACT PLATING:
1,2µm NICKEL UNDERLAYER
1,25µm MIN. GOLD AT CARD SIDE
0,1-0,2µm GOLD AT SOLDER SIDE
- 2 MARKINGS ON RECESSED AREA
- 3 LASER PRINTED: EXAMPLE: 3104 AH:
DAY 3, WEEK 10, YEAR 2004,
PRODUCTIONLINE A, PRODUCTION DRAWING REVISION H
- 4 PACKAGING INFO SEE SHEET 2.
- 5 OBSOLETE



2-1705300-0 AS SHOWN

THIS DRAWING IS A CONTROLLED DOCUMENT.		DWN W. Jansen 17-Sep-03
DIMENSIONS: mm		CHK W. Jansen 17-Sep-03
TOLERANCES UNLESS OTHERWISE SPECIFIED:		APVD P. Jaeger 17-Sep-03
0 PLC ±-	1 PLC ±0,1	PRODUCT SPEC 108-19280
2 PLC ±0,05	3 PLC ±-	APPLICATION SPEC 114-19092
4 PLC ±-	ANGLES ±-	WEIGHT gram
MATERIAL see notes	FINISH see notes	Customer Drawing

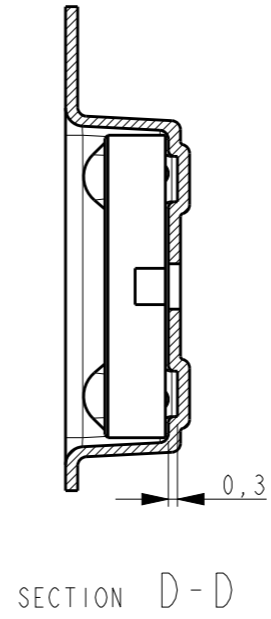
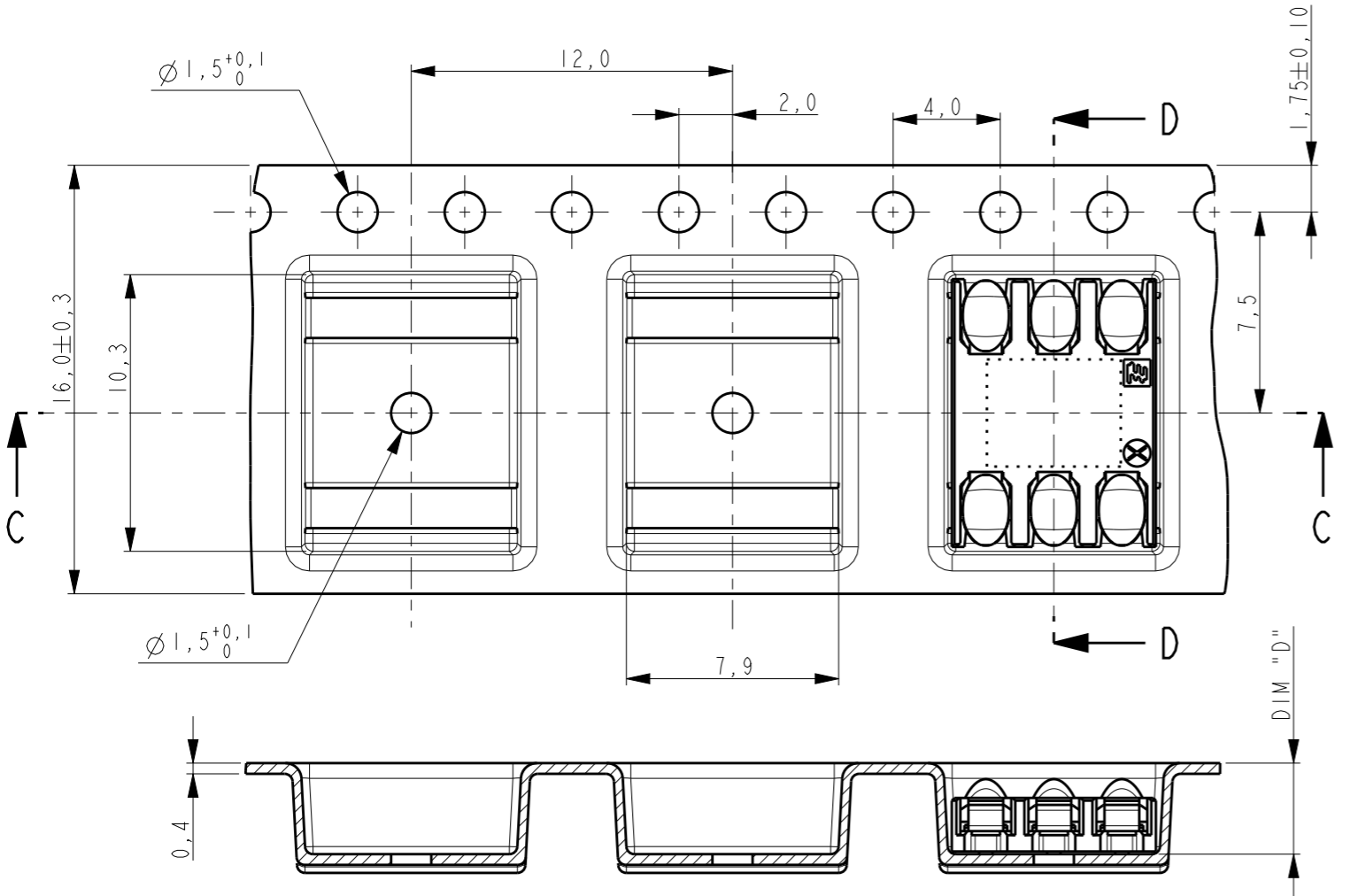
2	CONTACT	COPPER ALLOY	SEE NOTES
1	HOUSING	GF LIQUID CRISTAL POLYMER	BLACK
ITEM NO.	DESCRIPTION	MATERIAL	FINISH



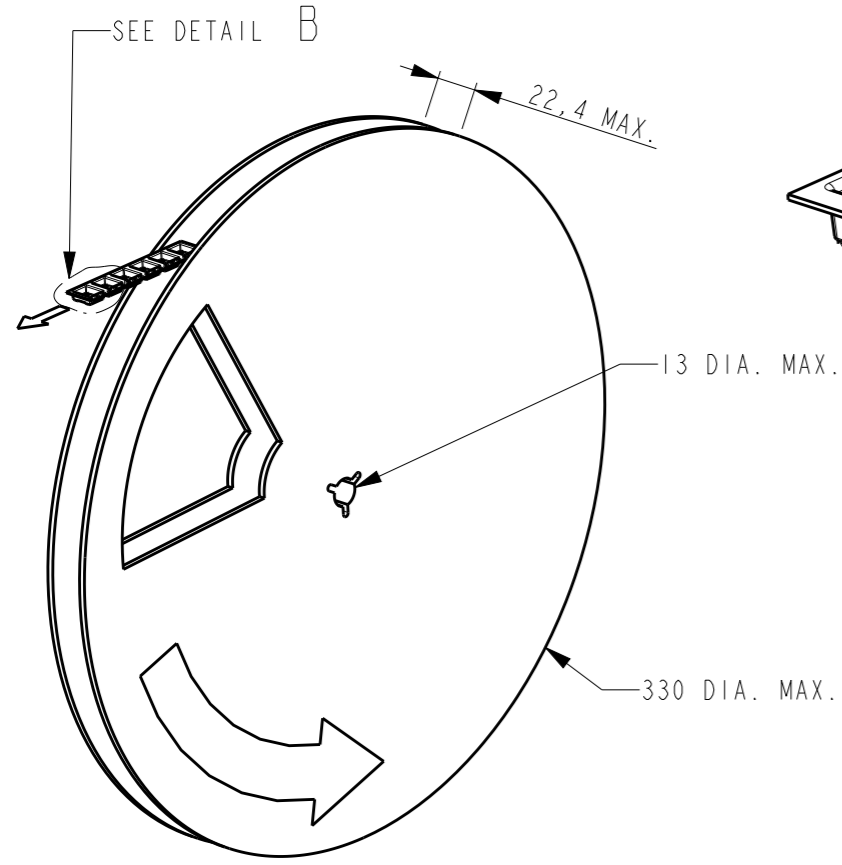
NAME SIM CONNECTOR 5 DIRECTIONAL 6 positions			
SIZE A3	CAGE CODE 00779	DRAWING NO C-1705300	RESTRICTED TO -
SCALE 8:1		SHEET 1 OF 2	REV J

THIS DRAWING IS UNPUBLISHED. RELEASED FOR PUBLICATION
 © COPYRIGHT - BY - ALL RIGHTS RESERVED.

LOC	DIST	REVISIONS					
H	-	P	LTR	DESCRIPTION	DATE	DWN	APVD
				SEE SHEET 1			



SECTION C-C



DETAIL B
SCALE 2:1

NOTES:

- △ THE FIRST 33 POCKETS ARE EMPTY AND THE LAST 13 POCKETS ARE EMPTY.
ONE REEL CONTAINS X PRODUCTS (SEE TABLE).
- △ OBSOLETE

PARTNUMBER	DIM "D"	PRODUCTS/REEL
5-1705300-0	6,4	800
4-1705300-9	6,4	800
4-1705300-8	6,4	800
4-1705300-7	6,4	800
4-1705300-6	6,4	800
4-1705300-5	6,4	800
4-1705300-4	5,4	950
4-1705300-3	5,4	950
4-1705300-2	5,4	950
4-1705300-1	5,4	950
4-1705300-0	5,4	950
3-1705300-9	5,4	950
3-1705300-8	5,4	950
3-1705300-7	5,4	950
3-1705300-6	5,4	950
3-1705300-5	5,4	950
3-1705300-4	4,4	1150
3-1705300-3	4,4	1150
3-1705300-2	4,4	1150
3-1705300-1	4,4	1150
3-1705300-0	4,4	1150
2-1705300-9	4,4	1150
2-1705300-8	4,4	1150
2-1705300-7	4,4	1150
2-1705300-6	4,4	1150
2-1705300-5	4,4	1150
2-1705300-4	3,4	1450
2-1705300-3	3,4	1450
2-1705300-2	3,4	1450
2-1705300-1	3,4	1450
2-1705300-0	3,4	1450
1-1705300-9	3,4	1450
1-1705300-8	3,4	1450
1-1705300-7	3,4	1450
1-1705300-6	3,4	1450
1-1705300-5	3,4	1450

2-1705300-0 AS SHOWN

DESCRIPTION	MATERIAL	COLOUR
SEALED COVER TAPE	PET/PE	TRANSPARENT
EMBOSSED CARRIER TAPE	PS	GREY
REEL	PS	GREY

THIS DRAWING IS A CONTROLLED DOCUMENT.		DWN W. Jansen 17-Sep-03
DIMENSIONS: mm		CHK W. Jansen 17-Sep-03
TOLERANCES UNLESS OTHERWISE SPECIFIED:		APVD P. Jaeger 17-Sep-03
0 PLC	±-	PRODUCT SPEC 108-19280
1 PLC	±0,1	APPLICATION SPEC 114-19092
2 PLC	±0,05	WEIGHT gram
3 PLC	±-	Customer Drawing
4 PLC	±-	
ANGLES	±-	
FINISH	see notes	

STE TE Connectivity

NAME
SIM CONNECTOR
5 DIRECTIONAL
6 positions

SIZE A3	CAGE CODE 00779	DRAWING NO C-1705300	RESTRICTED TO -
------------	--------------------	-------------------------	--------------------

SCALE 8:1 SHEET 2 OF 2 REV J