

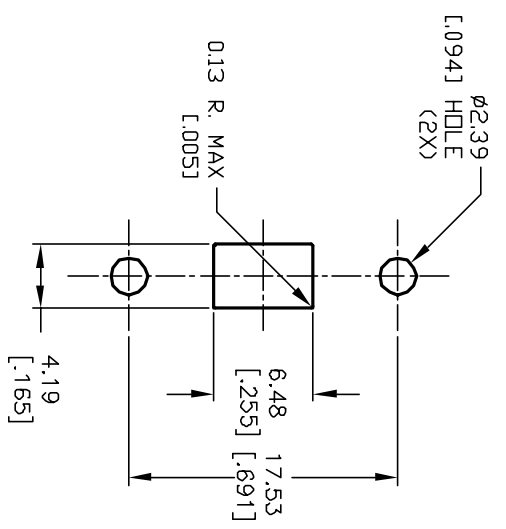
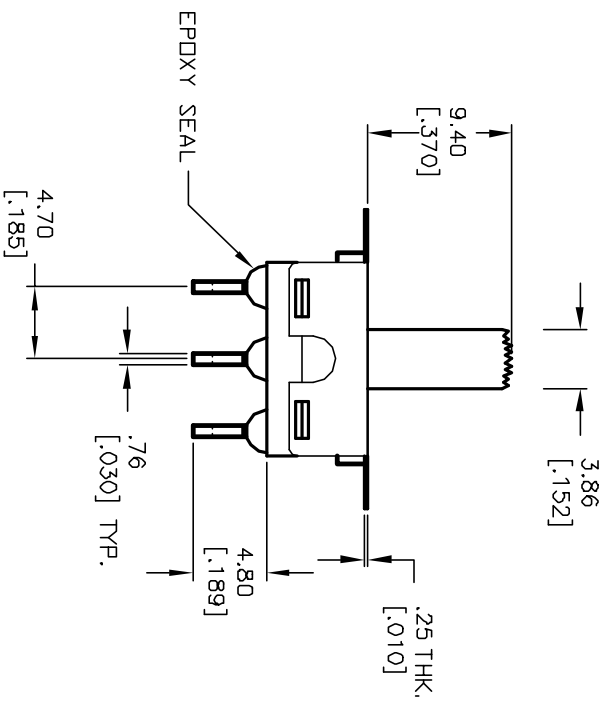
CIRCUIT, SPDT

SWITCH FUNCTION		
PDS. 1	PDS. 2	PDS. 3
DN	NONE	DN
2-1	OPEN	2-3

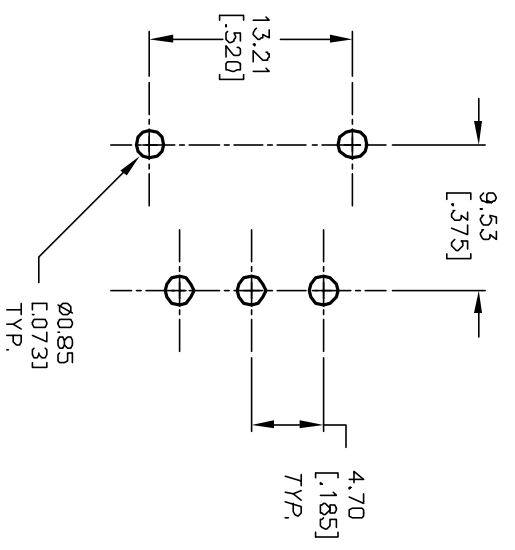
REV.	ECN No.	DESCRIPTION	DATE	CHKD
A	11979	RELEASED FOR PRODUCTION	2/26/02	CJB

TITLE	SCALE	DATE	DR	DWG	REV
500 SSP-1 S3 M6 Q E B	2:1	2/26/02	CJB	T511029	A

- NOTES:
1. ALL DIMENSIONS IN MM [INCH]
 2. GENERAL TOLERANCE: X.X=±0.4
X.XX=±0.25
 3. TERM NOS. FOR REF. ONLY
 4. RATING: 5A @120VAC or 28VDC (Resistive Load)
2A @250VAC
 5. CONTACT MATERIAL: Copper Alloy w/Silver Plating
 6. INSULATION RESISTANCE: 1000 Mega Ohms min.
 7. DIELECTRIC STRENGTH: 1000V RMS @SEA LEVEL.
 8. OPERATING TEMPERATURE: -30°C TO 85°C



RECOMMENDED PANEL CUTOUT



RECOMMENDED P.C.B. LAYOUT



THE INFORMATION CONTAINED IN THIS DOCUMENT IS PROPRIETARY TO E-SWITCH AND IS NOT TO BE COPIED OR TRANSFERRED