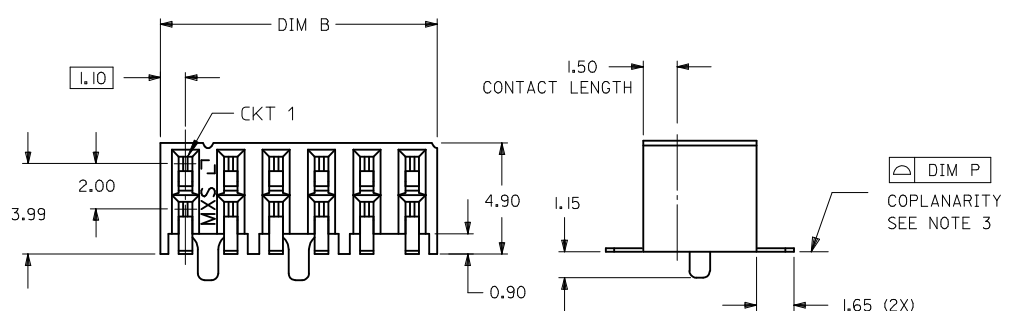
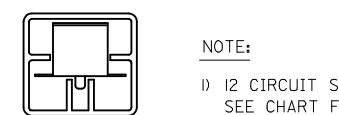
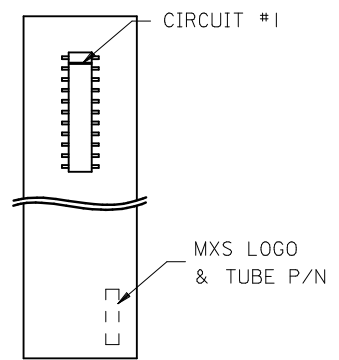


10 9 8 7 6 5 4 3 2 1

PART NO. TAPE/REEL	CKT	"A"	"B"	"F"	"P"	PLATE OPTION	PART NO. TUBE	T&R QTY PER REEL
87368-6123	08	6.00	8.20	4.00	0.10	C	87368-0824	750
87368-6122	10	8.00	10.20	4.00	0.10	D	87368-1025	750
87368-6100	12	10.00	12.20	4.00	0.13	C	87368-1224	750
87368-6101						D	87368-1225	
87368-6124	16	14.00	16.20	8.00	0.13	D	87368-1625	750
87368-6102	18	16.00	18.20	10.00	0.13	C	87368-1824	750
87368-6103						D	87368-1825	
87368-6111	22	20.00	22.20	14.00	0.13	C	87368-2224	750
87368-6112						D	87368-2225	
87368-6104	24	22.00	24.20	16.00	0.15	C	87368-2424	750
87368-6105						D	87368-2425	
87368-6134	44	42.00	44.20	36.00	0.15	C	87368-4424	650
87368-6135						D	87368-4425	
87368-6140	50	48.00	50.20	42.00	0.15	C	87368-5024	650
87368-6141						D	87368-5025	

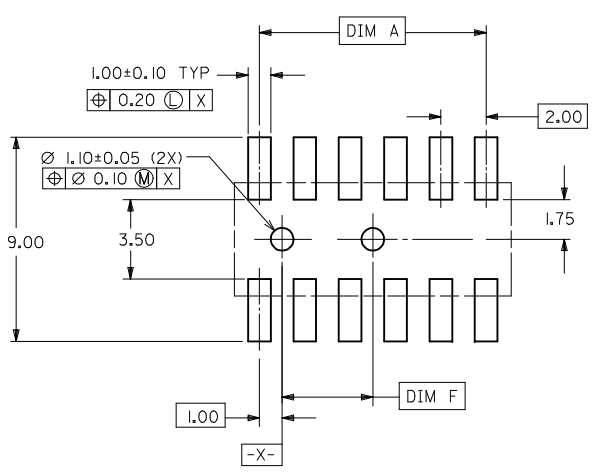
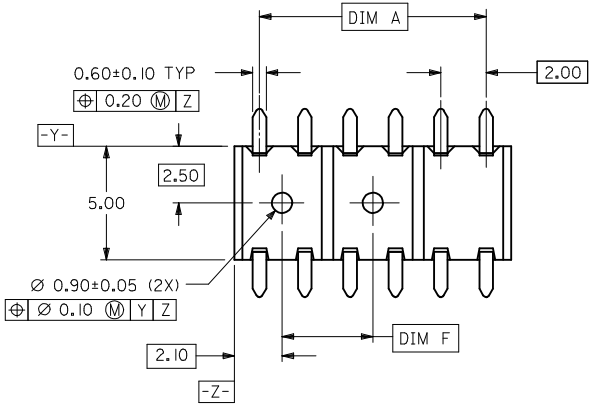


\square DIM P
COPLANARITY SEE NOTE 3



NOTE:
1) I2 CIRCUIT SIZE SHOWN FOR ILLUSTRATION ONLY. SEE CHART FOR AVAILABLE PART SIZES.
2) PLATING FINISH:
C - 0.38um/15uin MIN. GOLD IN CONTACT AREA
2.54um/100uin MIN. TIN IN SOLDER TAIL AREA BOTH OVER 1.27um/50uin MIN. NICKEL OVERALL
D - 0.76um/30uin MIN. GOLD IN CONTACT AREA
2.54um/100uin MIN. TIN IN SOLDER TAIL AREA BOTH OVER 1.27um/50uin MIN. NICKEL OVERALL

- 3) COPLANARITY OF SOLDER TAIL IS TO BE MEASURED BY RESTING THE PART ON A FLAT GAUGE SURFACE.
- 4) RECOMMENDED PC BOARD THICKNESS IS 1.60 ± 0.10mm.
- 5) PRODUCT SPECIFICATION PS-87264 APPLIES.
- 6) PART MATEABLE TO ALL MILLI-GRID HEADERS WITH MATING PIN LENGTH BETWEEN 2.50mm AND 4.20mm
- 7) PARTS SHALL BE PACKED IN MOISTURE BARRIER BAG.



RECOMMENDED P.C. BOARD LAYOUT

PARTS IN TUBE (NTS)

ADD 16CKT OPTION
EC NO: S2013-0464
DRWN:SKANG 2013/01/27
CHKD:ATSEE 2013/02/01
APPR:MLONG 2013/02/01

QUALITY SYMBOLS	GENERAL TOLERANCES (UNLESS SPECIFIED)		DIMENSION STYLE		SCALE	DESIGN UNITS	THIRD ANGLE PROJECTION
	mm	INCH	MM ONLY		NTS	METRIC	
$\blacktriangledown=0$	4 PLACES	± ---	± ---	DRAWN BY	DATE	TITLE	MGRID 2MM DUAL ROW HEADER SIDE ENTRY RECEPT., SMT MOLEX MOLEX INCORPORATED
$\triangleleft=0$	3 PLACES	± ---	± ---	CHECKED BY	DATE		
	2 PLACES	± 0.20	± ---	APPROVED BY	DATE		
	1 PLACE	± ---	± ---	RWONG	1996/04/15		
	ANGULAR ± 3 °		MATERIAL NO.	DOCUMENT NO.			

DRAWN BY		DATE	TITLE	
SAMC		1996/01/18	MGRID 2MM DUAL ROW HEADER SIDE ENTRY RECEPT., SMT MOLEX MOLEX INCORPORATED	
CHECKED BY		DATE		
SQUEK		1996/04/15		
APPROVED BY		DATE		
RWONG		1996/04/15		
MATERIAL NO.		DOCUMENT NO.		
SEE TABLE		SD-87368-6000		
DRAFT WHERE APPLICABLE MUST REMAIN WITHIN DIMENSIONS		SHEET NO.		
SIZE A3		1 OF 2		

9 8 7 6 5 4 3 2 1

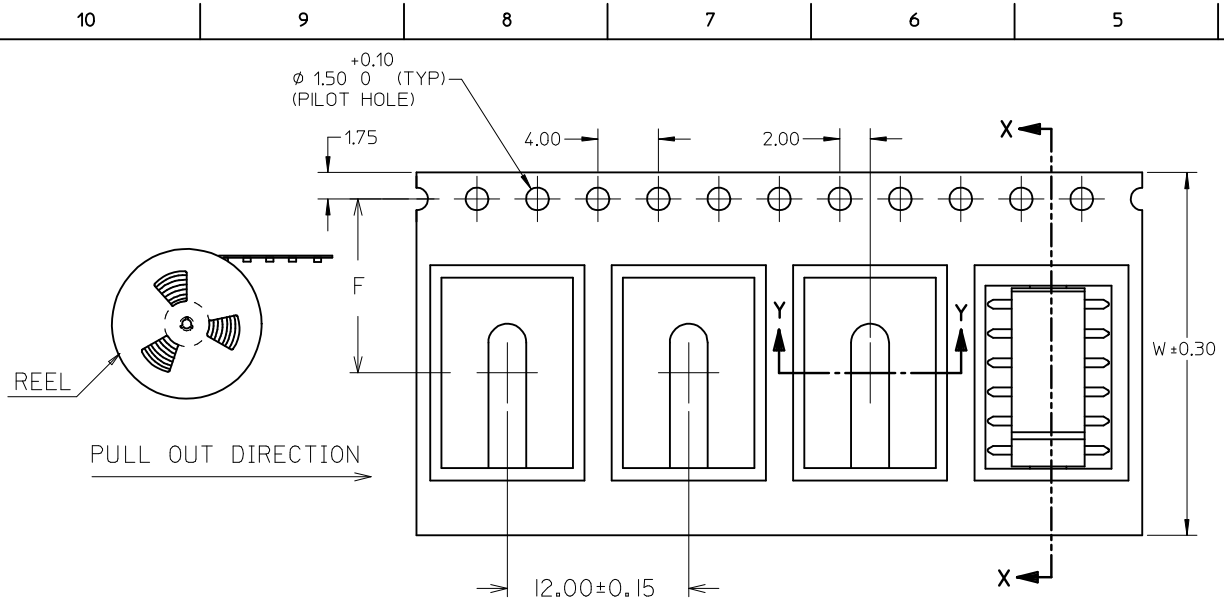
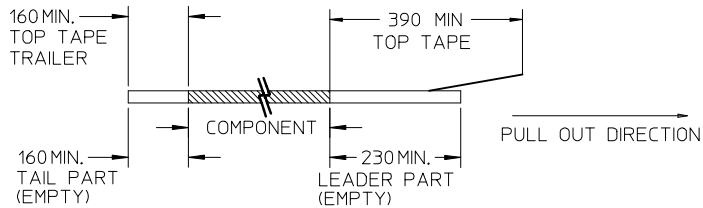


FIG 1 (FOR So DIM ILLUSTRATION)

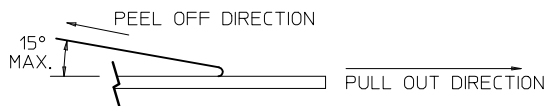
CKT SIZE	PART NO. TAPE/REEL	W	F	So	Bo	B ₁
08	87368-6123	24	11.50	NA	8.60	-
10	87368-6122	24	11.50	NA	10.60	7.00
12	87368-6100	24	11.50	NA	12.60	9.00
	87368-6101	24	11.50	NA	12.60	9.00
16	87368-6124	24	11.50	NA	16.60	13.00
18	87368-6102	32	14.20	28.40	18.60	15.00
	87368-6103	32	14.20	28.40	18.60	15.00
22	87368-6111	32	14.20	28.40	22.60	19.00
	87368-6112	32	14.20	28.40	22.60	19.00
24	87368-6104	44	20.20	40.40	24.60	21.00
	87368-6105	44	20.20	40.40	24.60	21.00
44	87368-6134	56	26.20	52.40	44.60	41.00
	87368-6135	56	26.20	52.40	44.60	41.00
50	87368-6140	72	34.20	68.40	50.60	47.00
	87368-6141	72	34.20	68.40	50.60	47.00

NOTES:

1. LEADER AND TRAILER TAPE

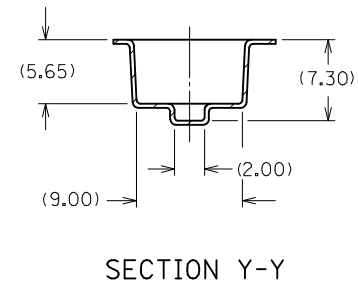
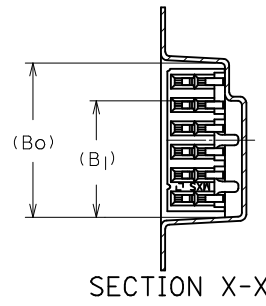
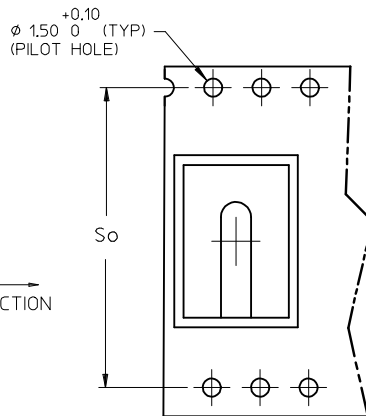


2. PEELING OFF FORCE OF THE TOP TAPE: 20-80gf. (PEELING DIRECTION AS SHOWN IN FOLLOWING FIGURE)



3. PACKAGING STANDARD IS AS PER EIA-481.

4. TAPE & REEL QUANTITY = SEE TABLE



REV	DESCRIPTION	QUALITY SYMBOLS	GENERAL TOLERANCES (UNLESS SPECIFIED)		DIMENSION STYLE		SCALE	DESIGN UNITS	THIRD ANGLE PROJECTION	
			mm	INCH	MM ONLY	TITLE			NTS	METRIC
D7	ADD 16CKT OPTION EC NO: S2013-0464 DRWN:SKANG CHKD:ATSEE APPR:MLONG	▽=0 ◻=0	4 PLACES	± ---	± ---	DRAWN BY	DATE	MGRID 2MM DUAL ROW HEADER SIDE ENTRY RECEPT., SMT MOLEX INCORPORATED	MATERIAL NO. SEE TABLE	SHEET NO. 2 OF 2
			3 PLACES	± ---	± ---	CHECKED BY	DATE			
			2 PLACES	± 0.20	± ---	APPROVED BY	DATE			
			1 PLACE	± ---	± ---	RWONG	1996/04/15			
			ANGULAR ± 3 °		DRAWN BY		DATE	MATERIAL NO. DOCUMENT NO. SHEET NO.		
			DRAFT WHERE APPLICABLE MUST REMAIN WITHIN DIMENSIONS		DATE		1996/04/15	SD-87368-6000		
					SIZE		THIS DRAWING CONTAINS INFORMATION THAT IS PROPRIETARY TO MOLEX INCORPORATED AND SHOULD NOT BE USED WITHOUT WRITTEN PERMISSION			
					A3					