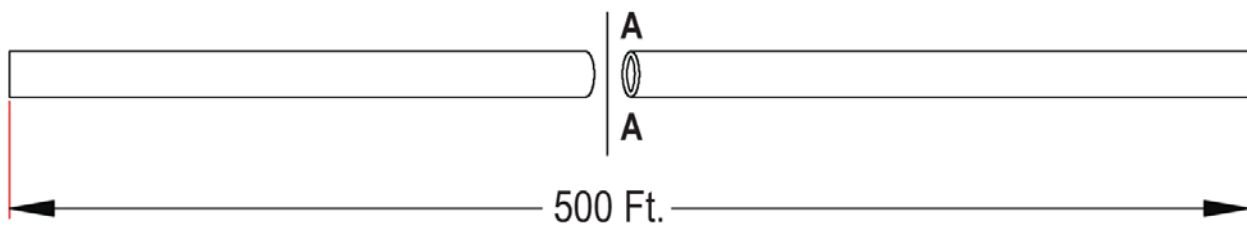


A



A

B

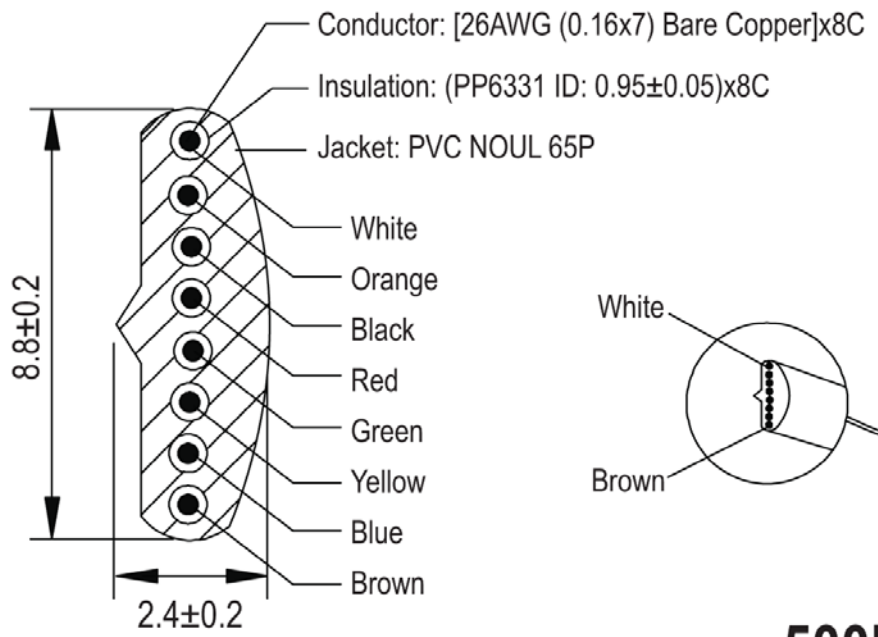
C

D

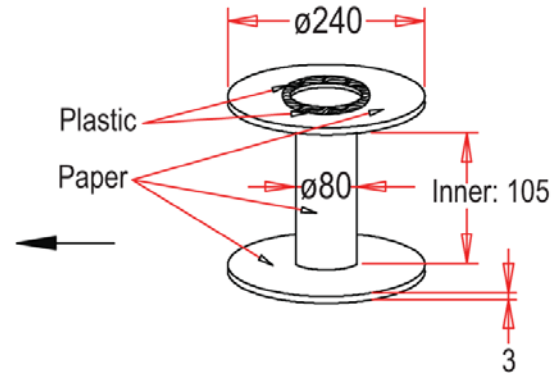
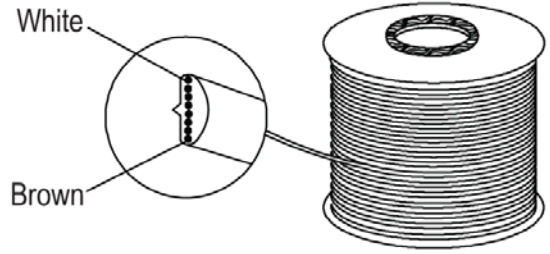
E

F

H



Sec: A - A



500Ft/R. "PE" Foam Wrapped

Voltage rating: 30V (DC)

Unit: MM



Scale	1:1					Name
TOLERANCE					Drawn	11.18.11
X.X	±0.40				Approved	Chappell
X.XX	±0.25					
X.XXX	±0.15					
Angle	±3°					
		Modification	Date	Name		

Item No.	AT-K-26-8-B/500	
Title	Modular Straight cable - Raw, 8 Contact, 26AWG, Black, 500Ft	
Drawing No.		rev00
Replace		Sheet