

# MALE PCB PINS

## SOLDER TERMINAL TURRETS

### 2304

2304-X-00-XX-00-00-07-0

Swage mount in .076 hole



### 2305

2305-X-00-XX-00-00-07-0

Swage mount in .076 hole

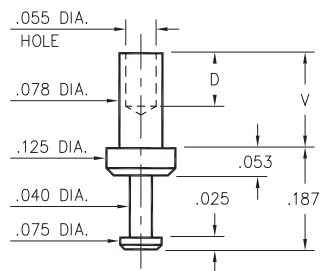


Basic Part Number	Board Thickness	Length V
230X-1	.031	.051
230X-2	.062	.082
230X-3	.094	.113
230X-4	.125	.145

### 2503

2503-X-00-XX-00-00-07-0

Swage mount in .082 hole

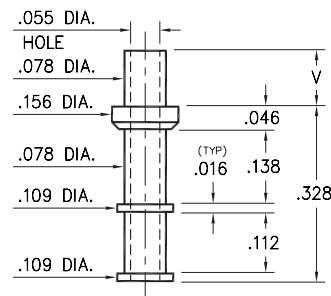


Basic Part Number	Board Thickness	Length V	Depth D
2503-1	.031	.078	.068
2503-2	.062	.109	.098
2503-3	.094	.141	.098
2503-4	.125	.172	.098

### 2704

2704-X-00-XX-00-00-07-0

Swage mount in .082 hole



Basic Part Number	Board Thickness	Length V
2704-1	.031	.075
2704-2	.062	.105
2704-3	.094	.135
2704-4	.125	.165

### 2306

2306-X-00-XX-00-00-07-0

Swage mount in .076 hole



### 2307

2307-X-00-XX-00-00-07-0

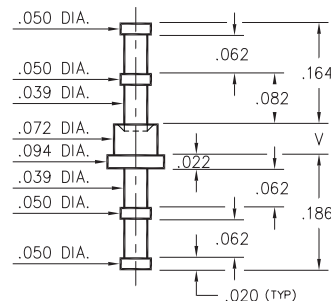
Swage mount in .076 hole



### 2311

2311-X-00-XX-00-00-07-0

Swage mount in .076 hole



Basic Part Number	Board Thickness	Length V
23XX-1	.031	.051
23XX-2	.062	.082
23XX-3	.094	.113
23XX-4	.125	.145

#### SPECIFICATIONS:

**Pin Material:** Brass Alloy 360, 1/2 Hard  
(Swage pins are annealed)

**Dimensions:** Inches

**Tolerances On:** Lengths: ±.005  
Diameters: ±.002  
Angles: ±2°



ORDER CODE: XXXX - X - 00 - XX - 00 - 00 - 07 - 0

BASIC PART #

SPECIFY PIN FINISH:

- 01 200 μ" TIN/LEAD OVER NICKEL
- ◆ 80 200 μ" TIN OVER NICKEL (RoHS)
- ◆ 44 300 μ" SILVER OVER COPPER (RoHS)
- 50 300 μ" ELECTRO-SOLDER (60/40 SnPb)

