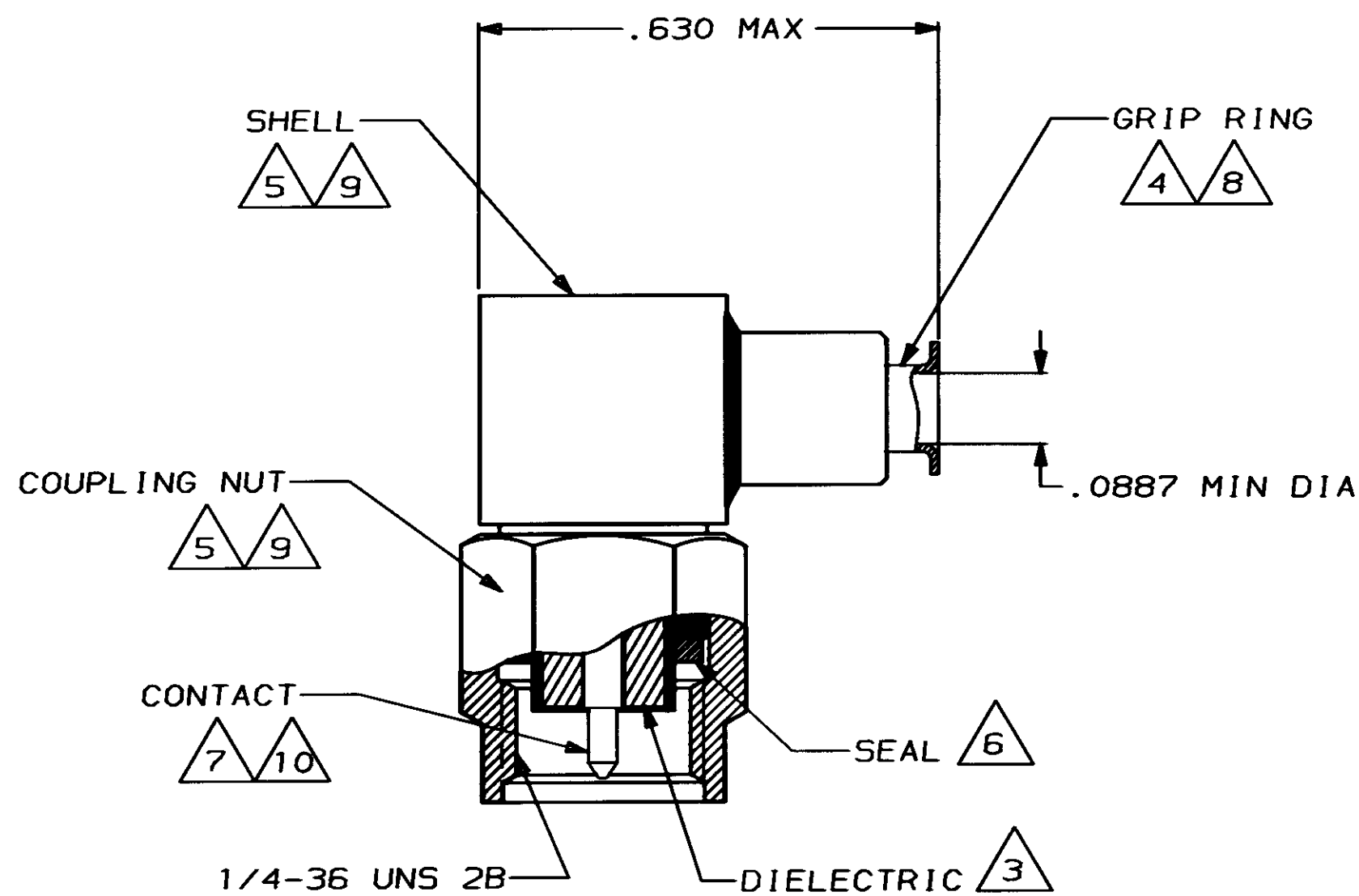
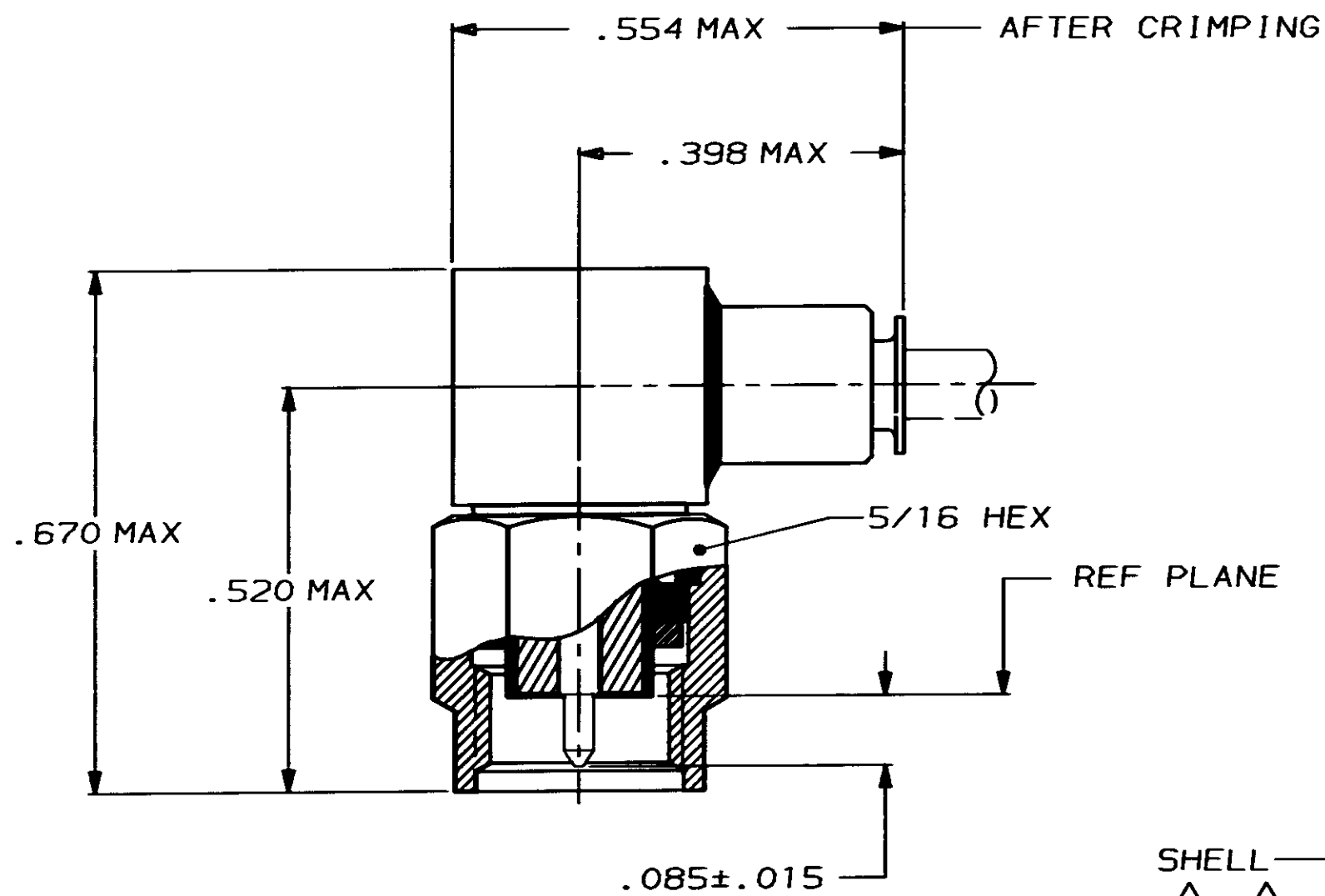
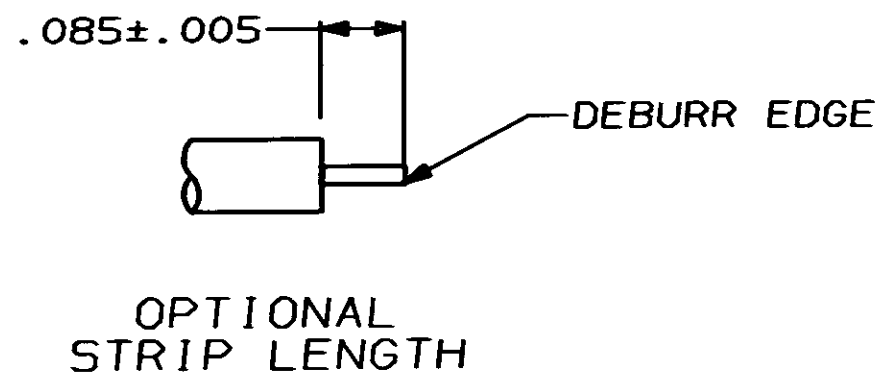
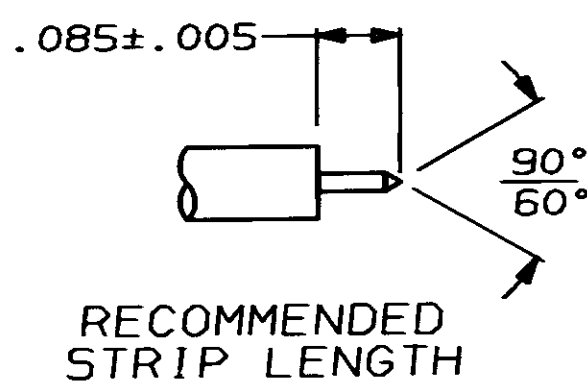


THIS DRAWING IS UNPUBLISHED. RELEASED FOR PUBLICATION
 © COPYRIGHT 19 BY AMP INCORPORATED, HARRISBURG, PA. ALL INTERNATIONAL RIGHTS RESERVED. AMP PRODUCTS MAY BE COVERED BY U.S. AND FOREIGN PATENTS AND/OR PATENTS PENDING.

LOC	DIST	P	F	ZONE	LTR	DESCRIPTION	DATE	APPROVED
AJ	16				C	REV & REDRAWN PER AJ-2627	12-7-87	RR/DH
					D	REV PER AJ-3649	2-15-89	CB



1. FOR USE WITH: RG-405/U, .086 SEMI RIGID CABLE
2. SEE I.S. 6788
3. PTFE PER MIL-P-19468
4. BRASS PER MIL-C-50
5. STAINLESS STEEL PER ASTM-A-582
6. SILICONE RUBBER PER ZZ-R-765
7. BERYLLIUM COPPER PER QQ-C-530
8. NICKEL PL PER QQ-N-290
9. PASSIVATION PER QQ-P-35
10. GOLD PL PER MIL-G-45204
11. .500 MIN LENGTH OF STRAIGHT CABLE REQUIRED TO APPLY THE CONNECTOR



UNLESS OTHERWISE SPECIFIED DIMENSIONS ARE IN INCHES TOLERANCES ON:		DR	12-7-87	228583-2	
2 PL DEC ± —		R. RUTH		PART NO	
3 PL DEC ± —		CHK	12-7-87	AMP INCORPORATED	
ANGLES ± —		D. HEIDE		Harrisburg, Pa. 17105	
MATERIAL	3 THRU 7	APPD	12-8-87	NAME	
		M. WALMSLEY		PLUG, RIGHT ANGLE, SERIES SMA	
FINISH	8 THRU 10	APPD	12-10-87	SIZE	FSCM NO
		R. RUTH		C	00779
		PRODUCT SPEC	108-12055	DRAWING NO	228583-2
		APPLICATION SPEC		SCALE	5:1
		WEIGHT		SHEET 1 OF 1	