

4		3		2		1		
ITEM	CONNECTOR PART NO.	DESCRIPTION	IPI CHECK	EOR CHECK	Applicable Tooling			
1	See Table 1	DS CONNECTOR			BCD			
2	See Table 1	KR CONNECTOR			TABLE 1			
3	UL1061, 28 AWG	WHITE			ITEM	NUMBER OF CIRCUITS	CONNECTOR PART NO.	ASSEMBLY PART NUMBER

D

C

B

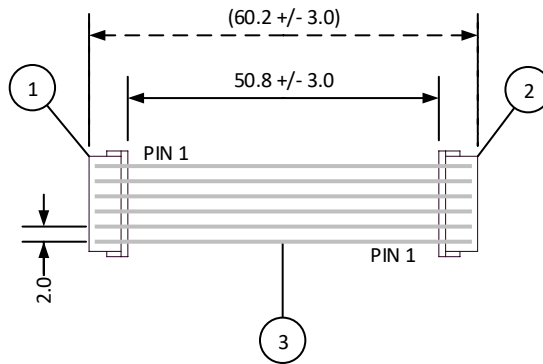
A

D

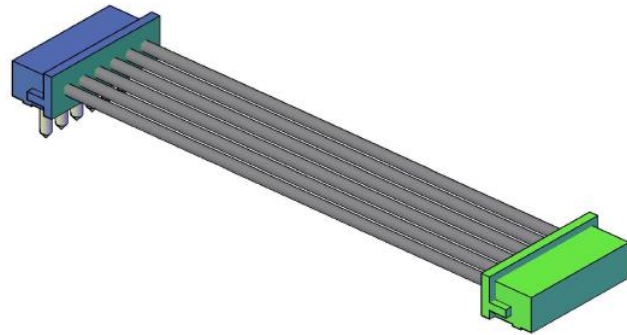
C

B

A



ITEM	NUMBER OF CIRCUITS	CONNECTOR PART NO.	ASSEMBLY PART NUMBER	TOTAL WIRE REQUIRED
1		02DS-8E	A02KR02DS28W51B	101.6
2	2	02KR-8M-P	A02KR02DS28W51B	
1		03DS-8E	A03KR03DS28W51B	152.4
2	3	03KR-8M-P	A03KR03DS28W51B	
1		04DS-8E	A04KR04DS28W51B	203.2
2	4	04KR-8M-P	A04KR04DS28W51B	
1		05DS-8E	A05KR05DS28W51B	254
2	5	05KR-8M-P	A05KR05DS28W51B	
1		06DS-8E	A06KR06DS28W51B	304.8
2	6	06KR-8M-P	A06KR06DS28W51B	
1		07DS-8E	A07KR07DS28W51B	355.6
2	7	07KR-8M-P	A07KR07DS28W51B	
1		08DS-8E	A08KR08DS28W51B	406.4
2	8	08KR-8M-P	A08KR08DS28W51B	
1		09DS-8E	A09KR09DS28W51B	457.2
2	9	09KR-8M-P	A09KR09DS28W51B	
1		10DS-8E	A10KR10DS28W51B	508
2	10	10KR-8M-P	A10KR10DS28W51B	
1		11DS-8E	A11KR11DS28W51B	558.8
2	11	11KR-8M-P	A11KR11DS28W51B	
1		12DS-8E	A12KR12DS28W51B	609.6
2	12	12KR-8M-P	A12KR12DS28W51B	
1		13DS-8E	A13KR13DS28W51B	660.4
2	13	13KR-8M-P	A13KR13DS28W51B	
1		14DS-8E	A14KR14DS28W51B	711.2
2	14	14KR-8M-P	A14KR14DS28W51B	
1		15DS-8E	A15KR15DS28W51B	762
2	15	15KR-8M-P	A15KR15DS28W51B	



SCALE 1:1		CUSTOMER NAME		CUSTOMER PART NO.	
DIMENSIONS All dimensions are in MM with a tolerance of +/- 3.0 unless otherwise specified.					
DRAWN BY STEVEN PILKINGTON		DESCRIPTION 2.0 mm Pitch DS to KR Standard Catalog Assembly - 2" Overall Length - Pin out: 1 to N			
CHECKED BY JUSTIN BAKER		ASSEMBLY PART NO. SEE TABLE 1		REVISED 3/4/2016	
DRAWING NO. & REVISION GAM-031					

REV.	DESCRIPTION	DATE	BY
------	-------------	------	----

4

3

2

1