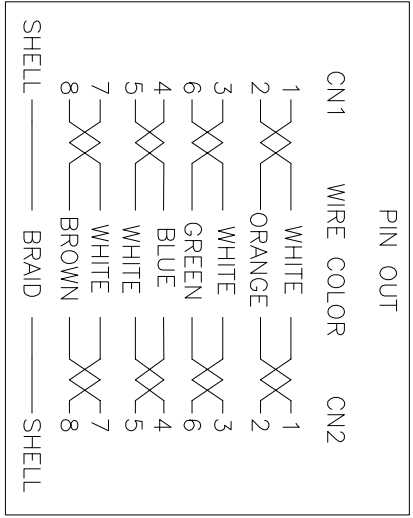
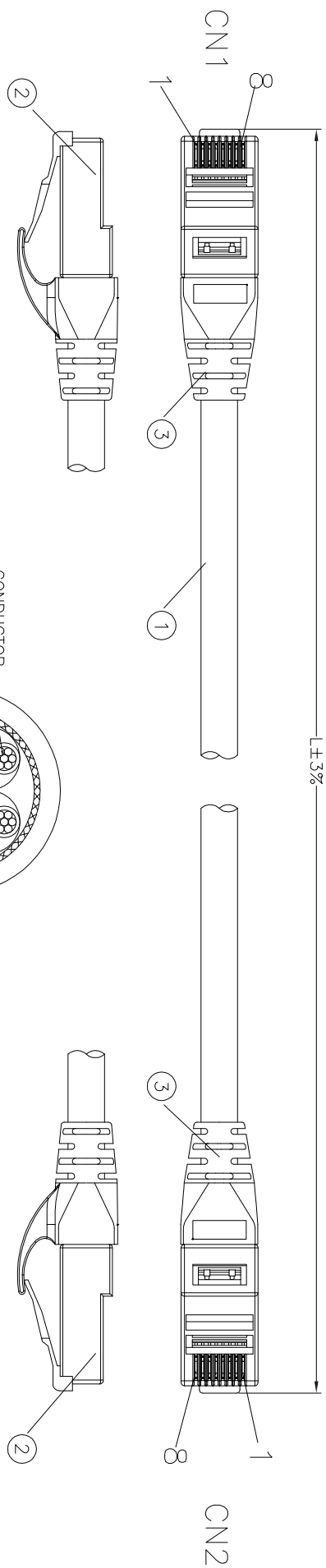


1	2	3	4	5	6	7
A	B	C	D	E	F	G



Electrical test:
Open/short/intermittence: 100%

NO:	NAME	DESCRIPTION	QTY	UNIT
③	Molding	LSOH PVC 45P Color: see order code	NA	KG
②	CONNECTOR	RJ45 8P8C two fork 3u" gold plated with metal shield	2	PCS
①	CABLE	CAT6a S/FTP (26AWG*-1PR+A)*4+B+LSOH OD=5.8±0.3MM Color: see order code	NA	NM

WSW order code
AMJS1010-xxxx-xxB-26①

Cable length
0030: 0.3M
0050: 0.5M
0100: 1.0M
0150: 1.5M
0200: 2.0M
0300: 3.0M
0500: 5.0M
0700: 7.0M
1000: 10M
1500: 15M

Cable&Molding color
BK: Black
RD: Red
YE: Yellow
GN: Green
GY: Grey
BU: Blue
WH: White
BN: Brown

RoHS compliant
Unit: mm

Scale	Free	Customer-No.	
TOLERANCE		Drawn	30.03.2017
DIM		Approved	02.06.2017
TOL		Name Amy	
Angle		ASSMANN WSW-No. ①AMJS1010-xxxx-xxB-26	
TOL		Drawing-No. ASS 7943 CA	
Id.		Replace Sheet	
Modification		rev01	
Date		Date	
Name		Name	



1	2	3	4	5	6	7
H	G	F	E	D	C	B