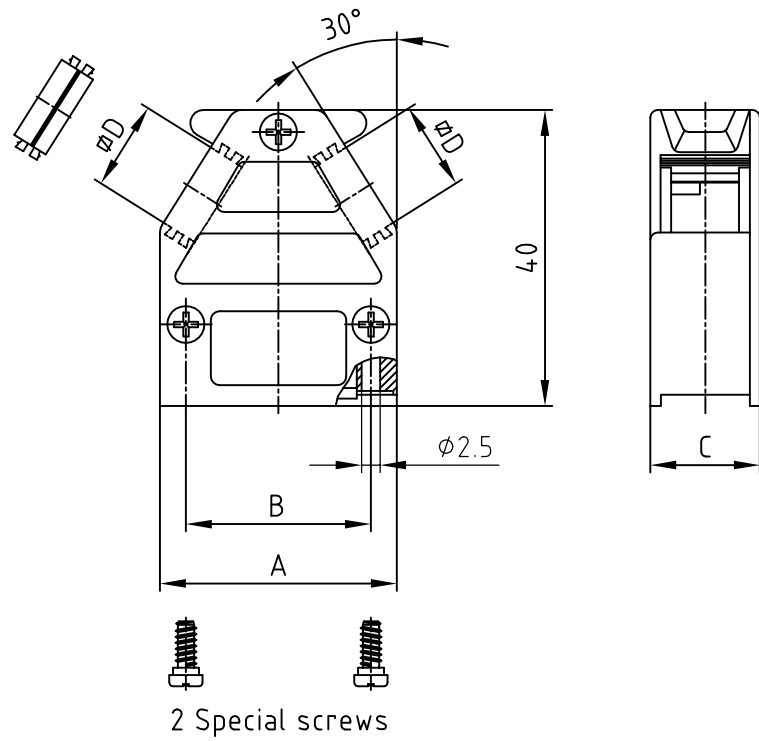
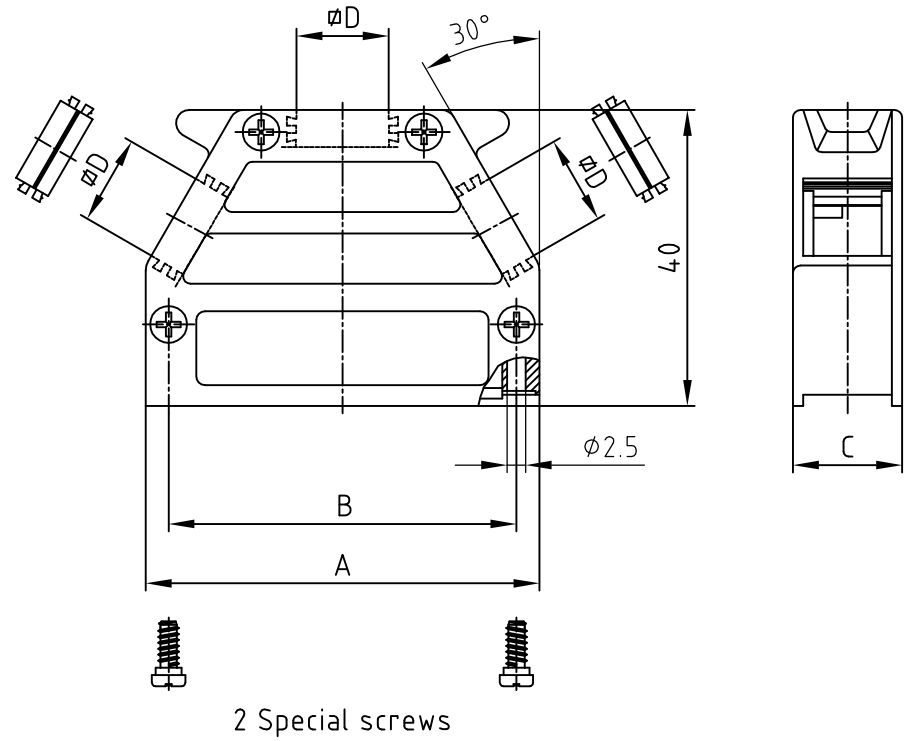


used for: D-SUB

(c) (d)
9pos.



(d)
15-50pos.



(b) (d)

No. of pos.	A	B	C	∅D	PART NO.
9	32.0	25.0	14.8	12.1	165X10819X
15	39.3	33.3	14.8	12.1	165X10829X
25	53.2	47.0	14.8	12.1	165X10839X
(c) 37	69.5	63.5	14.8	12.1	165X10849X
(c) 50	67.0	61.0	17.8	14.6	165X10859X

- (d) Delivery includes:
- Metal hood with cover
 - Metal plug:
 - 9pos.: with 1 metal plug
 - 15-50pos.: with 2 metal plugs
 - Cover screws:
 - 9pos.: with 3 cover screws
 - 15-50pos.: with 4 cover screws
 - 1 Screw for grounding post
 - 2 Special screws

All screws with self forming threads

Directive 2002/95/EC RoHS compliant

THIS DRAWING MAY NOT BE COPIED OR REPRODUCED IN ANY WAY, AND MAY NOT BE PASSED ON TO A THIRD PARTY WITHOUT WRITTEN PERMISSION.
 OWNERSHIP AND COPYRIGHT OF CONEC GmbH
 DO NOT ALTER CAD DRAWING BY HAND

(b)		tolerance		dim. in mm	
4 x d	Ä 4184	16.12.11	Lehm.	norm	
3 x c	Ä 3271	02.02.09	Lehm.	d-old	
2 x b	Ä 3264	29.01.09	Sonne		
a	Original				
rev.	description	date	name		



scale:	1:1	
material:	HOOD + COVER: ZINC DIE-CAST	
title:	METAL HOOD EMI/RFI SHIELDING 9-50pos.	
dwg no:	16K1A136A	DIN-A 3
part no:	SEE TABLE	sh:1/1