

**JBXEROC**

MASS (g)	VOLUME (mm <sup>3</sup> )
3.7	703

**ELECTRICAL :**

EMI SHIELDING : SHIELDED FOR THE RANGE 55dB UP TO 100MHz

INSULATION RESISTANCE : >500MΩ PER ANSI-EIA-364-D METHOD 21

MAX. CURRENT RATING : SEE INSULATOR DRAWING

CONNECTOR TESTING : SEE INSULATOR DRAWING  
VOLTAGE

CONNECTOR WORKING : SEE INSULATOR DRAWING  
VOLTAGE

**ENVIRONMENTAL :**

ENDURANCE: 1000 CYCLES AS PER MIL-STD 1344A, METHOD 2016.1

SHOCK: 50 g , DURATION 6 ms; AS PER MIL-STD 1344A, METHOD 2004.1

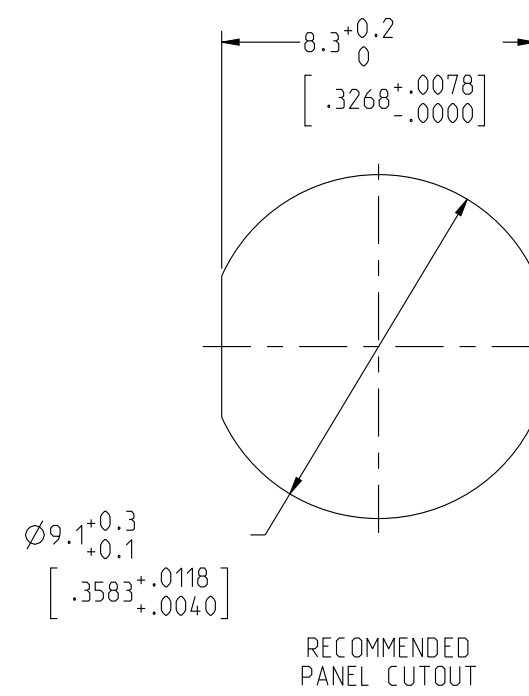
VIBRATIONS: 10 TO 2000Hz g = 20g, AS PER MIL-STD 1344A, METHOD 2005.1

PROTECTION INDEX: IP 40 AS PER IEC 529

ROHS COMPLIANT

SALT MIST : 48Hr PER SAE AS 1344 METHOD 1001.1 CEI 529

**OPERATING TEMPERATURE:** -55°C TO +125°C (-67°F TO +257°F)



NOTES:

1 RED BAND

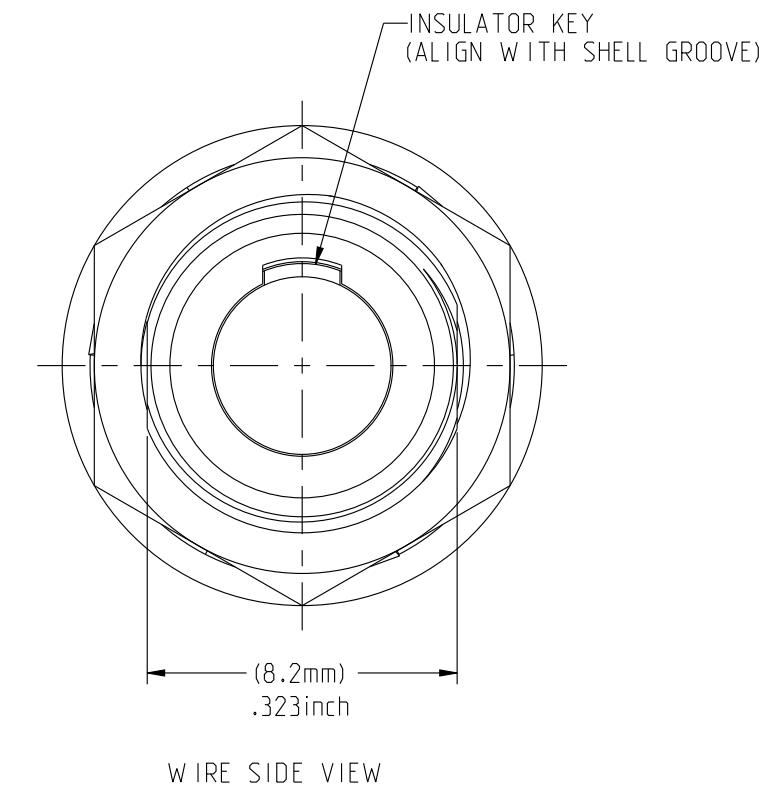
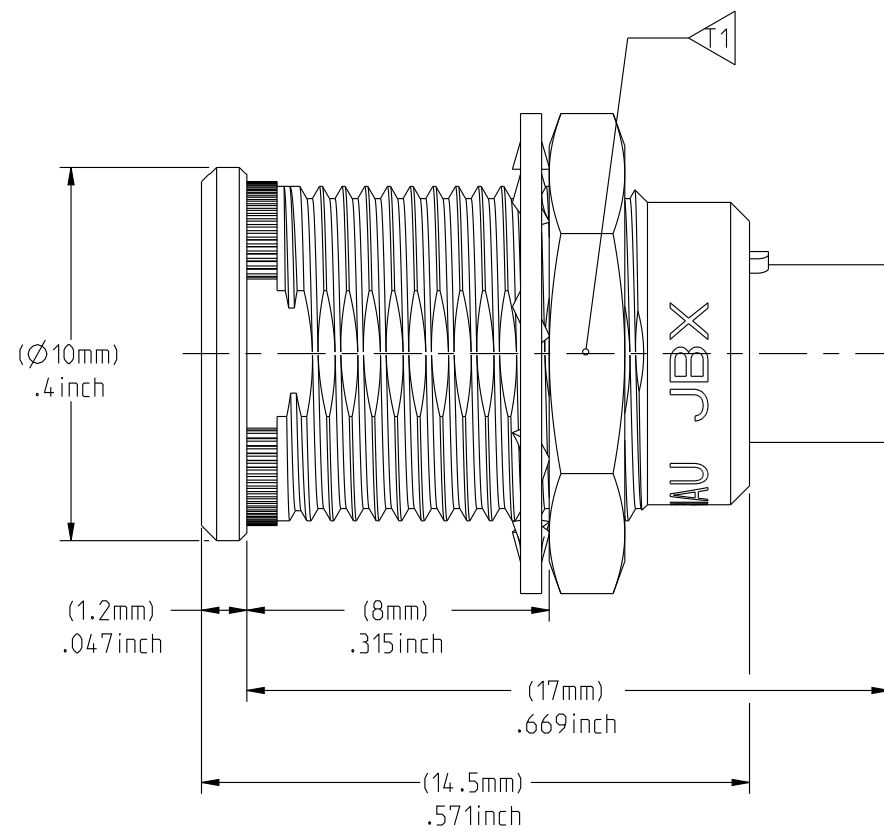
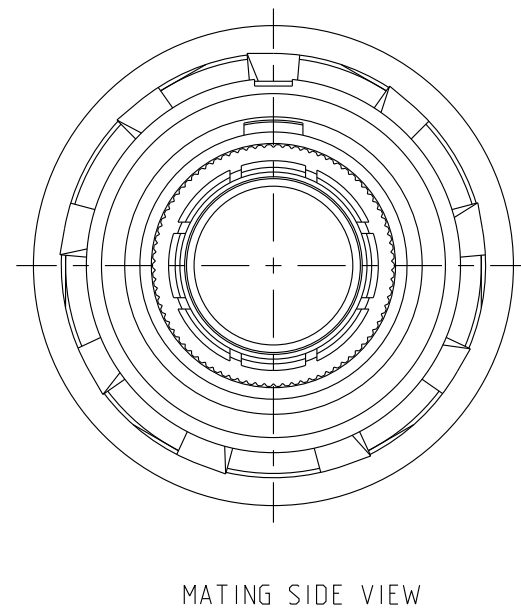
**MATERIAL :**

OUTER SHELL & NUT : BRASS  
SHIELD RING :

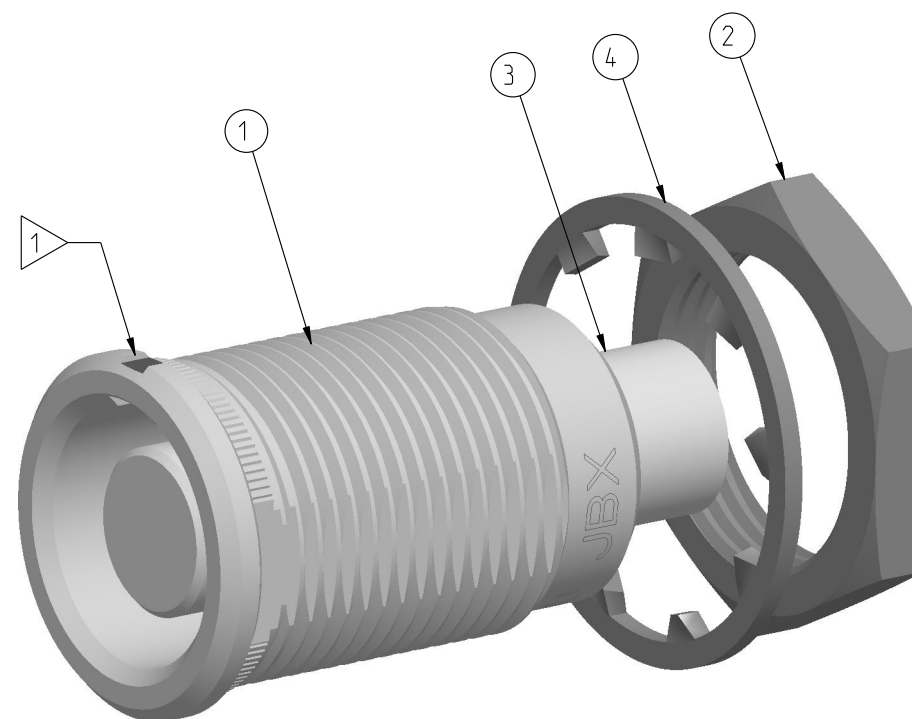
**FINISH:**

OUTER SHELL : CHROME  
OTHER BRASS PARTS : NICKEL

T TOOLS



PART LIST	
ITEM NO.	DESCRIPTION
1	SHELL
2	HEX NUT
3	INSULATOR
4	LOCK WASHER



T	TOOLS (JAW DIMENSION)	ADVISED TORQUE IN Nm
T1	11	0.7

**CATALOG NUMBER DESCRIPTION**

**JBX ER 0 XXXXXDXR**

**BASIC SERIES** \_\_\_\_\_ **OPTION**

**SHELL TYPE** \_\_\_\_\_ **INSERT MATERIAL**

**SHELL SIZE** \_\_\_\_\_ **COLLET OPTION**

**KEYING** \_\_\_\_\_ **SURFACE PLATING**

**SEE INSULATOR DRAWING**

ORIGIN	COUNTRY	JURISDICTION	CLASSIFICATION
X	FR	Not listed	N/A
	US	EAR	ECCN #EAR99

These commodities, technology or software are exported from the United States in accordance with the Export Administration Regulations. Diversion contrary to U.S. law is prohibited.

LINEAR MEASURE:	mm (INCH)
THIRD ANGLE PROJECTION	
TOLERANCES UNLESS OTHERWISE SPECIFIED	
No. OF PLACES	mm [INCH]
WHOLE No.	±0.5 [±.02]
ONE PLACE	±0.2 [±.008]
TWO PLACES	±0.1 [±.004]
ANGLES ±1°	

**DRAWING TITLE**  
**JBX, SIZE O, FRONT PANEL MOUNTING RECEPTACLE**

CAT NO. **JBXERO**

CAGE NO: 09922 SIZE: C

**CUSTOMER**

INTERPRET THIS DRAWING IN ACCORDANCE WITH ASME Y14.5M - 1994.

**SOURIAU**  
WWW.SOURIAU.COM

APPROVAL	DRAWN: TJS	01-07-15
	CHKD : EV	01-07-15
	DSGN : EV	01-07-15
	MFG : DH	01-07-15
	QC : BB	01-07-15
	DRAWING SCALE: 5:1	
	DRAWING NO.	REV
	<b>JBXEROC</b>	A

1 OF 1

THE INFORMATION CONTAINED IN THIS DRAWING IS CONFIDENTIAL AND MAY NOT BE DISCLOSED WITHOUT WRITTEN CONSENT FROM SOURIAU USA, INC.

B

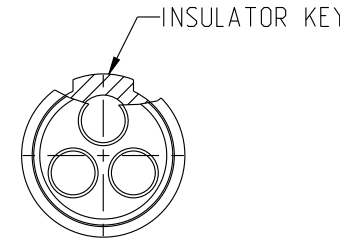
C

4

DWG. NO.  
JBX0INSFSC

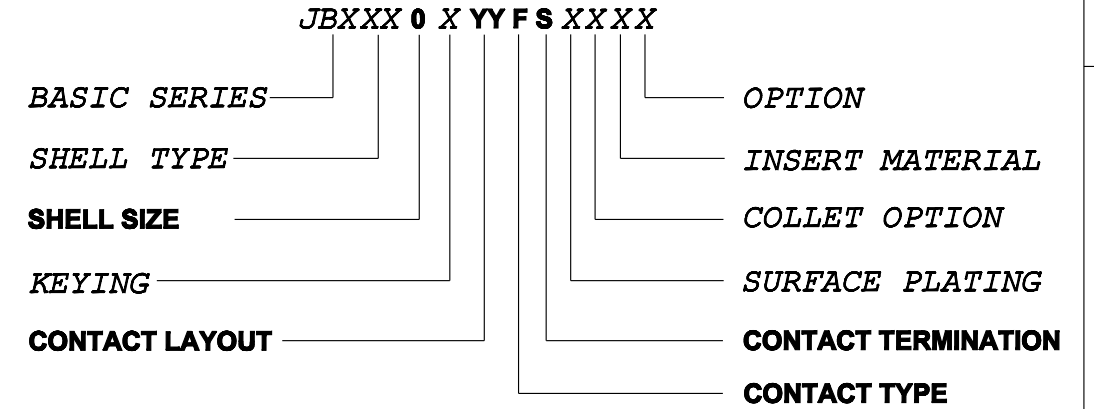
**FEMALE INSULATOR, SOLDER CONTACT**

CONTACT LAYOUT	02	03	04
FRONT SIDE VIEW			
REAR SIDE VIEW			
CONTACT			
ISO VIEW			
CONTACT	ØC	0.9	0.7
	ØF	0.8	0.81
	MAX. AWG	24	22
	MAX. CURRENT RATING (A)	10	7
INSULATOR	CONTACT RESISTANCE (mΩ)	3.5	5
	NUMBER OF CAVITY	2	4
	MAX. CURRENT RATING	10	7
	TEST VOLTAGE (Vrms)	1400	1350
WORKING VOLTAGE (Vdc/Vrms)	660/460	600/420	660/460



**CONTACT TYPE :** F (FEMALE)  
**CONTACT TERMINATION :** S (SOLDER)  
**MATERIAL :**  
 CONTACT: CUPRO-NICKEL  
 CLIP: COPPER ALLOY  
 INSULATOR: PEEK  
**FINISH:**  
 CONTACTS : GOLD

**CATALOG NUMBER DESCRIPTION**



B	REVISED PER ECN 12286	RSK 06-10-15	EV 06-10-15
A	RELEASED PER ECN 12264	TJS 03-10-15	EV 03-10-15
REV	DESCRIPTION	BY DATE	CHKD DATE

DRAWING TITLE  
**JBX, SIZE 0, FEMALE INSULATOR, SOLDER CONTACT**

CAT NO. **JBX0INSF5**

CAGE NO: 09922      SIZE: B

<b>CUSTOMER</b>	<b>SOURIAU</b>	APPROVAL	DRAWN: TJS	02-04-15
			CHKD : EV	02-04-15
INTERPRET THIS DRAWING IN ACCORDANCE WITH ASME Y14.5M - 1994.	<b>WWW.SOURIAU.COM</b>		DSGN : EV	02-04-15
			MFG : DH	02-04-15
			QC : BB	02-04-15
			DRAWING SCALE: NA	
			DRAWING NO.	REV
			JBX0INSF5C	B
			1 OF 2	

ORIGIN	COUNTRY	JURISDICTION	CLASSIFICATION
X	FR	Not listed	N/A
	US	EAR	ECCN =EAR99

These commodities, technology or software are exported from the United States in accordance with the Export Administration Regulations. Diversion contrary to U.S. law is prohibited.

LINEAR MEASURE:  $\frac{mm}{INCH}$  mm (INCH)  
 THIRD ANGLE PROJECTION  
  
 TOLERANCES UNLESS OTHERWISE SPECIFIED  
 No. OF PLACES      mm [INCH]  
 ONE PLACE          ±3 [±.1]  
 TWO PLACES        ±0.5 [±.02]  
 THREE PLACES     ±0.25 [±.010]  
 ANGLES ±1°

THIS DRAWING IS A CONTROLLED DOCUMENT FOR SOURIAU USA, INC. IT IS SUBJECT TO CHANGE WITHOUT NOTIFICATION. CONTACT THE DOCUMENT CONTROL CENTER FOR THE LATEST REVISION.

THE INFORMATION CONTAINED IN THIS DRAWING IS CONFIDENTIAL AND MAY NOT BE DISCLOSED WITHOUT WRITTEN CONSENT FROM SOURIAU USA, INC.

B

A

DWG. NO.  
JBXOINSFSC

CONTACT LAYOUT	05	06	07	08
FRONT SIDE VIEW				
REAR SIDE VIEW				
CONTACT				
ISO VIEW				

	CONTACT				
	05	06	07	08	
ØC	0.7	0.5	0.5	0.5	
ØF	0.81	0.5	0.5	0.5	
MAX. AWG	22	28	28	28	
MAX. CURRENT RATING (A)	7	5	5	5	
CONTACT RESISTANCE (mΩ)	5	10	10	10	
NUMBER OF CAVITY	5	6	7	8	
INSULATOR	MAX. CURRENT RATING	6.5	2.5	2	
	TEST VOLTAGE (Vrms)	800	680	680	
	WORKING VOLTAGE (Vdc/Vrms)	400/260	320/220	320/220	190/130

THIS DRAWING IS A CONTROLLED DOCUMENT FOR SOURIAU USA, INC. IT IS SUBJECT TO CHANGE WITHOUT NOTIFICATION. CONTACT THE DOCUMENT CONTROL CENTER FOR THE LATEST REVISION.

THE INFORMATION CONTAINED IN THIS DRAWING IS CONFIDENTIAL AND MAY NOT BE DISCLOSED WITHOUT WRITTEN CONSENT FROM SOURIAU USA, INC.

B

A

DRAWING TITLE  
**JBX, SIZE O, FEMALE INSULATOR, SOLDER CONTACT**

CAT NO. **JBXOINSFS**

CAGE NO: 09922      SIZE: B

<b>CUSTOMER</b>	<b>SOURIAU</b>	APPROVAL	DRAWN: TJS 02-04-15
		CHKD : EV 02-04-15	
INTERPRET THIS DRAWING IN ACCORDANCE WITH ASME Y14.5M - 1994.	<b>WWW.SOURIAU.COM</b>	DSGN : EV 02-04-15	
		MFG : DH 02-04-15	
		QC : BB 02-04-15	
		DRAWING SCALE: NA	
		DRAWING NO. JBXOINSFSC	REV B
		2 OF 2	

ORIGIN	COUNTRY	JURISDICTION	CLASSIFICATION
X	FR	Not listed	N/A
	US	EAR	ECCN =EAR99

These commodities, technology or software are exported from the United States in accordance with the Export Administration Regulations. Diversion contrary to U.S. law is prohibited

LINEAR MEASURE:  $\frac{mm}{INCH}$  mm (INCH)

THIRD ANGLE PROJECTION

TOLERANCES UNLESS OTHERWISE SPECIFIED

No. OF PLACES	mm [INCH]
ONE PLACE	±3 [±.1]
TWO PLACES	±0.5 [±.02]
THREE PLACES	±0.25 [±.010]

ANGLES ±1°