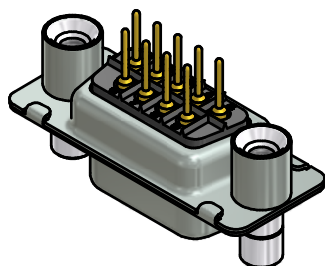
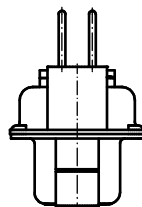
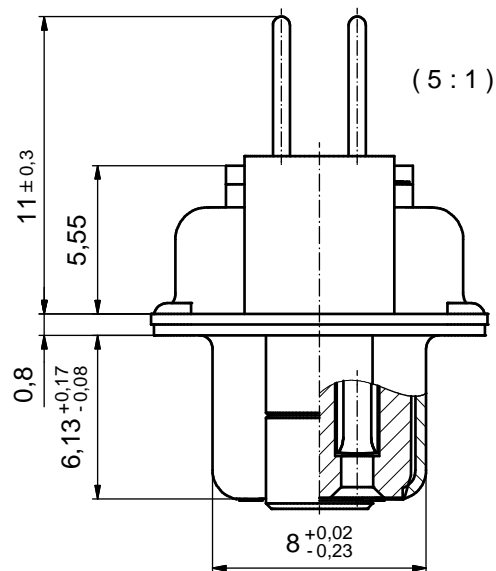
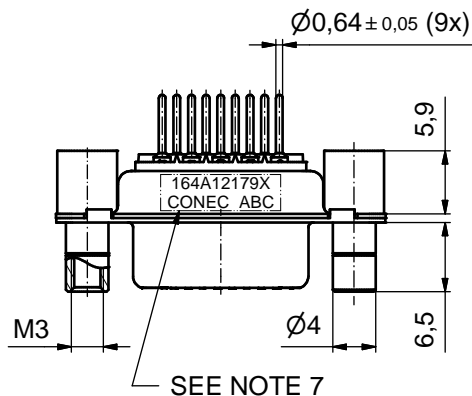
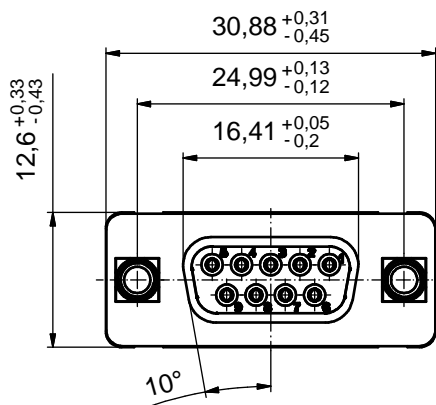


P.C.B. HOLE DRILLINGS
(P.C.B. TOP SIDE)



Directive 2002/95/EC RoHS compliant

NOTES:

1. METALSHELLS: STEEL; min. 315µin TIN over 40-80µin NICKEL
2. INSULATORS: PBT GF UL 94 V-0; BLACK
3. CONTACTS: COPPER ALLOY
PLATING: GOLD FLASH over NICKEL
4. THREADED REAR SPACERS / FRONT THREADED LOCKS:
COPPER ALLOY; min. 200µin TIN over 80µin NICKEL
5. SLEEVES: COPPER ALLOY; min. 200µin TIN over 80µin NICKEL
6. MAXIMUM TORQUE VALUE FOR THREAD: 6 in.LB
7. CONNECTOR IS PART MARKED: 164A12179X CONEC ABC

THIS DRAWING MAY NOT BE COPIED OR REPRODUCED IN ANY WAY, AND MAY NOT BE PASSED ON TO A THIRD PARTY WITHOUT WRITTEN PERMISSION. OWNERSHIP AND COPYRIGHT OF CONEC GmbH DO NOT ALTER CAD DRAWING BY HAND	tolerance		dim. in mm	scale: 2:1 (5:1)	
				material: SEE NOTES	
	date	name		title: D-SUB FEMALE 9pos. SOLDER PIN STRAIGHT with threaded rear spacer and front threaded lock	
	drawn	16.03.11	Schmidt		
	appd.	16.03.11	Fischer		
	norm				
	d-old			dwg no:	DIN-A3
a	Origin			16K2A2696	sh: 1
rev.	description			date	name