

10 9 8 7 6 5 4 3 2 1

F

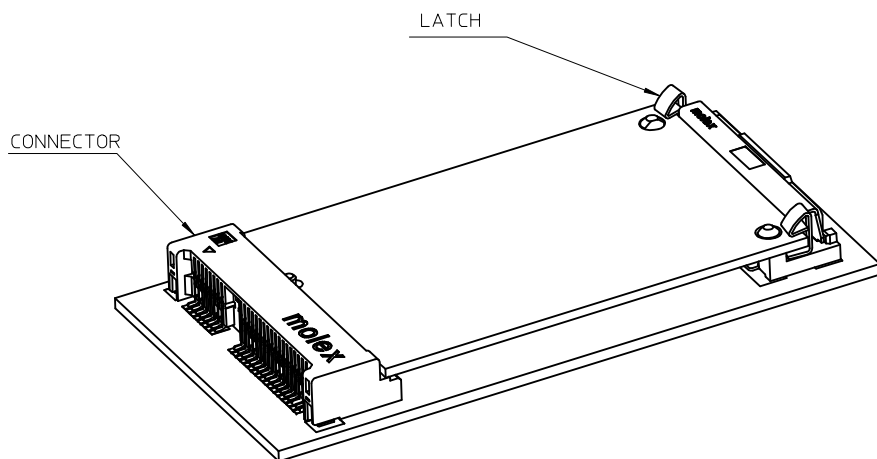
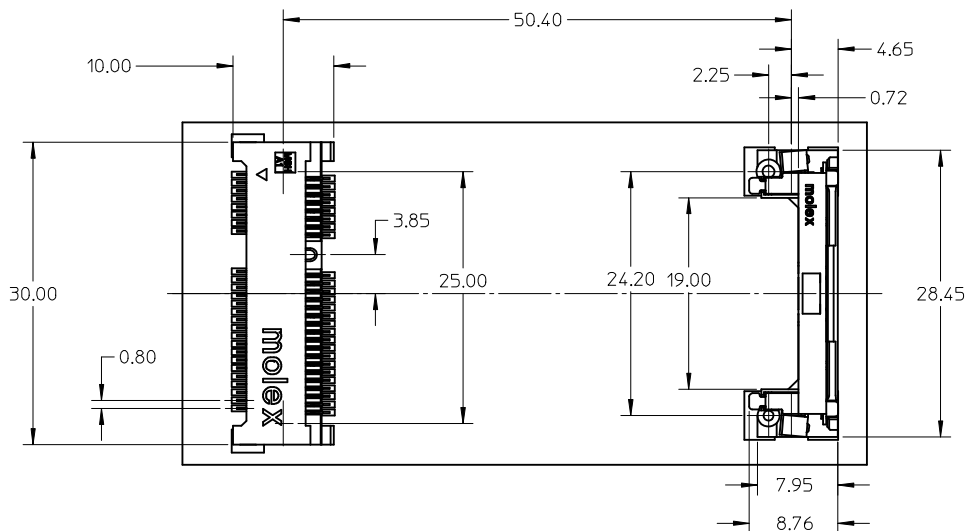
E

D

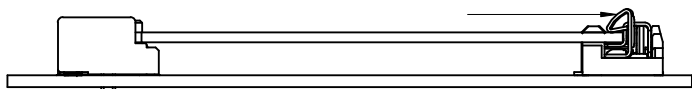
C

B

A



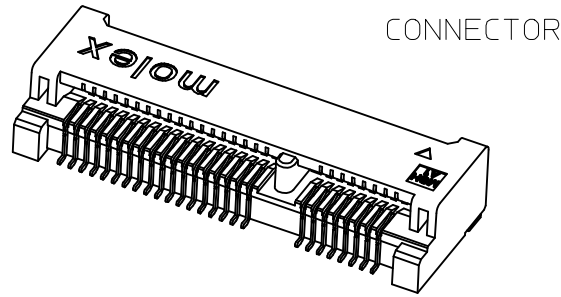
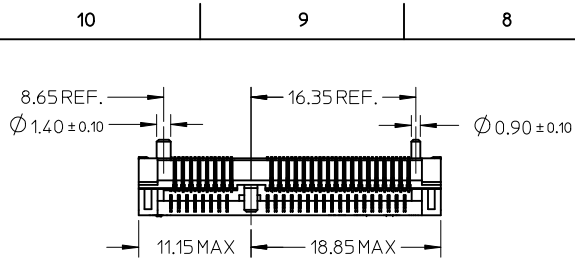
PUSH LATCH TO RELEASE MODULE



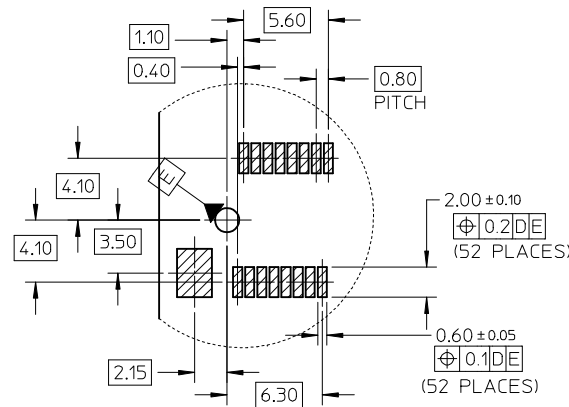
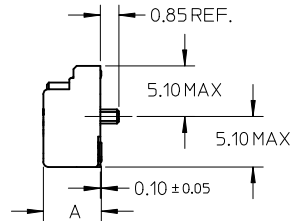
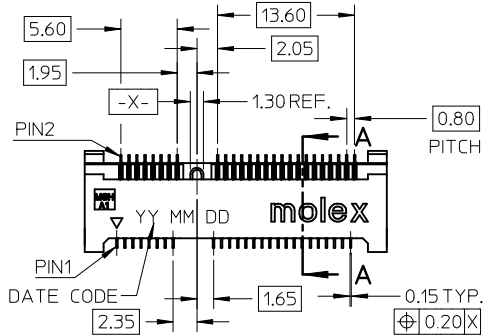
67910-5700	5.75	3.75	10 MICROINCH GOLD	
67910-5701	5.75	3.75	GOLD FLASH	
P/N	DIMENSION	A	B	CONTACT PLATING

REVISED EC NO: SH2009-0388 DR: WINEZHAO CHKD: APPR: HWANG	2008/12/03 2008/12/04 2008/12/09	DESCRIPTION REV	QUALITY SYMBOLS ▽=0 ◻=0	GENERAL TOLERANCES (UNLESS SPECIFIED) mm INCH	DIMENSION STYLE MM ONLY	SCALE 1:1	DESIGN UNITS METRIC	THIRD ANGLE PROJECTION
			4 PLACES ± --- ± --- 3 PLACES ± --- ± --- 2 PLACES ± 0.25 ± --- 1 PLACE ± 0.25 ± --- ANGULAR ± 3 °	DRAWN BY DATE DAVID HU 2005/09/22 CHECKED BY DATE HARVEY 2005/10/26 APPROVED BY DATE GARY 2005/10/26	TITLE MINI PCI EXPRESS CONN. 0.8MM PITCH 52 CIRCUIT LEAD-FREE			
			DRAFT WHERE APPLICABLE MUST REMAIN WITHIN DIMENSIONS	MATERIAL NO. SEE SHEET 1	DOCUMENT NO. SD-67910-004	SHEET NO. 1 OF 3		
			THIS DRAWING CONTAINS INFORMATION THAT IS PROPRIETARY TO MOLEX INCORPORATED AND SHOULD NOT BE USED WITHOUT WRITTEN PERMISSION					

9 8 7 6 5 4 3 2 1

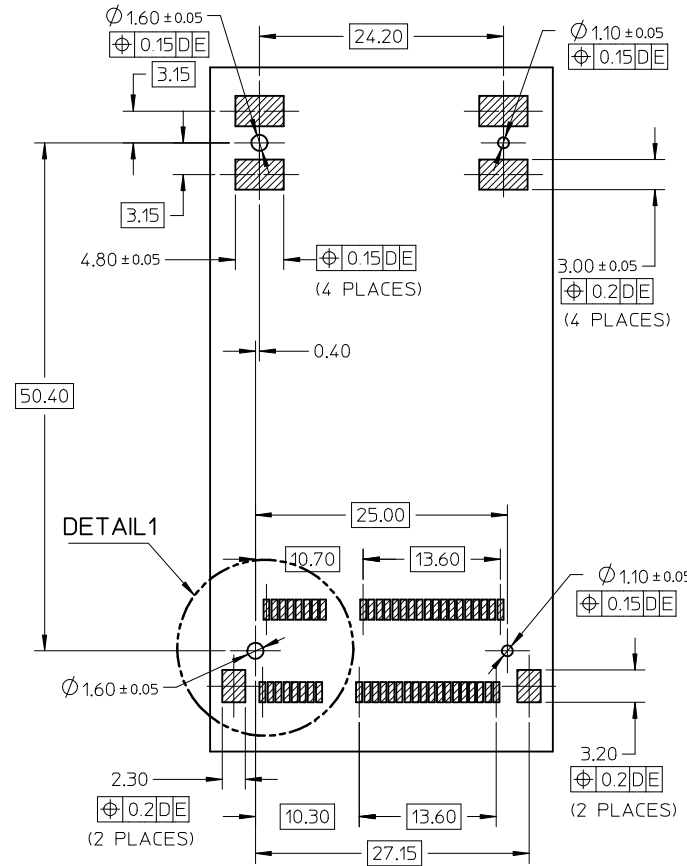


CONNECTOR



DETAIL 1

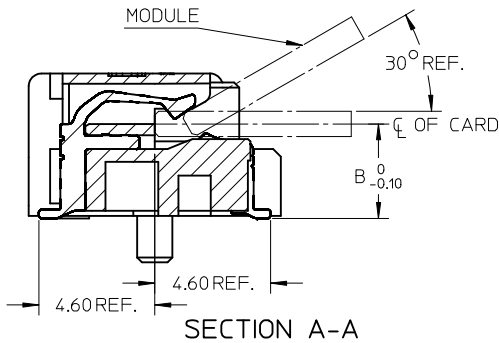
Scale 3:1



RECOMMENDED PCB LAYOUT

NOTES:

1. MATERIALS: HOUSING:LCP COLOR:BLACK UL94V-0
CONTACT:PHOSPHOR BRONZE
NAIL:BRASS
2. FINISH: CONTACT:SELECTIVE GOLD IN CONTACT AND SOLDER AREA
UNDERPLATED:NICKEL OVERALL
NAIL:TIN IN SOLDER AREA
UNDERPLATED:NICKEL OVERALL
3. THE MODULE CARD REFERENCE MINIPCI-E CARD
ELECTROMECHANICAL SPECIFICATION
4. DATUM D IS THE TOP OF SURFACE OF PCB
5. MATCHED LATCH 48099**** SERIES.
6. PART 67910**** COMPLIANT TO ROHS DIRECTIVE 2002/95/EC
AND ELV DIRECTIVE 2000/53/EC.

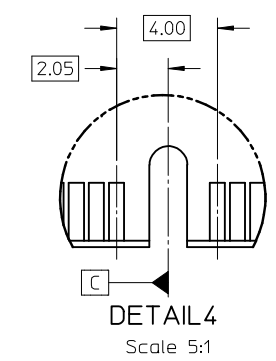
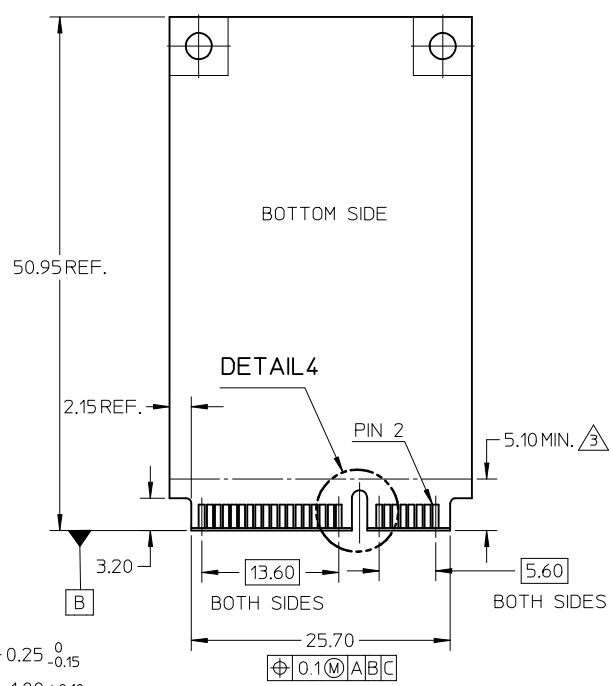
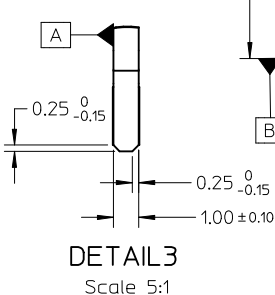
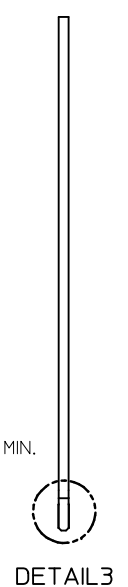
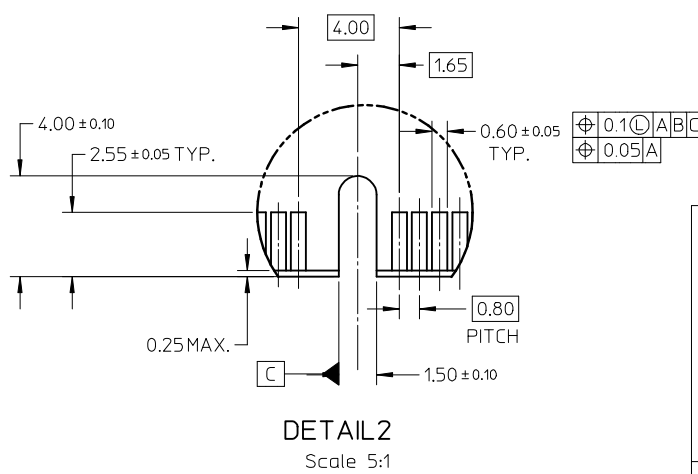
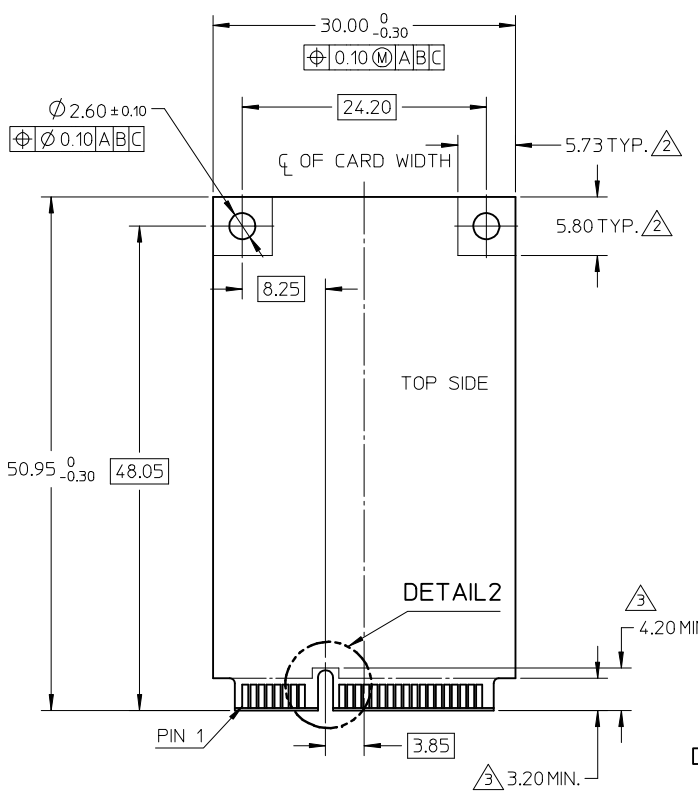


SECTION A-A

Scale 5:1

REVISED EC NO: SH2009-0388 DR: WINEZHAO CHKD: APPR: HAWANG 2008/12/03 2008/12/04 2008/12/09	QUALITY SYMBOLS ▽=0 ◻=0	GENERAL TOLERANCES (UNLESS SPECIFIED)		DIMENSION STYLE MM ONLY		SCALE 1:1	DESIGN UNITS METRIC	THIRD ANGLE PROJECTION		
		4 PLACES ± --- ± ---	mm INCH	DRAWN BY DAVID HU	DATE 2005/09/22	TITLE MINI PCI EXPRESS CONN. 0.8MM PITCH 52 CIRCUIT LEAD-FREE				
		3 PLACES ± --- ± ---		CHECKED BY HARVEY	DATE 2005/10/26	MOLEX INCORPORATED				
		2 PLACES ± 0.25 ± --- 1 PLACE ± 0.25 ± ---		APPROVED BY GARY		DATE 2005/10/26	MATERIAL NO. DOCUMENT NO. SEE SHEET 1 SD-67910-004			
D	REV	DRAFT WHERE APPLICABLE MUST REMAIN WITHIN DIMENSIONS		SIZE A3	THIS DRAWING CONTAINS INFORMATION THAT IS PROPRIETARY TO MOLEX INCORPORATED AND SHOULD NOT BE USED WITHOUT WRITTEN PERMISSION					

NOTES:
 1. PIN NUMBERING REFERENCE:
 ODD PINS-TOP SIDE
 EVEN PINS-BOTTOM SIDE
 2. COMPONENT AND ROUTING(ALL LAYERS)
 KEEP OUT AREA FOR HOLD DOWN SOLUTIONS
 3. COMPONENT KEEP OUT AREA FOR CONNECTOR



REVISED EC NO: SH2009-0388 DRW:ZHAO CHKD: APPR:HWANG	QUALITY SYMBOLS ▽=0 ◻=0	GENERAL TOLERANCES (UNLESS SPECIFIED)		DIMENSION STYLE MM ONLY		SCALE 1:1	DESIGN UNITS METRIC	THIRD ANGLE PROJECTION		
			mm	INCH	DRAWN BY DAVID HU	DATE 2005/09/22	TITLE MINI PCI EXPRESS CONN. 0.8MM PITCH 52 CIRCUIT LEAD-FREE			
		4 PLACES	± ---	± ---	CHECKED BY HARVEY	DATE 2005/10/26	MATERIAL NO. SEE SHEET 1			
		3 PLACES	± ---	± ---	APPROVED BY GARY	DATE 2005/10/26	DOCUMENT NO. SD-67910-004		SHEET NO. 3 OF 3	
	2 PLACES	± 0.25	± ---	DRAFT WHERE APPLICABLE MUST REMAIN WITHIN DIMENSIONS		THIS DRAWING CONTAINS INFORMATION THAT IS PROPRIETARY TO MOLEX INCORPORATED AND SHOULD NOT BE USED WITHOUT WRITTEN PERMISSION				
	1 PLACE	± 0.25	± ---	ANGULAR ± 3 °						