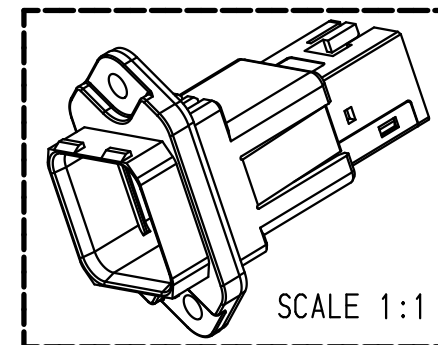
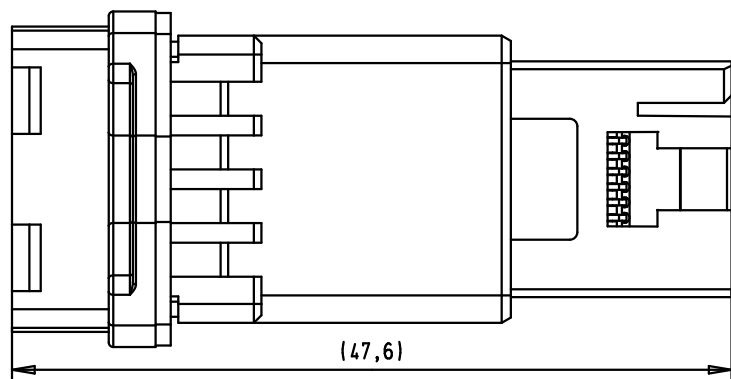
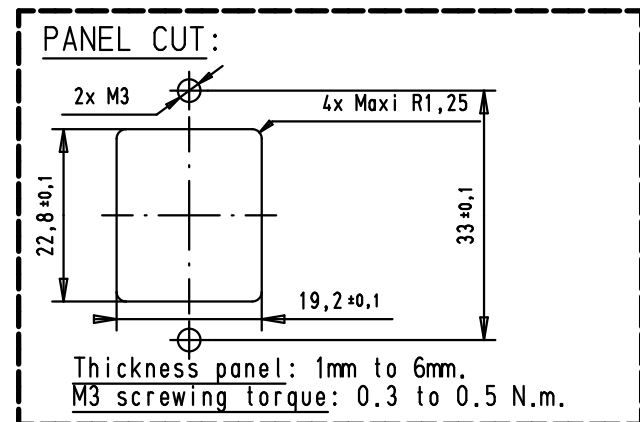
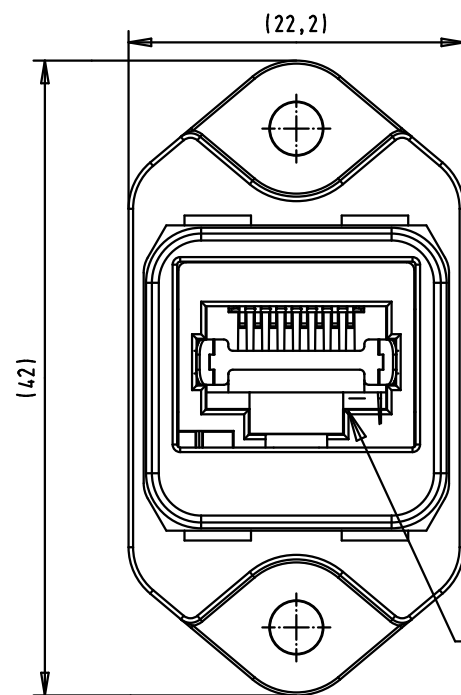
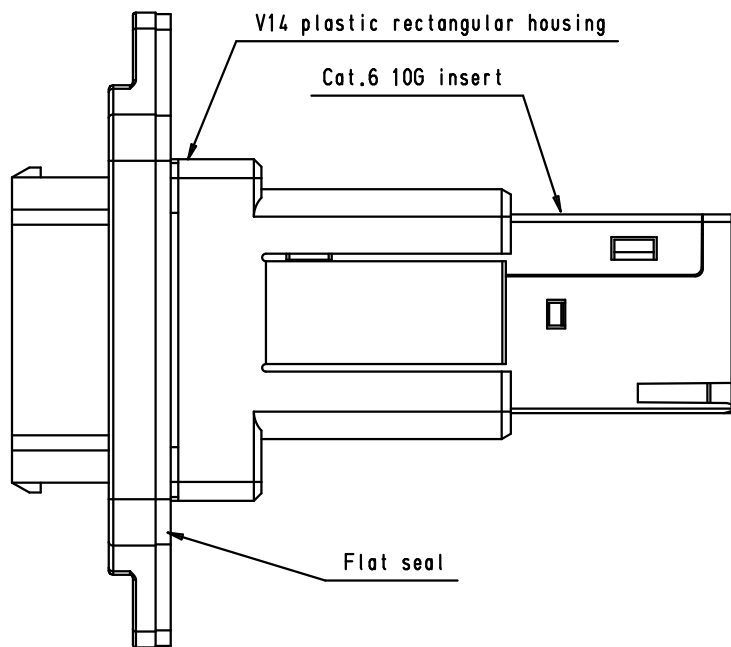


1 2 3 4 5 6

A





B



C

D

				Dot.	Name	 All Dim. in mm Orig. Size DIN A 4	HARTING V14 plastic panel feed through housing with Cat.6 10G insert	Maßstab/ Scale 2:1
			Detail.	20/05/11	AB			
			Insp.	20/05/11	JMV			
			Stand.					
36316	13/12/11	AB	HARTING EURL F-95972 Paris				TB 09 35 225 0331	Blatt/ Page 1 / 1
Mod.	Dot.	Name					Sub.	