

THIS DRAWING IS UNPUBLISHED.

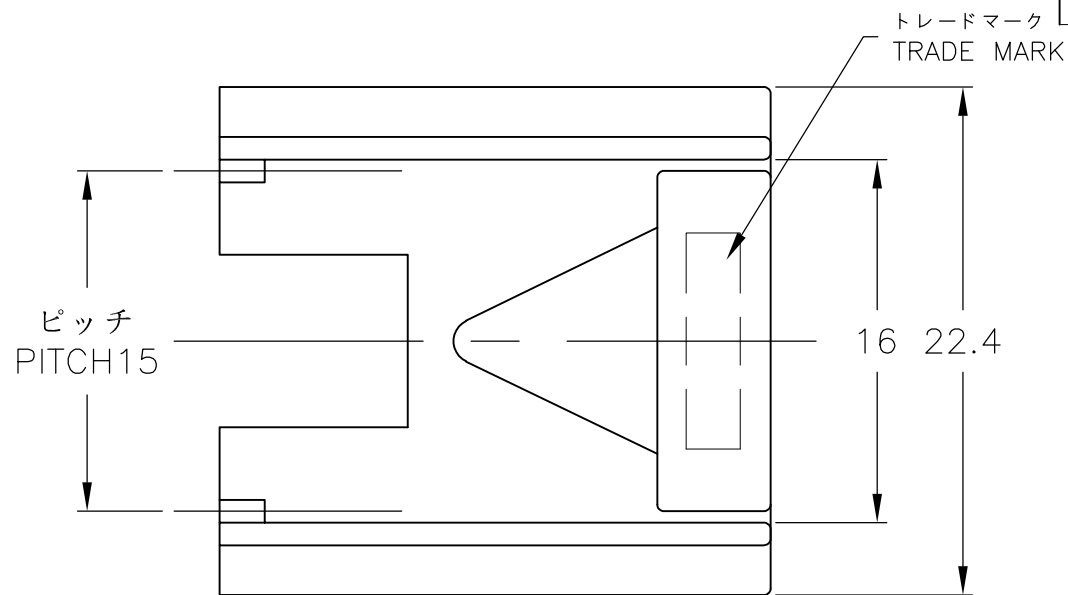
RELEASED FOR PUBLICATION

ALL RIGHTS RESERVED.

© COPYRIGHT - By -

LOC	DIST
J	/

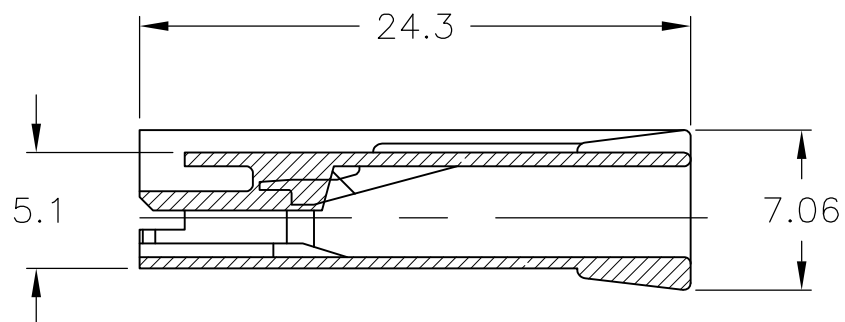
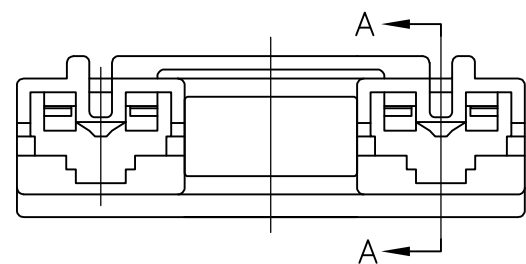
REVISIONS			DATE	DWN	APVD
変更					
P	LTR	DESCRIPTION			
	A1	REVISED PER ECR-15-001853	10FEB'15	H.G	T.D



NOTES

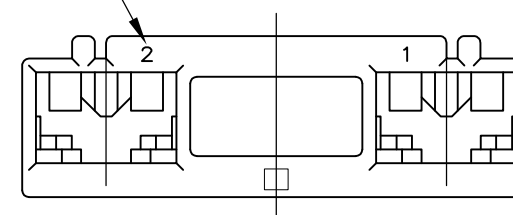
1. APPLICABLE CONTACT PART NUMBER : 170324-X, 170325-X, 170326-X

△ BLUE PARTS MAY APPEAR MEDIUM BLUE TO LIGHT BLUE TO LIGHT GRAY IN COLOR AND MAY ALSO EXHIBIT A MARBLING EFFECT

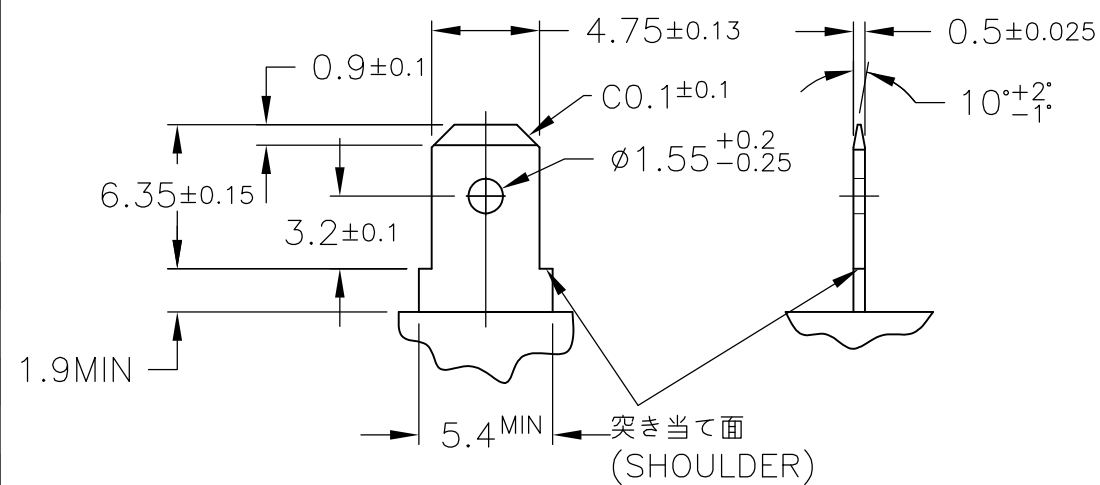


断面 A-A

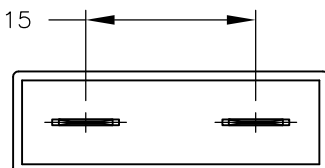
回路番号
CIRCUIT NO.



タブ推奨図
RECOMMENDED TAB



PITCH15±0.15



66NYLON (UL94V-0)	△ BLUE	1-176498-6
66NYLON (UL94V-2)	黄色 (YELLOW)	3-176498-4
66NYLON (UL94V-0)	青色 (BLUE)	176498-6
	黄色 (YELLOW)	176498-4
	黒色 (BLACK)	176498-2
	自然色 (NATURAL)	176498-1
材料 (MATERIAL)	色調 (COLOR)	型番(PART NUMBER)

THIS DRAWING IS A CONTROLLED DOCUMENT.		DWN	J.SATO	07SEP2007	STE TE Connectivity		
DIMENSIONS: 単位: 耗 mm		CHK	S.MANABE	07SEP2007			
TOLERANCES UNLESS OTHERWISE SPECIFIED: 一般公差		APVD	S.MANABE	07SEP2007	NAME 名称		
0 PLC ±		PRODUCT SPEC		187 SERIES POSITIVE LOCK MK-II			
1 PLC 10以下 ± 0.2		製品規格		2P REC HSG			
20 30以下 ± 0.25		108-5126		SIZE	CAGE CODE	DRAWING NO	RESTRICTED TO
30 100以下 ± 0.3		APPLICATION SPEC		A3	00779	C-176498	
4 PLC ANGLES ± 3'		取付適用規格		SCALE 尺度 3:1			
FINISH 仕上		WEIGHT		SHEET 1 OF 1			
MATERIAL 材料 SEE TABLE		CUSTOMER DRAWING		REV A1			