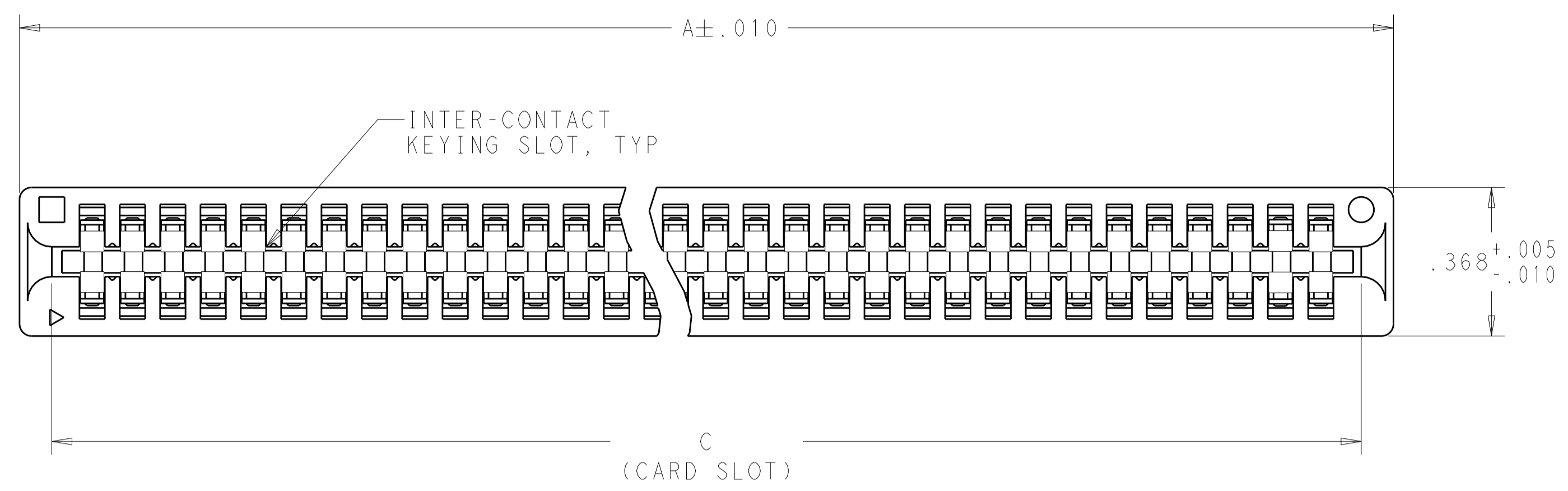
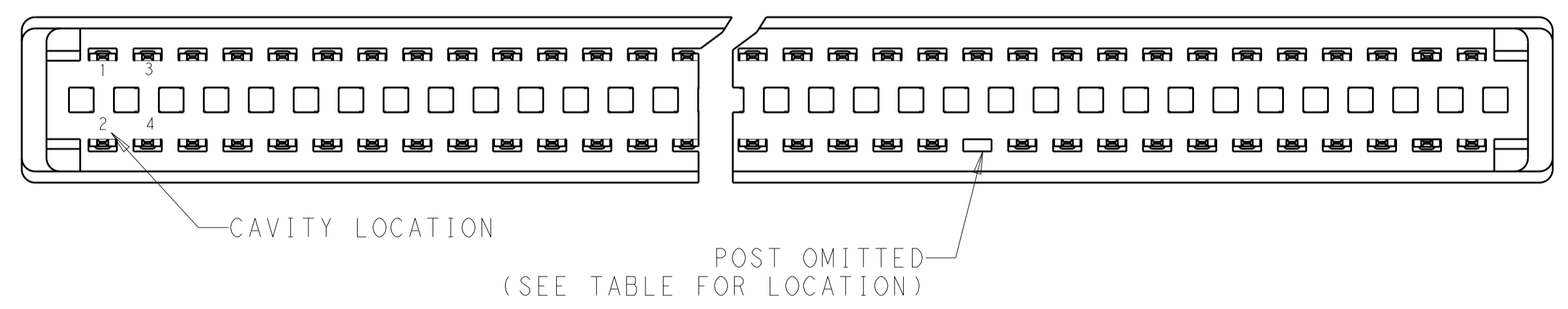
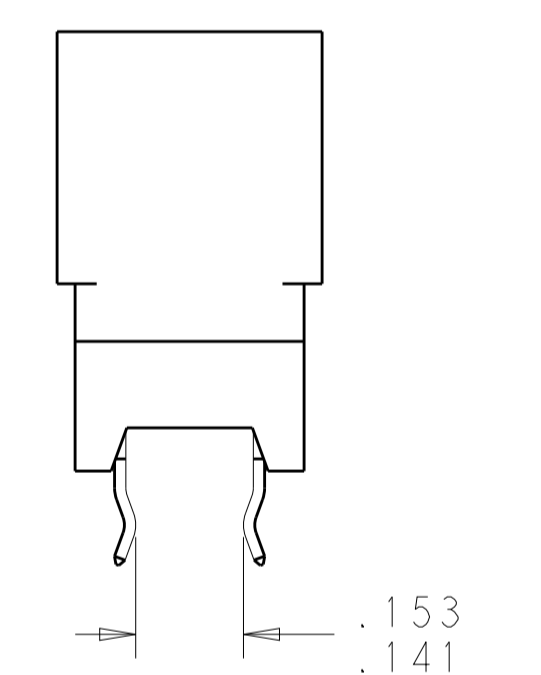
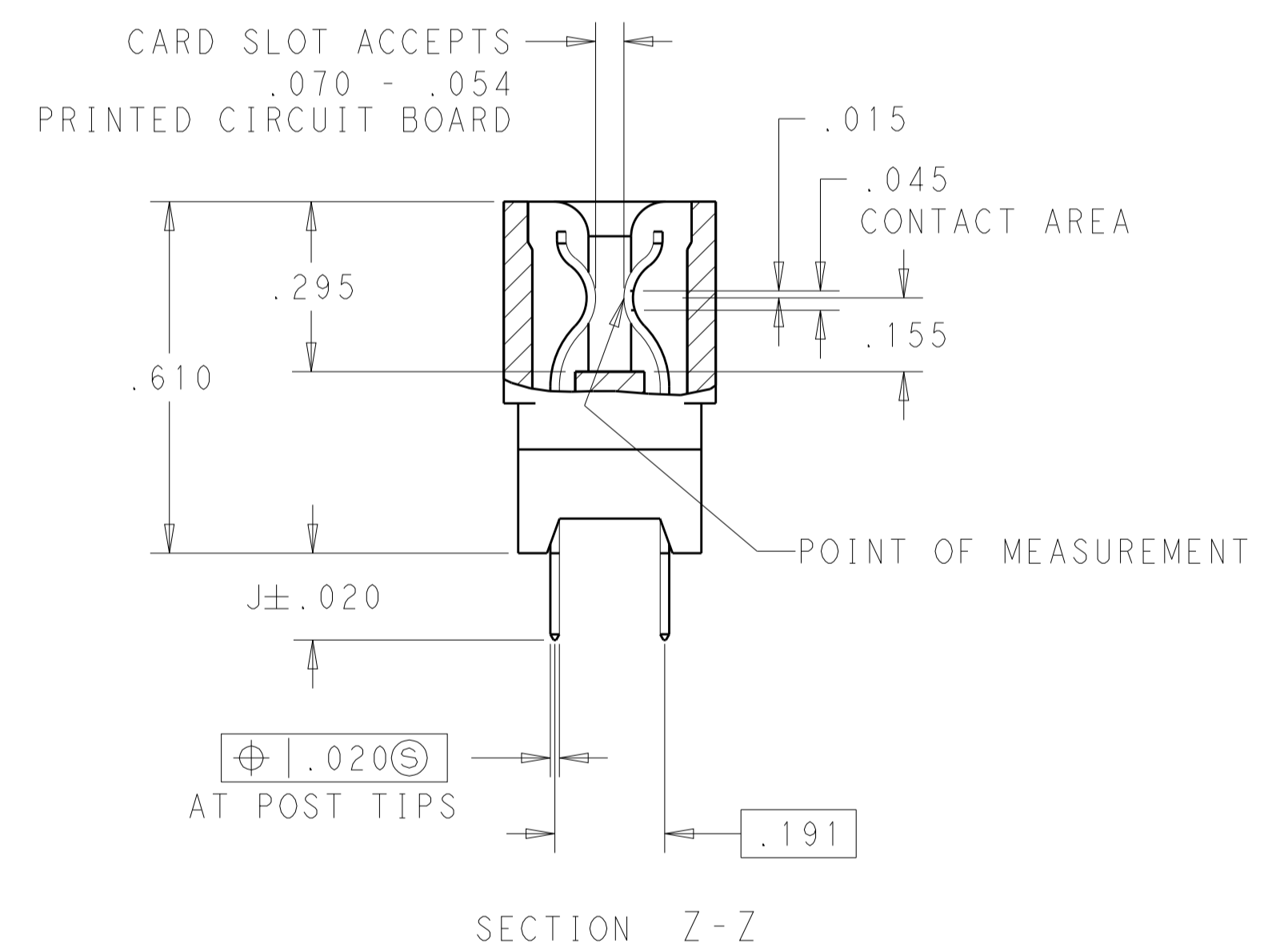
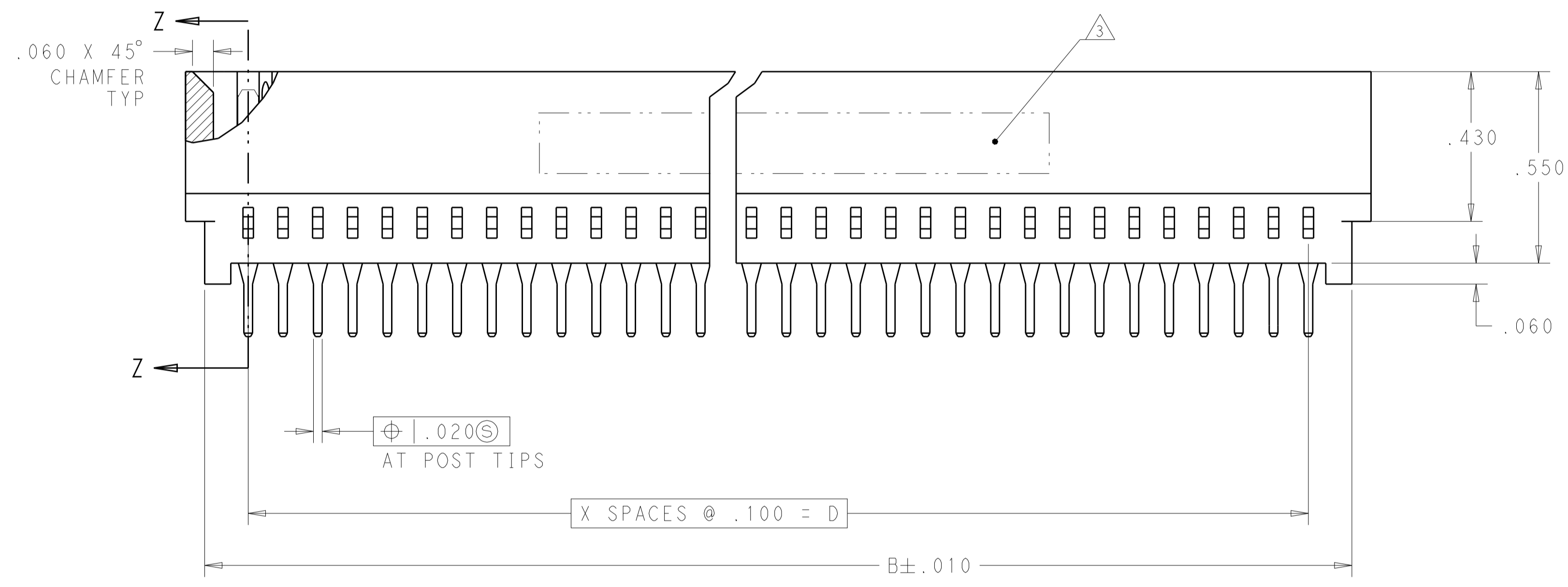


LOC		DIST		REVISONS			
GP	00	P	LTN	DESCRIPTION	DATE	DWN	APVD
		EG	REV PER	ECR-12-013669	02AUG2012	AY	SZ

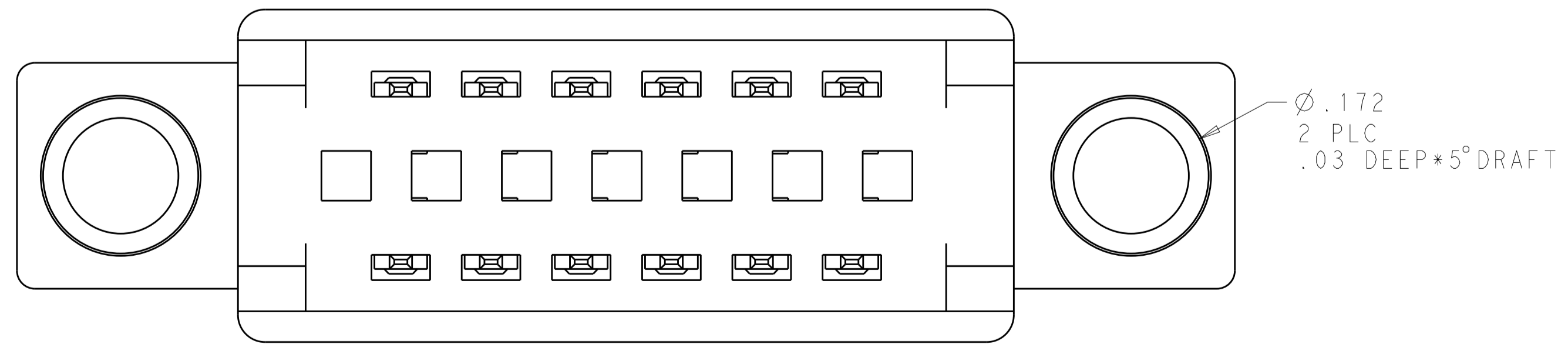
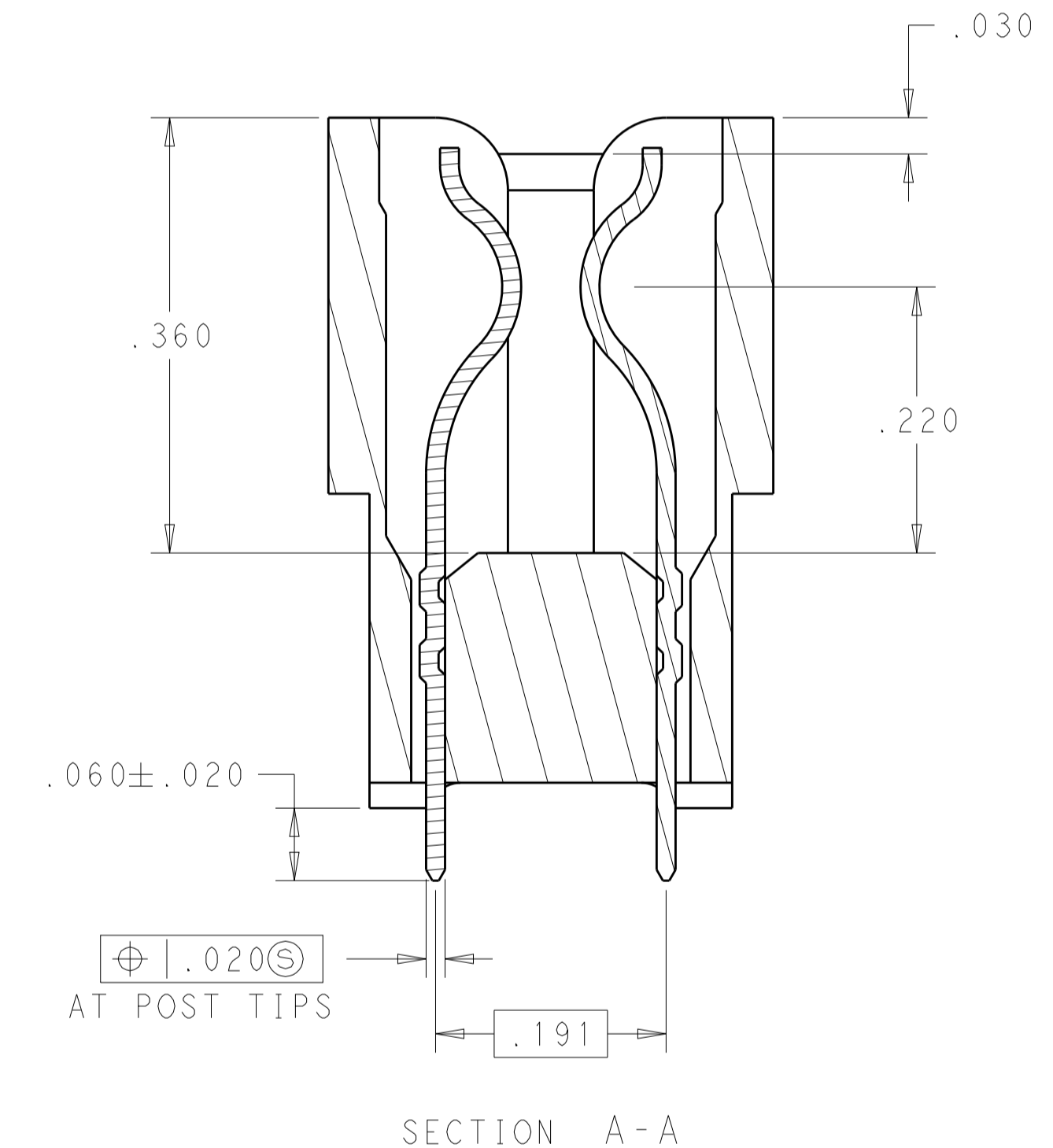
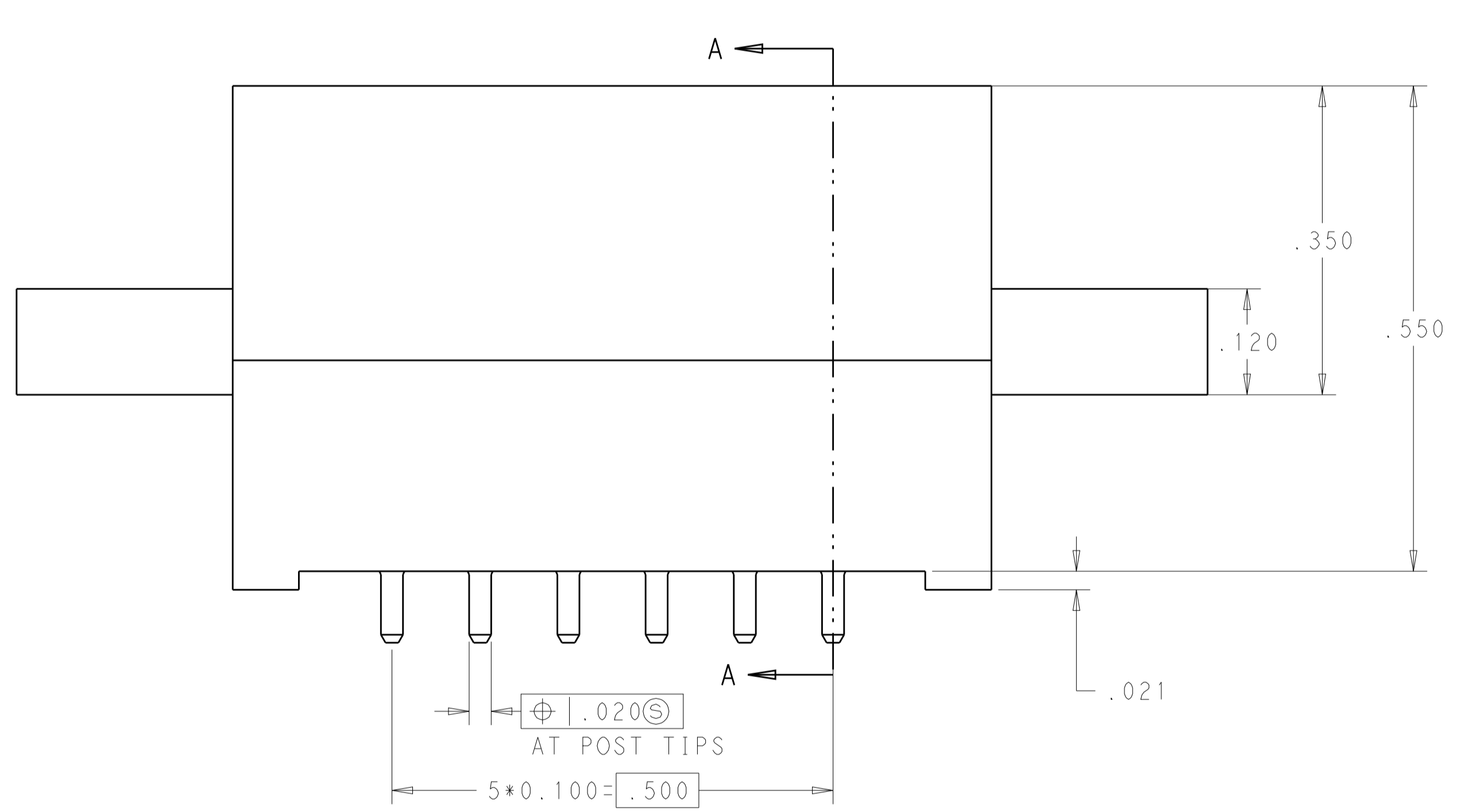
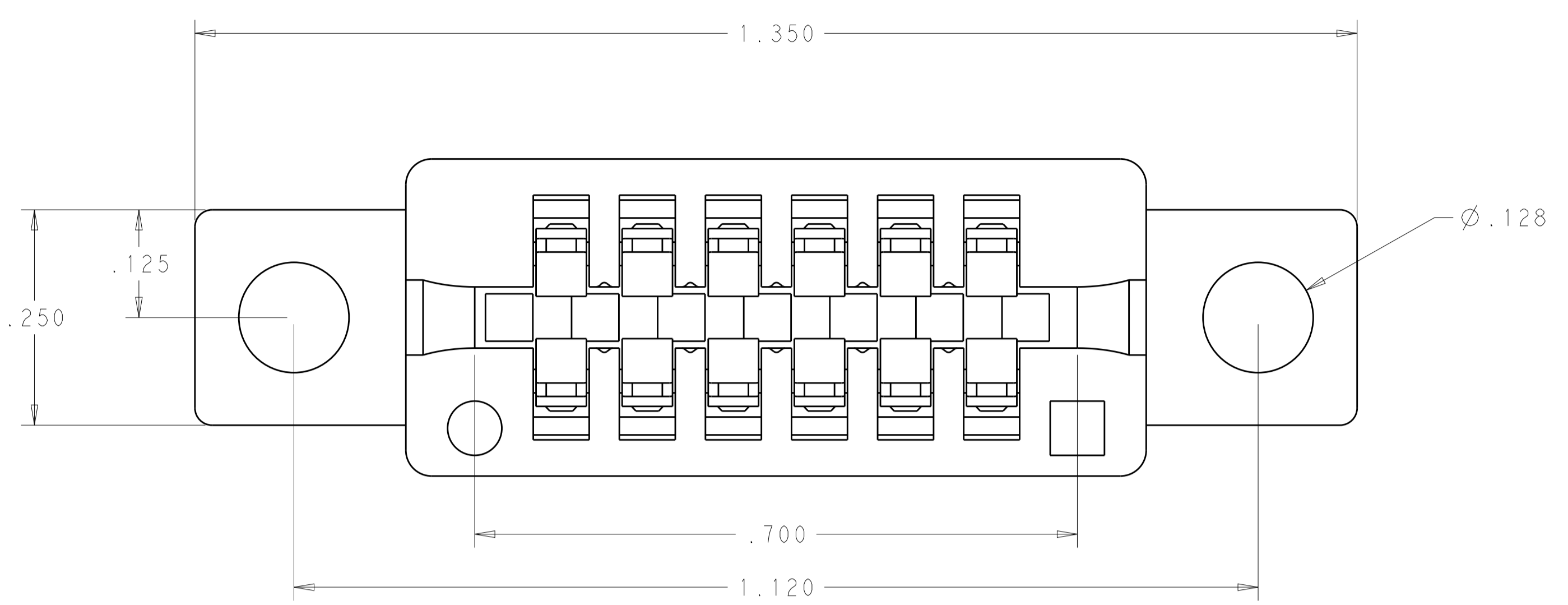


- 1 MATERIAL:  
HOUSING - GLASS FILLED POLYESTER, COLOR BLACK  
CONTACT - PHOSPHOR BRONZE
- 2 FINISH:  
(SEE TABLE FOR GOLD PLATING) IN CONTACT AREA.  
.000100 MIN MATTE TIN ON SOLDER POSTS. ALL OVER  
.000050 MIN THK. NICKEL
- 3 AMP LOGO, TE PART NUMBER, DATE CODE AND CSA LOGO INK  
STAMPED WHITE (HOT STAMPED OR LAZER PRINTED) IN THE  
APPROXIMATE AREA SHOWN, EITHER SIDE PERMISSABLE WHEN  
HOUSING SIZE PERMITS
- 4. RECOMMENDED PCB FINISHED HOLE  $\varnothing .040 \pm .003$
- 5 .000015 MIN
- 6 .000030 MIN
- 7 OBSOLETE PARTS: OBSOLETE CIS STREAMLINING PER D.RENAUD/D.SINISI



THIS DRAWING IS A CONTROLLED DOCUMENT.		DWN AWF/GRZYBOWSKI	30OCT2009	<b>STE</b> TE Connectivity
DIMENSIONS: INCHES		CHK E.HOWARD	APVD M.PERCHEK	
TOLERANCES UNLESS OTHERWISE SPECIFIED:		PRODUCT SPEC	108-9039	NAME CONNECTOR ASSEMBLY STANDARD EDGE II, .100 CENTERLINE
0 PLC $\pm$		APPLICATION SPEC	114-13018	
1 PLC $\pm .005$		WEIGHT	-	SIZE A100779C=5530843
2 PLC $\pm$		CUSTOMER DRAWING	SCALE 4:1	
3 PLC $\pm$		RESTRICTED TO	SHEET 1 OF 4	REV E7
4 PLC $\pm$				
ANGLES $\pm$				
FINISH $\pm$				

LOC	DIST	REVISIONS			
P	LTN	DESCRIPTION	DATE	DWN	APVD
GP	00	SEE SHEET 1	-	-	-



THIS DRAWING IS A CONTROLLED DOCUMENT.		DWN: 30OCT2009 AWF/GRZYBOWSKI	TE Connectivity
DIMENSIONS: INCHES		CHK: E.HOWARD APVD: M.PERCHEK 30OCT2009	
TOLERANCES UNLESS OTHERWISE SPECIFIED:		PRODUCT SPEC: 108-9039	NAME: CONNECTOR ASSEMBLY STANDARD EDGE II, .100 CENTERLINE
0 PLC ± 1 PLC ±.005 2 PLC ± 3 PLC ± 4 PLC ± ANGLES ±2		APPLICATION SPEC: 114-13018	RESTRICTED TO: -
MATERIAL: -	FINISH: -	WEIGHT: -	SIZE: A100779C=5530843
CUSTOMER DRAWING		SCALE: 4:1	SHEET 2 OF 4 REV: E7

LOC	DIST	REVISIONS					
GP	00	P	LTN	DESCRIPTION	DATE	DWN	APVD
-	-	-	-	SEE SHEET 1	-	-	-

OBSOLETE	8-5530843-2
OBSOLETE	8-5530843-1
OBSOLETE	4-5530843-1
OBSOLETE	1-5530843-9
OBSOLETE	1-5530843-2
	PART NUMBER

OMITTED PIN	BOARD RETENTION FEATURE LOCATION (SEE DETAIL Y)	FINISH	Z	J	D	C	B	A	X	NO. OF DUAL POSITIONS	PART NUMBER
		△6	0.686	-	.500	.700	-	-	5	6	8-5530843-6
		△6	1.286	.187	1.100	1.300	1.350	1.460	11	12	8-5530843-5
	19, 20, 21, 22, 23, 24, 27, 28, 31, 32, 35, 36, 39, 40, 43, 44, 45, 46, 47, 48, 51, 52, 55, 56, 59, 60	△6	3.186	.125	3.000	3.200	3.250	3.360	30	31	8-5530843-4
	3, 4, 5, 6, 19, 20, 21, 22	△6	1.286	.125	1.100	1.300	1.350	1.460	11	12	8-5530843-3
	-	△6	.386	.125	.200	.400	.450	.560	2	3	7-5530843-7
	-	△6	.686	.187	.500	.700	.750	.860	5	6	7-5530843-6
	-	△6	.686	.125	.500	.700	.750	.860	5	6	7-5530843-5
	-	△5	3.186	.125	3.000	3.200	3.250	3.360	30	31	7-5530843-0
	-	△6	3.186	.125	3.000	3.200	3.250	3.360	30	31	6-5530843-5
△ OBSOLETE	-	△6	6.086	.125	5.900	6.100	6.150	6.260	59	60	5-5530843-5
	-	△6	2.086	.125	1.900	2.100	2.150	2.260	19	20	5-5530843-4
	-	△6	1.786	.125	1.600	1.800	1.850	1.960	16	17	5-5530843-3
	-	△6	1.086	.125	.900	1.100	1.150	1.260	9	10	5-5530843-0
	-	△5	1.886	.125	1.700	1.900	1.950	2.060	17	18	2-5530843-7
	-	△6	3.586	.125	3.400	3.600	3.650	3.760	34	35	2-5530843-3
	-	△6	5.086	.187	4.900	5.100	5.150	5.260	49	50	2-5530843-2
	-	△6	4.086	.187	3.900	4.100	4.150	4.260	39	40	2-5530843-0
	-	△6	3.086	.187	2.900	3.100	3.150	3.260	29	30	1-5530843-8
	-	△6	2.586	.187	2.400	2.600	2.650	2.760	24	25	1-5530843-6
	-	△6	4.386	.125	4.200	4.400	4.450	4.560	42	43	1-5530843-0
	-	△6	3.686	.125	3.500	3.700	3.750	3.860	35	36	5530843-8
	-	△6	3.086	.125	2.900	3.100	3.150	3.260	29	30	5530843-7
	-	△6	2.886	.125	2.700	2.900	2.950	3.060	27	28	5530843-6
	-	△6	2.586	.125	2.400	2.600	2.650	2.760	24	25	5530843-5
	-	△6	2.286	.125	2.100	2.300	2.350	2.460	21	22	5530843-4
	-	△6	1.886	.125	1.700	1.900	1.950	2.060	17	18	5530843-3
	-	△6	1.586	.125	1.400	1.600	1.650	1.760	14	15	5530843-2
	-	△6	1.286	.125	1.100	1.300	1.350	1.460	11	12	5530843-1

THIS DRAWING IS A CONTROLLED DOCUMENT.

DWN: JAW/GRZYBOWSKI 30OCT2009  
 CHS: E. HOWARD  
 APVD: M. PERCZYNSKI 30OCT2009

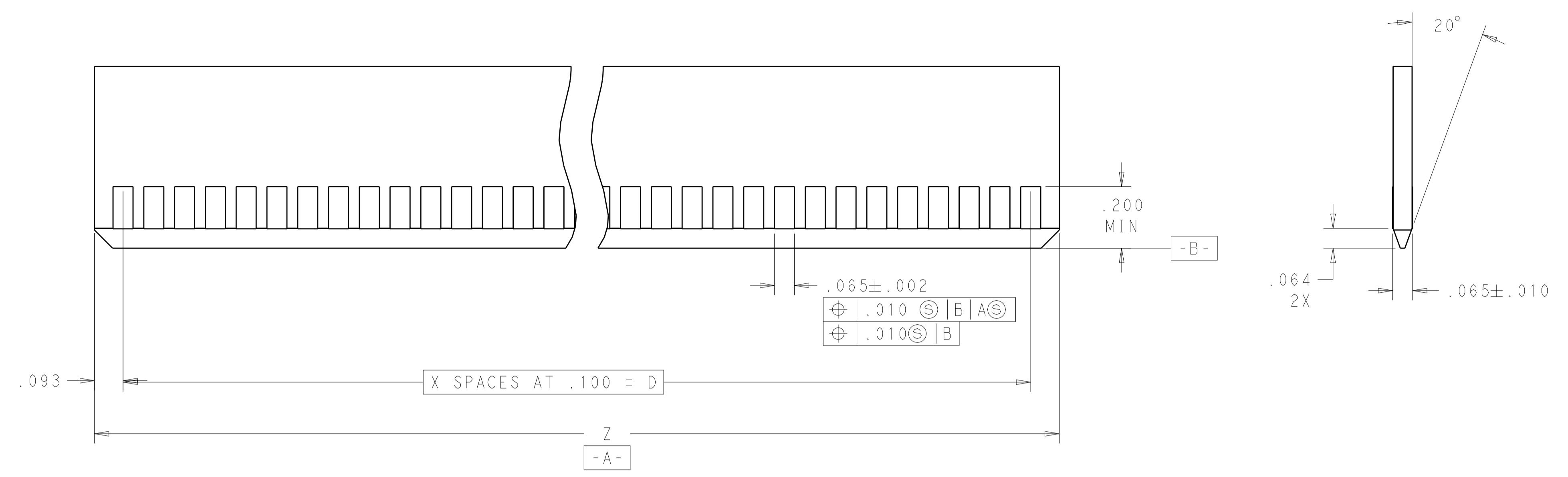
TE Connectivity

CONNECTOR ASSEMBLY  
 STANDARD EDGE II,  
 .100 CENTERLINE

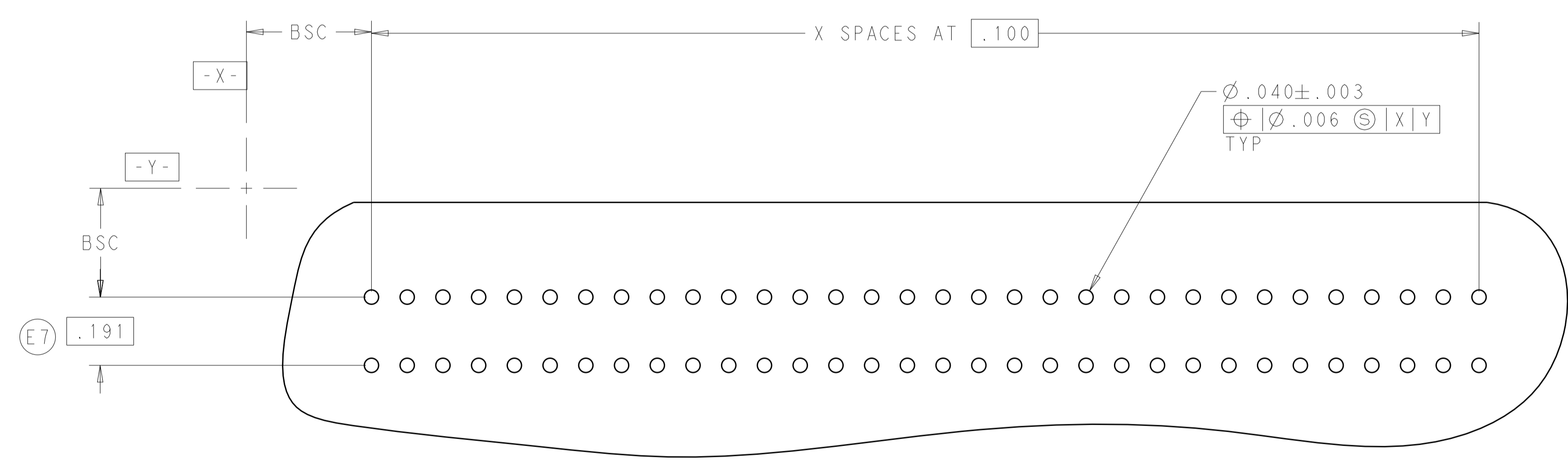
SIZE: A1 CAGE CODE: 5530843 DRAWING NO: 114-13018  
 WEIGHT: -  
 MATERIAL: -  
 FINISH: -

SCALE: 4:1 SHEET 3 OF 4 REV: E7

LOC	DIST	REVISIONS			
P	LTN	DESCRIPTION	DATE	DWN	APVD
-	-	SEE SHEET 1	-	-	-



RECOMMENDED MAIN BOARD EDGE CONFIGURATION



RECOMMENDED PC BOARD HOLE LAYOUT

THIS DRAWING IS A CONTROLLED DOCUMENT.		DWN: AWF/GRZYBOWSKI	30OCT2009	 TE Connectivity
DIMENSIONS: INCHES		CHK: E. HOWARD	APVD: M. PERCHER	
TOLERANCES UNLESS OTHERWISE SPECIFIED:		0 PLC $\pm .005$ 1 PLC $\pm .005$ 2 PLC $\pm .005$ 3 PLC $\pm .005$ 4 PLC $\pm .005$ ANGLES $\pm .02$		NAME: CONNECTOR ASSEMBLY STANDARD EDGE II, .100 CENTERLINE
MATERIAL: -		PRODUCT SPEC: 108-9039 APPLICATION SPEC: 114-13018 WEIGHT: -		SIZE: A100779 CAGE CODE: C=5530843
FINISH: -		CUSTOMER DRAWING		RESTRICTED TO: - SCALE: 4:1 SHEET 4 OF 4 REV: E7