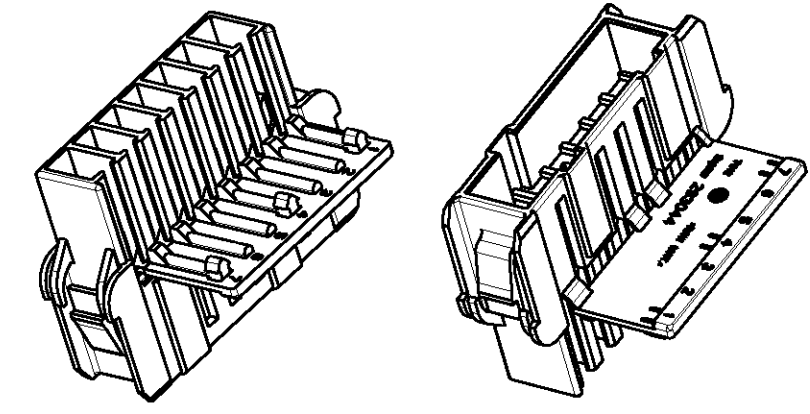
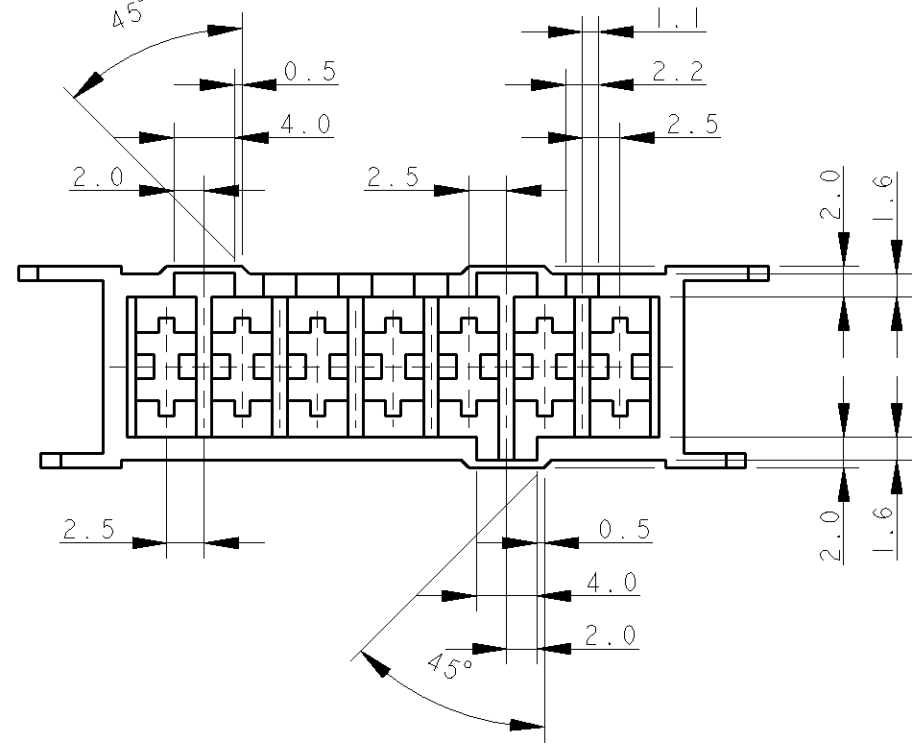


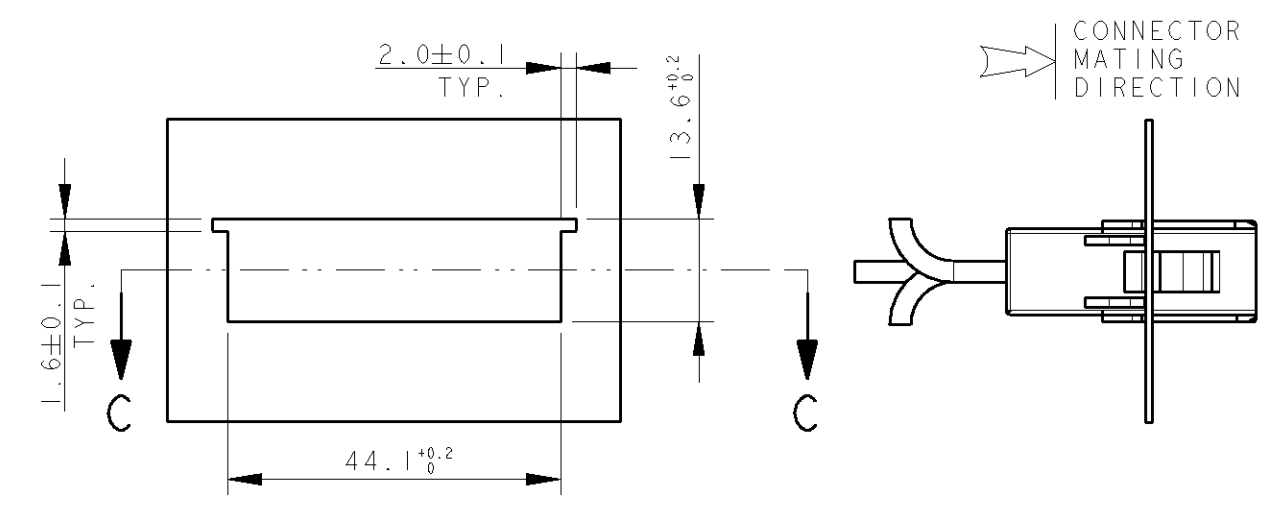
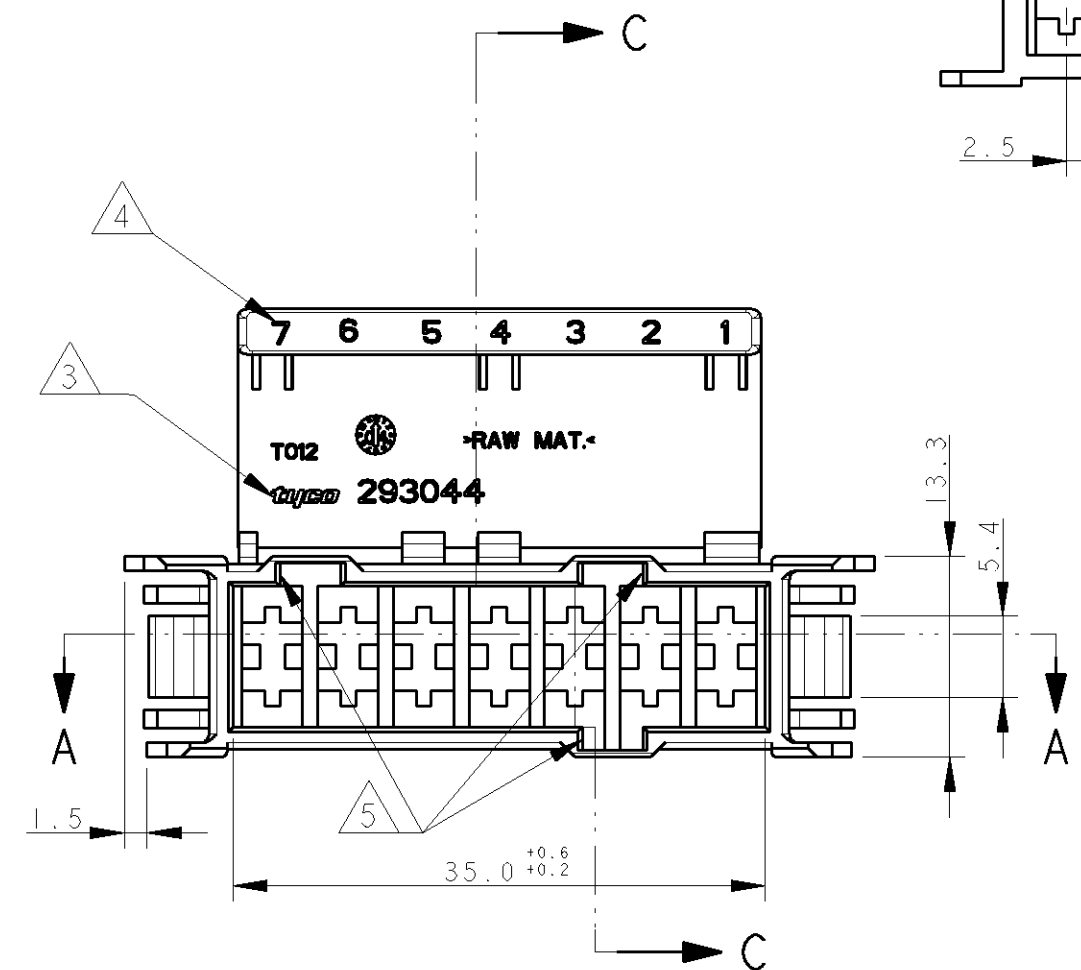
THIS DRAWING IS UNPUBLISHED. RELEASED FOR PUBLICATION 2003  
 © COPYRIGHT 2003 BY TYCO ELECTRONICS CORPORATION. ALL RIGHTS RESERVED.

LOC	DIST	REVISIONS			
P	LTR	DESCRIPTION	DATE	DWN	APVD
0		FIRST EMISSION	20 JAN 2005	H. Y.	G. T.
A		RELEASED FOR ECR-05-003685	24 JUN 2005	H. Y.	G. T.

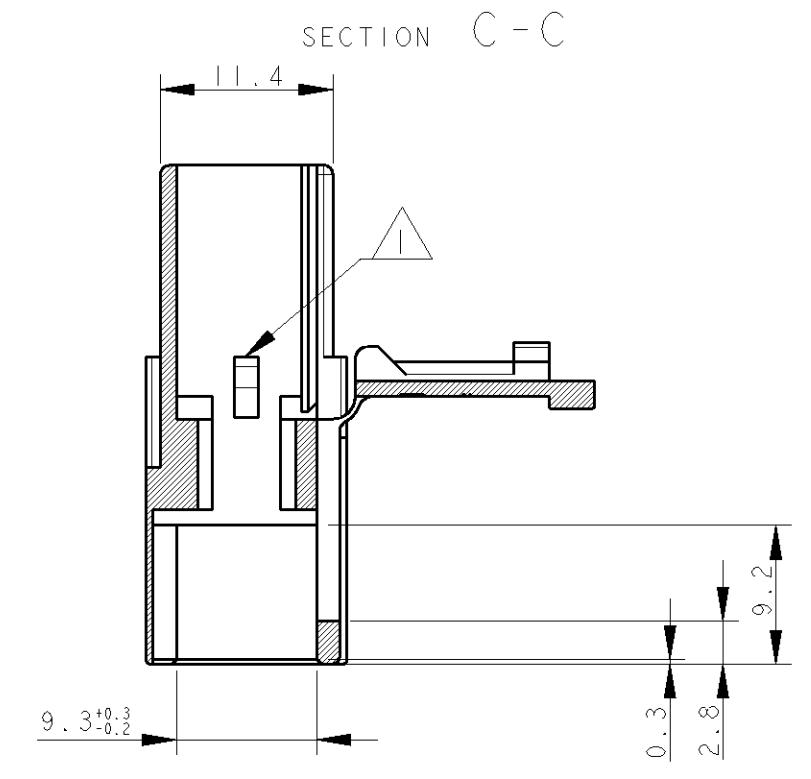
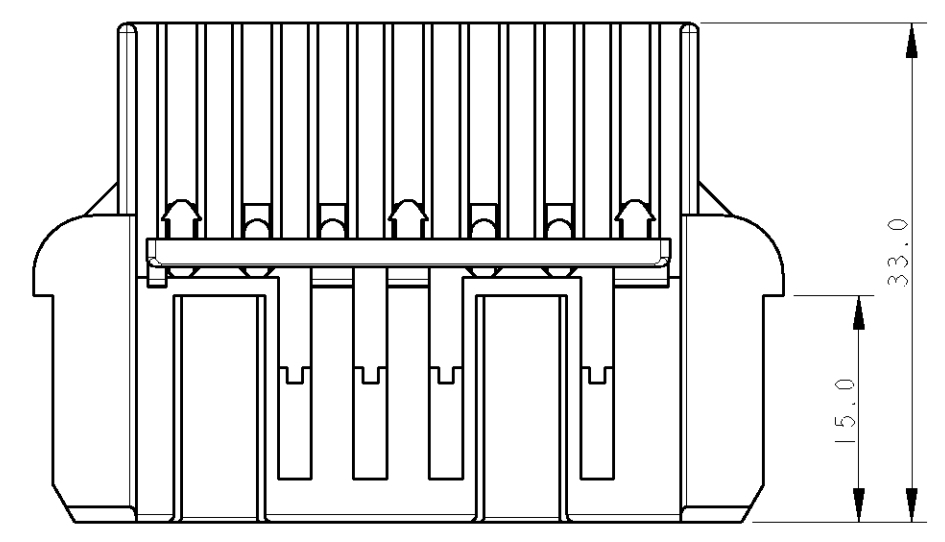
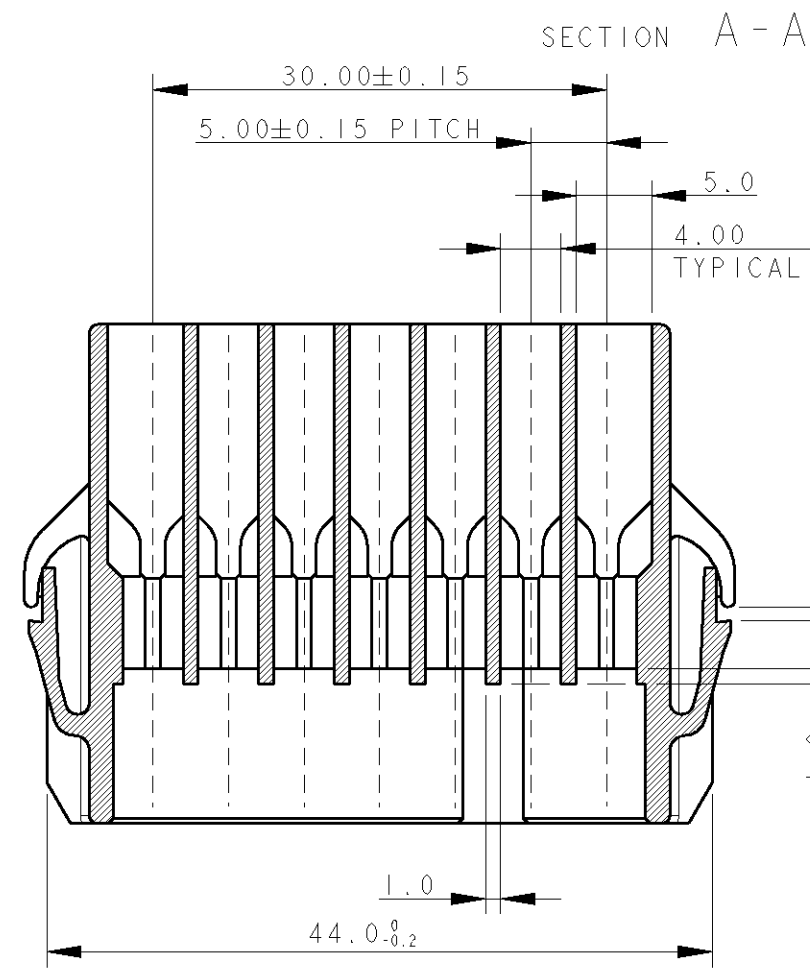
### POLARIZATION KEYS SCHEME



SCALE 1:1



SECTION C-C



- 1 TYPICAL CAVITY SUITABLE FOR:  
FASTIN-FASTON TAB CONTACTS 6.3 mm SRS:  
P/N: 60294, 0.3-0.8 mm<sup>2</sup> WIRE RANGE  
160691, 0.3-0.8 mm<sup>2</sup> WIRE RANGE  
AMPLIVAR CONTACTS:  
P/N: 141051, 0.1-0.5 mm<sup>2</sup> WIRE RANGE  
142411, 0.3-1.6 mm<sup>2</sup> WIRE RANGE  
MAX. INSULATION DIA. 2.8 mm.  
MAX. INSULATION CRIMP WIDTH 3.3 mm.
- 2 PA6 UNFILLED, NATURE COLOUR  
ACCORDING TO IEC 60335-1 NORM.
- 3 TYCO TRADEMARK "LOGO" AND  
TYCO ELECTRONICS "PART NUMBER"  
OPTIONAL POSITION.
- 4 CIRCUIT IDENTIFICATION NUMBERS, 1 TO 7
- 5 POLARIZATION KEYS
- 6 PACKAGED ACCORDING TO TYCO SPEC. 107-20248.

NATURALE (NATUR)	VEDI NOTA 2 (SEE NOTE 2)	293044-1	A
COLORE (COLOUR)	MATERIALE (MATERIAL)	NUMERO (TYCO P/N)	REV

THIS DRAWING IS A CONTROLLED DOCUMENT FOR TYCO ELECTRONICS CORPORATION IT IS SUBJECT TO CHANGE AND THE CONTROLLING ENGINEERING ORGANIZATION SHOULD BE CONTACTED FOR THE LATEST REVISION.		DWN 20 JAN 2005 H. YAALI	tyco Electronics AMP Italia S.p.A. C.so F. Cervi, 15 COLLEGGNO (TO)	
DIMENSIONS: mm		CHK G. TURCO	NAME 7 POS. FASTIN-FASTON Connector TAB HOUSING, RAST 5 0.8-1.0 MM THK. PANEL MOUNT VERSION	
TOLERANCES UNLESS OTHERWISE SPECIFIED: 0 PLC ± 1 PLC ±0.3 2 PLC ± 3 PLC ± 4 PLC ± ANGLES ±°		APVD -	PRODUCT SPEC 108-20256	RESTRICTED TO -
MATERIAL SEE TABLE		FINISH -	APPLICATION SPEC -	SIZE A2
		WEIGHT 9.0 GR	CAGE CODE 00779	DRAWING NO. C-293044
		CUSTOMER DRAWING	SCALE 2:1	SHEET 1 OF 1 REV A