

THIS DRAWING IS UNPUBLISHED.

RELEASED FOR PUBLICATION

20

© COPYRIGHT 20 BY -

ALL RIGHTS RESERVED.

LOC X53

DIST -

REVISIONS

P	LTR	DESCRIPTION	DATE	DWN	APVD
	A	ECO-10-017557	10JAN2012	EC	EC

MINIMUM INSERTION LOSS, 50Ω LINE AND LOAD IMPEDANCES

LINE TO GROUND (COMMON MODE)							LINE TO LINE (DIFFERENTIAL MODE)						
CURRENT RATING	FREQUENCY, MHz						CURRENT RATING	FREQUENCY, MHz					
	.15	.5	1	3	10	30		.15	.5	1	3	10	30
3 AMP	50	60	60	49	40	30	3 AMP	25	60	60	53	45	40
6 AMP	34	58	58	47	37	30	6 AMP	9	50	62	54	46	40
10 AMP	6	35	45	45	38	30	10 AMP	10	20	59	54	48	40

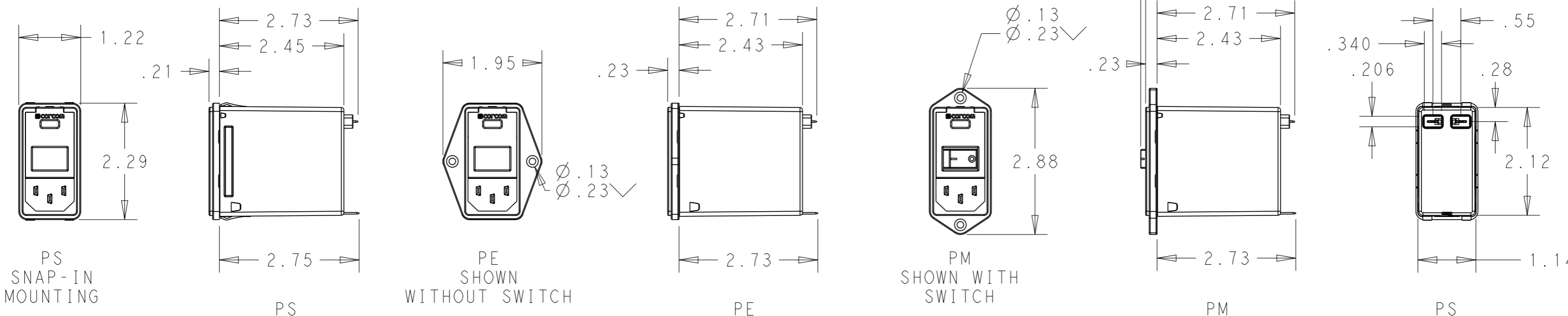


SCHEMATIC

PANEL CUT-OUT



FOR PS VERSIONS THE SHORT EDGES MUST HAVE R.02 ON INSERTION SIDE.  
 \* FOR PANEL THICKNESS 0.031-0.079 USE 2.201  
 FOR PANEL THICKNESS 0.083-0.114 USE 2.213.



PS SNAP-IN MOUNTING

PS

PE SHOWN WITHOUT SWITCH

PE

PM SHOWN WITH SWITCH

PM

PS

PART NUMBER SYSTEM



MOUNTING STYLE  
 S = SEE ABOVE  
 E = SEE ABOVE  
 M = SEE ABOVE

CURRENT  
 3 = 3 AMP  
 6 = 6 AMP  
 X = 10 AMP


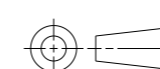
SWITCH OPTIONS  
 0 = NONE  
 S = DOUBLE POLE, SINGLE THROW

PSOS0SM6E EXAMPLE:  
 SNAP-IN MOUNTING  
 WITH SWITCH  
 SINGLE FUSING  
 6 AMP  
 0'S ARE ZEROS.

FUSE LOCATIONS  
 D = DUAL FUSING  
 S = SINGLE FUSING  
 INCLUDES CONVERSION CLIP

HIPOT RATING (ONE MINUTE)  
 LINE TO GROUND: 1500 VAC  
 LINE TO LINE: 1450 VDC  
 OPERATING FREQUENCY: 50/60 Hz  
 RATED VOLTAGE: 120/250 VAC  
 FUSING: ACCEPTS 3AG Ø 1/4" X 1-1/4"  
 OR METRIC Ø 5 mm X 20 mm  
 OPERATING AMBIENT TEMP: -10°C TO 40°C  
 STORAGE TEMPERATURE: -40°C TO 85°C

MAX LEAKAGE CURRENT .25mA @ 120V 60Hz  
 PER LINE TO GROUND: .50mA @ 250V 60Hz  
 HUMIDITY: 21 DAYS, 40°C @ 95%RH  
 CURRENT OVERLOAD: 6X RATED FOR 8 SEC  
 SWITCH: 10K CYCLES @ 51 AMP INRUSH  
 TERMINALS: 0.187" X .032 FASTON TABS  
 SAFETY AGENCIES: UL RECOGNIZED,  
 CSA CERTIFIED,  
 VDE APPROVED.

THIS DRAWING IS A CONTROLLED DOCUMENT.		DWN EC 20DEC2011	 TE Connectivity			
		CHK - 20DEC2011				
DIMENSIONS: INCHES		APVD EC 20DEC2011	NAME			
		PRODUCT SPEC -	MEDIUM P SERIES SWITCHED, FUSED, 2-STAGE FILTERED INLET			
TOLERANCES UNLESS OTHERWISE SPECIFIED:		APPLICATION SPEC -	SIZE	CAGE CODE	DRAWING NO	RESTRICTED TO
0 PLC ±.2	1 PLC ±.1	WEIGHT -	A3	00779	©-MEDIUM-P-SERIES	-
2 PLC ±.02	3 PLC ±.005	CUSTOMER DRAWING				
4 PLC ±.0005	ANGLES ±1	SCALE 1:2	SHEET 1 OF 1	REV A		
MATERIAL -	FINISH -					