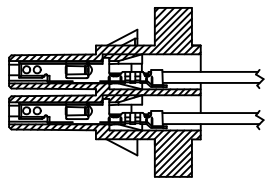


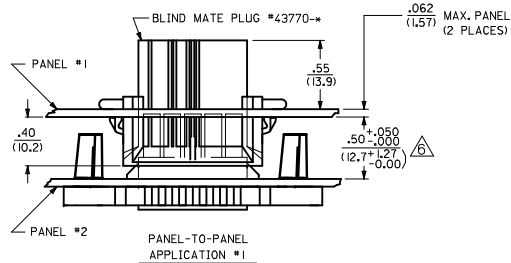
NOTES:

1. MATERIAL:
NYLON, 94V-2, COLOR: NATURAL (WHITE).
2. FINISH: NONE
3. PRODUCT SPECIFICATION: PS-43759-0001
4. PACKAGING SPECIFICATION: PK-40873-0134
5. PART MATES WITH MINI-FIT B.M.I. HEADER #43759, 45567 OR 43693, AND BMI PLUG # 43770.
- △ A MAXIMUM TOLERANCE OF .050/(.127) ALLOWS FOR 2 POINTS OF ELECTRICAL CONTACT. A MAXIMUM TOLERANCE OF .020/(.51) ALLOWS FOR 4 POINTS OF CONTACT.
7. THIS CONNECTOR ALLOWS FOR .050/(.127) MAX. MISALIGNMENT IN ANY DIRECTION.
8. CONNECTOR ASSEMBLIES ARE NOT TO BE MATED OR UNMATED WHILE CIRCUITS ARE LIVE.
9. THIS PART IS INTENDED FOR ONE PANEL INSERTION ONLY. REMOVAL AND RE-INSERTION CAN DAMAGE THE MOUNTING SPIRALS.
10. PANEL SHOULD BE PUNCHED IN THE DIRECTION OF CONNECTOR INSERTION.
11. BOTH SPIRALS SHOULD BE INSERTED INTO THE PANEL AT THE SAME TIME. ROCKING THE PART INTO PLACE MAY CAUSE SPIRAL DAMAGE.
12. IF THIS PRODUCT IS STORED IN AN ENVIRONMENT WITH A RELATIVE HUMIDITY OF LESS THAN 50%, MOISTURE MUST BE ADDED. REFER TO TECHNICAL ADVISORY AS-45499-002 FOR INSTRUCTIONS.
13. PART IS FOR USE WITH 5556 OR 44476 SERIES TERMINALS.
14. THIS DIMENSION TO BE USED FOR ALIGNMENT OF THE MATING CONNECTOR.
15. PART MAY OR MAY NOT HAVE OPTIONAL RIBS.
16. THIS PART IS NOT INTENDED TO PROVIDE ANY ALIGNMENT OF CUSTOMER COMPONENTS OR MODULES, SUCH AS POWER SUPPLIES AND CHASSIS.
17. WIRES ARE TO BE DRESSED IN SUCH A MANNER TO ALLOW THE TERMINALS TO FLOAT FREELY IN THE POCKET.
18. THIS PART CONFORMS TO CLASS B REQUIREMENTS OF COSMETIC SPECIFICATION PS-45499-002.

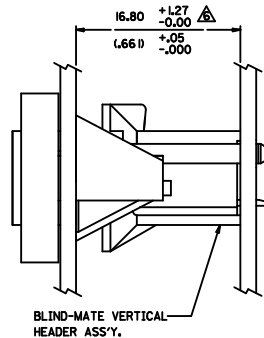
UPDATE HSG NOTE EEC NO: UCP2012-2787 DRAWN BY: DORNINGWEN CHKD: BELL APPROVED: FSMITH DATE: 2012/02/24 DATE: 2012/02/24 DATE: 2012/05/04	QUALITY SYMBOLS	GENERAL TOLERANCES (UNLESS SPECIFIED)	DIMENSION STYLE	SCALE	DESIGN UNITS	THIRD ANGLE PROJECTION
	▽=0	4 PLACES ± .015	MM/IN	4:1	METRIC	
	▽=0	3 PLACES ± .038				
	▽=0	2 PLACES ± .075				
		1 PLACE ± .150				
		ANGULAR ±1/2°				
		DRAFT WHERE APPLICABLE MUST REMAIN WITHIN DIMENSIONS				
			MATERIAL NO.	DOCUMENT NO.	TITLE	
			43760-0001	SD-43760-001	PANEL-MOUNT RECEPTACLE 36-CIRCUIT BLIND MATE MINI-FIT SERIES	
					MOLEX INCORPORATED	
					SHEET NO. 1 OF 2	
					THIS DRAWING CONTAINS INFORMATION THAT IS PROPRIETARY TO MOLEX INCORPORATED AND SHOULD NOT BE USED WITHOUT WRITTEN PERMISSION	



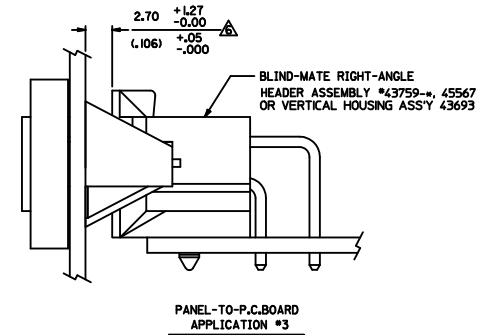
SECTION "Z-Z"
TERMINAL ORIENTATION



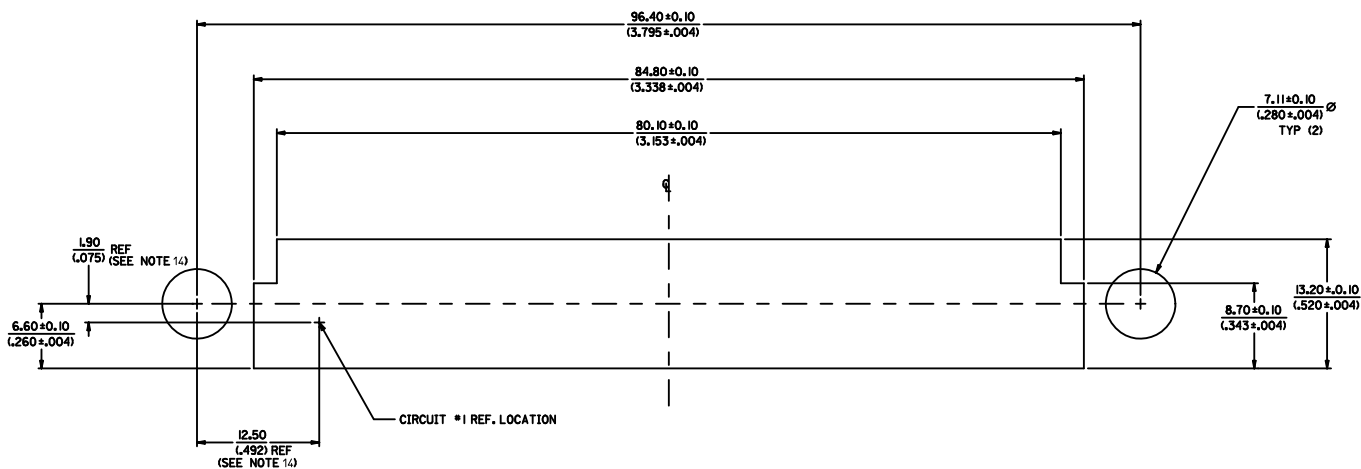
PANEL-TO-PANEL
APPLICATION #1



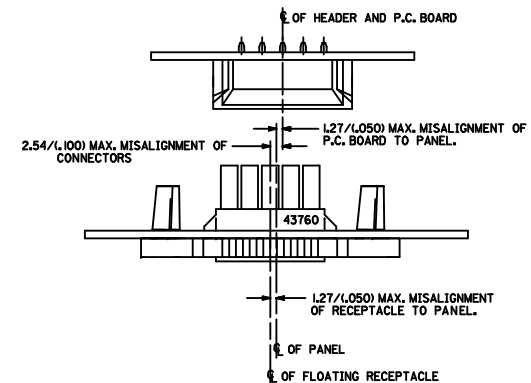
PANEL-TO-P.C.BOARD
APPLICATION #2



PANEL-TO-P.C.BOARD
APPLICATION #3



RECOMMENDED PANEL CUT-OUT FOR L27+0.30/L050+0.012 THICK PANEL



ALIGNMENT TOLERANCES FOR L27/L050 MAX. BOARD-TO-PANEL MISALIGNMENT (±L27/L050) RECEPTACLE FLOAT

SEE SHEET 1 IEC NO. UCP2012-2787 DRAWN BY: DRWINNANWEN 2012/02/24 CHECKED BY: CHYD-BELL 2012/02/24 APPROVED BY: FSMITH 2012/05/04 D1 REV DESCRIPTION	QUALITY SYMBOLS ∇=0 ∇=0 ∇=0		GENERAL TOLERANCES (UNLESS SPECIFIED) mm INCH 4 PLACES ± --- ± --- 3 PLACES ± --- ± .015 2 PLACES ± 0.38 ± --- 1 PLACE ± --- ± --- ANGULAR ±1/2°		DIMENSION STYLE MM/IN		SCALE 4:1	DESIGN UNITS METRIC	THIRD ANGLE PROJECTION
	DRAFT WHERE APPLICABLE MUST REMAIN WITHIN DIMENSIONS		DRAWN BY: MAN LAPAZ DATE: 06/18/97 CHECKED BY: MBANDURA DATE: 06/18/97 APPROVED BY: FSMITH DATE: 2012/05/04		MATERIAL NO. 43760-0001		DOCUMENT NO. SD-43760-001		
	SIZE D		THIS DRAWING CONTAINS INFORMATION THAT IS PROPRIETARY TO MOLEX INCORPORATED AND SHOULD NOT BE USED WITHOUT WRITTEN PERMISSION		MOLEX INCORPORATED		SHEET NO. 2 OF 2		
	MOLEX INCORPORATED								