

# SSV66A-34N Series Drum level switches

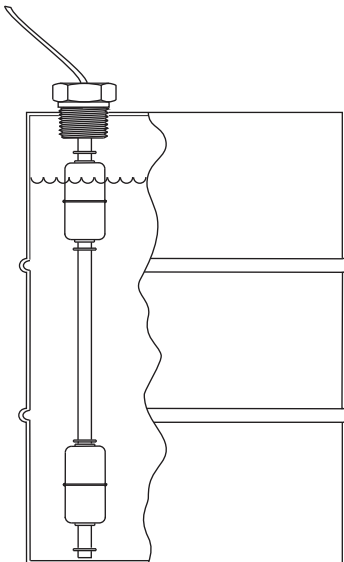


SSV66 series float switches are designed to offer High, Low or High & Low level monitoring for 45 gallon drums or similar height tanks.

These switches can be fitted from the outside of the drum, through the 3/4" NPT bung hole, or via a 3/4" NPT boss on a tank.

High level indication is at 24mm from the lower end of the mounting thread. Low level indication is at 813mm from the lower end of the mounting thread.

Switching actions can be changed by removing the respective float, inverting it and the refitting to the stem tube.



- 45 Gallon drum high/low levels
- External mount (3/4" NPT)
- Flying lead or 4 pin M12 connection
- High level 24mm, High level 84mm, Low level 813mm or High & Low levels
- Stainless steel 316L

### Technical Specification

Mounting style	External	Cable length - standard	100cm/M12 Plug
Mounting thread	3/4" NPT	Cable size	17/0.10 - AWG22
Float & Stem material	316grade SS	Cable conductor material	Tinned copper
Maximum Temperature	120°C	Cable sheath material	Silicone
Maximum pressure	30 bar	Cable temperature rating	125°C
Float SG	0.84	Sealing gasket	Not supplied
Minimum fluid SG	0.85	Tightening torque for fixing nut	2.0kg/cm

### Electrical Specification

Contact Form		N/O (N/C)
Switching Power Max	VA	50
Switching Voltage AC Max	V	300
Switching Voltage DC Max	V	300
Switching Current Max	A	0.5

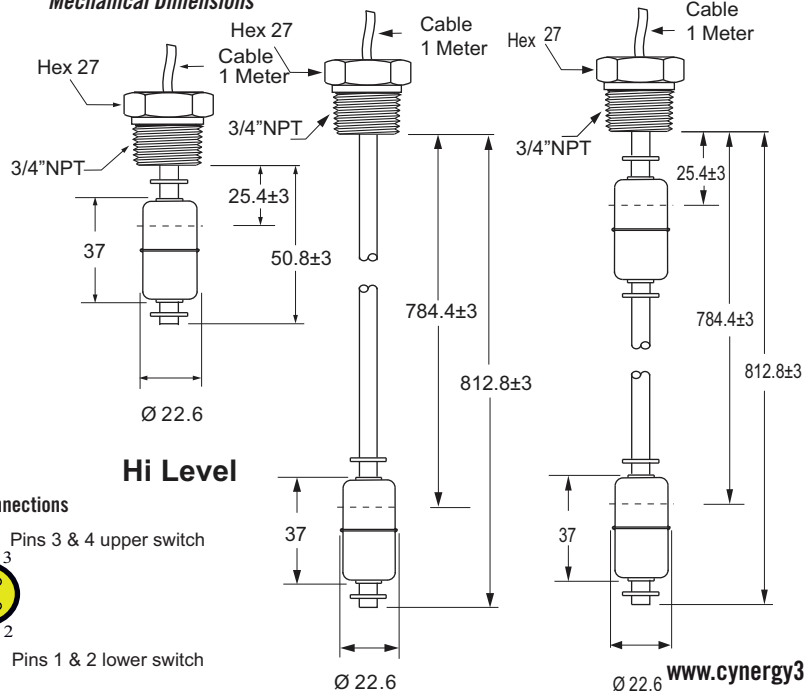
All ratings are for resistive load only.

### Standard Parts

Standard Parts	Material	Levels	Max Power	Leadouts
SSV66A24E34N183	SS 316L	24mm	50VA	100cm Silicone 17/0.1
SSV66A24E34NP	SS 316L	24mm	50VA	M12 Connector
SSV66A84E34NP	SS 316L	84mm	50VA	M12 Connector
SSV66A813E34N183	SS 316L	813mm	50VA	100cm Silicone 17/0.1
SSV66A813E34NP	SS 316L	813mm	50VA	M12 Connector
SSV66A24A813E34N183	SS 316L	24 & 813mm	50VA	100cm Silicone 17/0.1
SSV66A24A813E34NP	SS 316L	24 & 813mm	50VA	M12 Connector

Custom versions can be made for particular applications. Please contact Cynergy3 with your requirements.

### Mechanical Dimensions



Cynergy3 Components Ltd.  
7 Cobham Road  
Ferndown Industrial Estate  
Wimborne, Dorset BH21 7PE  
Telephone +44 (0) 1202 897969

Email: sales@cynergy3.com

ISO9001 CERTIFIED

SSV66A-34N 2015

© 2011 Cynergy3 Components, All Rights Reserved. Specifications are subject to change without prior notice. Cynergy3 Components and the Cynergy3 Components logo are trademarks of Cynergy3 Components Limited.

www.cynergy3.com