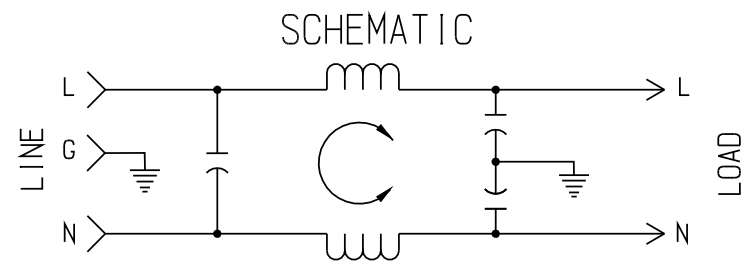


REVISION HISTORY			
REV	DESCRIPTION	DATE & CHGD BY	APPROVED
-	RELEASED	03-12-09 LAW	CJD



50 Ω INSERTION LOSS

COMMON MODE		DIFFERENTIAL MODE	
MHz	min. I.L. (dB)	MHz	min. I.L. (dB)
.01		.01	
.03		.03	
.05		.05	
.15	18	.15	8
0.5	24	0.5	18
1.0	30	1.0	24
5.0	45	5.0	46
10	45	10	50
20	50	20	40
30	50	30	40

TEST SPECIFICATIONS

HI-POT (2 sec.)

L/G 1500 VAC

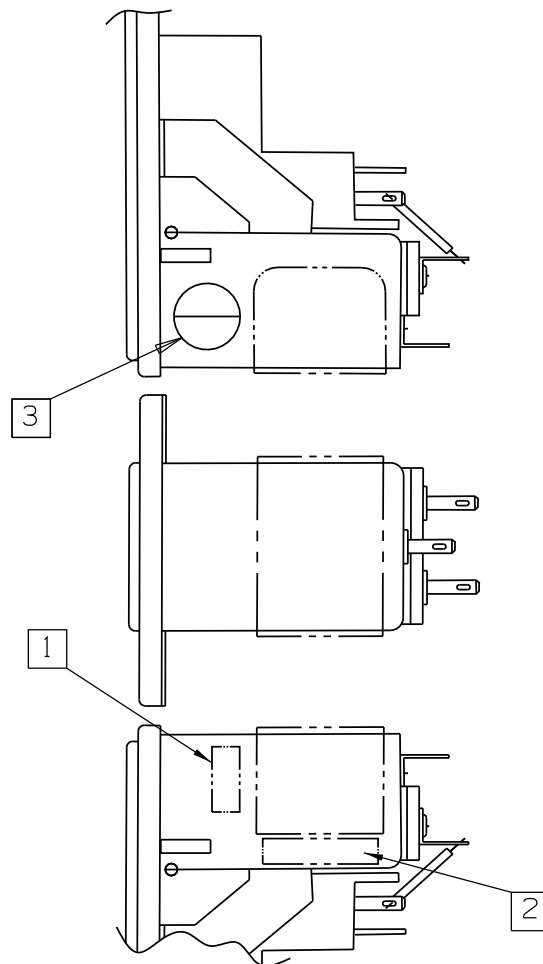
L/L 1768 VDC

RATED VOLTAGE: 250 VAC MAXIMUM
 RATED CURRENT: at 115 VAC 3 A MAXIMUM
 at 250 VAC 3 A MAXIMUM

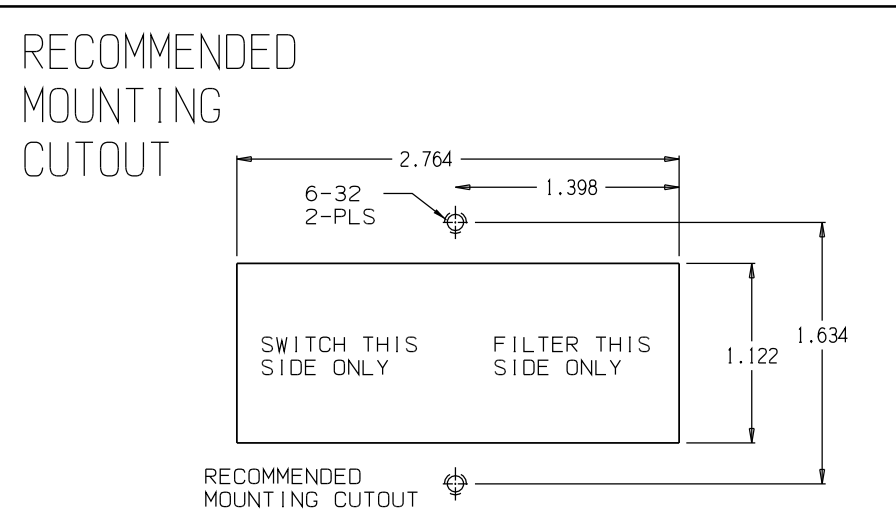
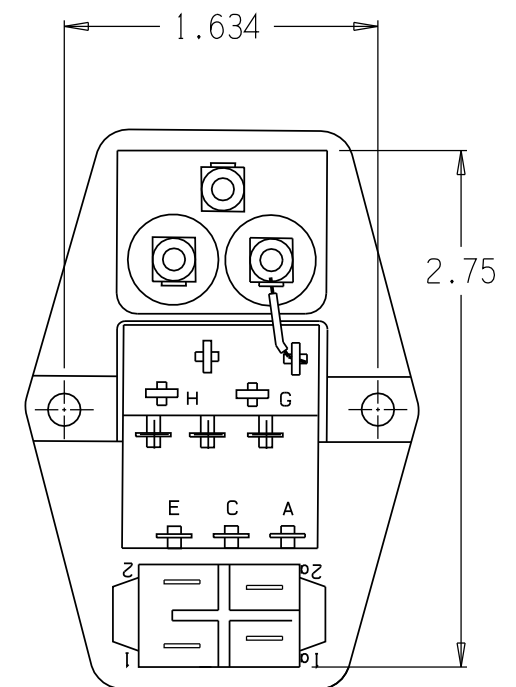
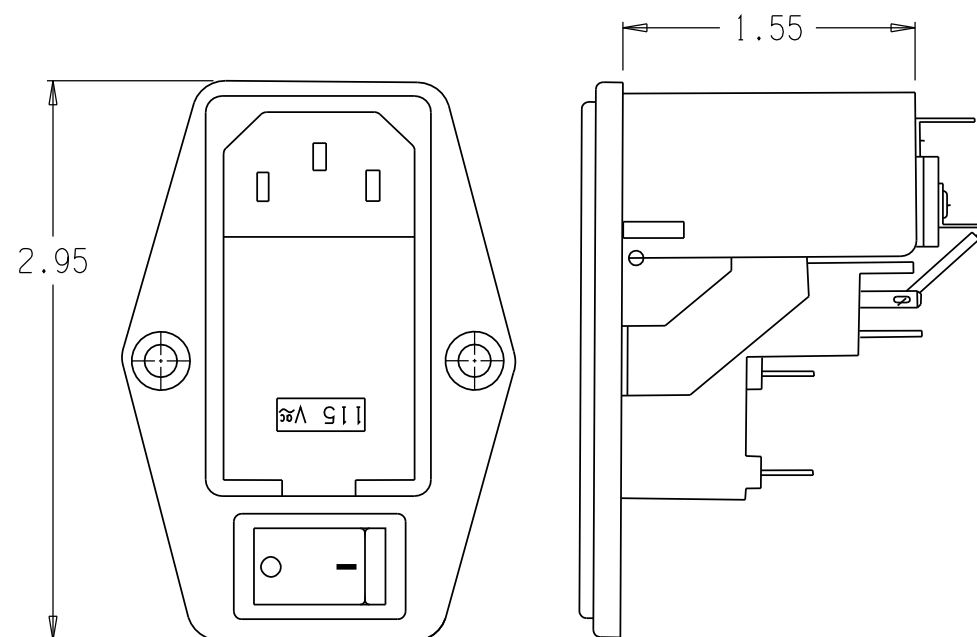
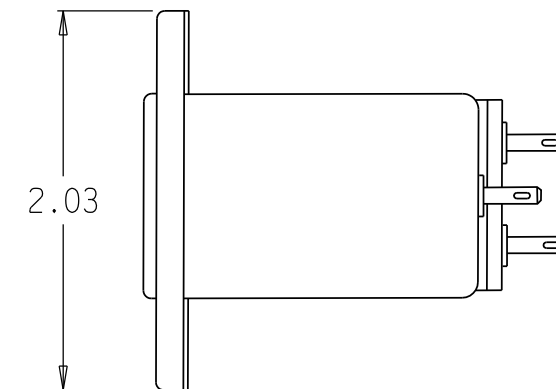
LINE FREQUENCY 50/60 Hz
 INSULATION RESISTANCE 9000 MEGOHMS MINIMUM at 100VDC
 LEAKAGE CURRENT at 115 VAC, 60Hz .25 mA MAXIMUM
 at 250 VAC, 50Hz .40 mA MAXIMUM

ENVIRONMENTAL SPECIFICATIONS

AMBIENT TEMPERATURE RANGE 0 deg.C to 40 deg.C
 (OPERATING AT RATED CURRENT)
 HUMIDITY RANGE 0 % to 95 % R.H.



1. DATE CODE TO BE STAMPED IN THIS AREA
2. BUILDER TO PRINT MOTHER P/N ON CAN
3. STAMP ASSEMBLY LOCATION CODE HERE.



CONFIDENTIAL-PROPRIETARY TO CURTIS INDUSTRIES. NOT TO BE SHARED WITH THIRD PARTY WITHOUT WRITTEN PERMISSION FROM CURTIS INDUSTRIES

CAD FILENAME: FPE963203 Rev- B.prt	
PREVIOUS P/N: NONE	
SPECIAL INSTRUCTIONS N/A	UNLESS OTHERWISE SPECIFIED DIMENSIONS ARE IN INCHES. TOLERANCES ARE: DECIMALS .XX±.03 ANGLES ±0°30' .XXX±.010
FINISH N/A	
MATERIAL N/A	

Curtis Industries 2400 South 43rd Street Milwaukee, WI 53219
 A Div. of Powers Holdings, Inc. Phone: (414) 649-4200

TITLE POWER ENTRY FILTER SPECIFICATION

SCALE 1:1	DRAWN LAW	CHECKED C.J.DEBRAAL	DATE 03-12-09
SIZE B	SHT. 1 OF 1	DWG NO. FPE963203	REV. -