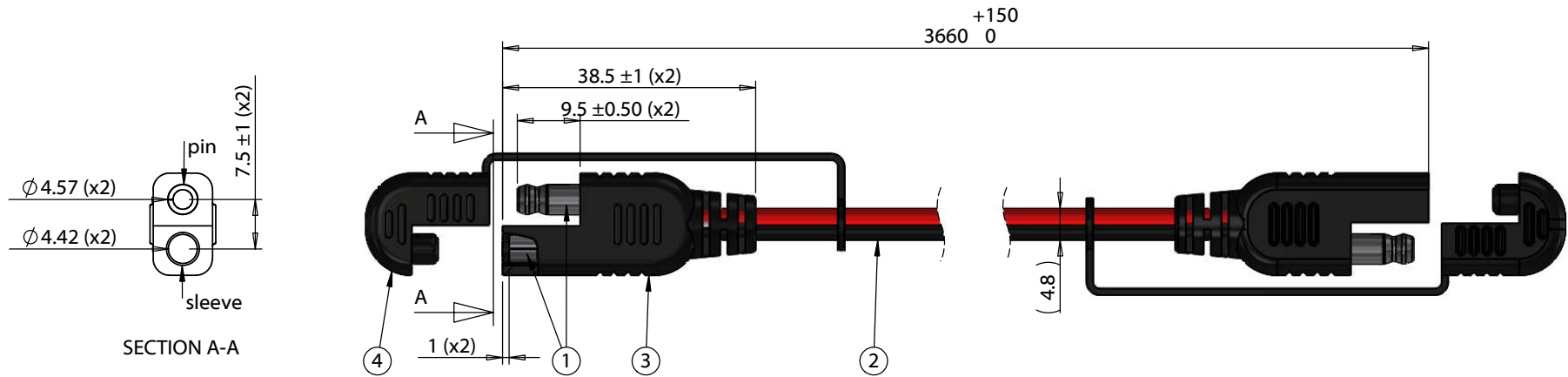



ITEM NO.	PART NUMBER	DESCRIPTION	QTY.	COMPONENT NOTES
1	50-00550	Connector, 4.75x10.2mm SAE, brass nickel plated, molding type	2	
2	30-00792	Wire, 2C TS, 16 AWG, UL2651, 300V, 105C, 4.8 mm, VW-1, PVC, red and black	1	
3	24-00176	Overmold, SAE connector, PVC, black	2	black, 105 °C
4	55-00059	Dust cap, SAE connector, overmold fit	2	black, 105 °C



Notes:
Functionally equivalent components may be substituted

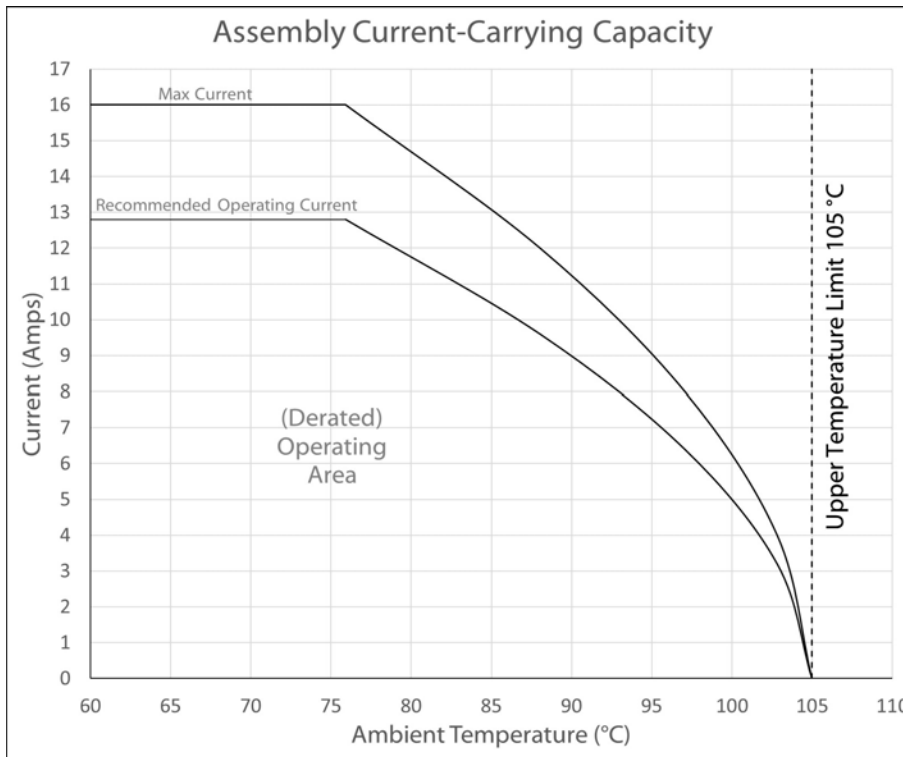
Wiring Diagram		
50-00550	wire color	50-00550
pin	red (+)	sleeve
sleeve	black (-)	pin

Revision:	Date:	Description:	Prepared:	Notes: RoHS and REACH compliant	<h1>TENSILITY</h1> <p>tel 1.541.323.3228 800 877.670.7118 fax 1.541.323.4202 web tensility.com</p>
A	1/16/2017	Initial release	Verified:		
			Dimensions are in millimeters. Tolerances: X: ± 0.5 mm X.X: ± 0.3 mm X.XX: ± 0.05 mm	Description: Cable, 3660 mm, 50-00550 SAE to 50-00550 SAE, 16 AWG, UL2651, 30-00792, R-B wire, caps	Size: A
					Part number: 10-02413
					Scale: 1:1
					
					Sheet 1 of 2


Electrical Requirements

Operating Voltage: 48 Vdc

Max Current: 16 A



Testing based on IEC 60512-5-2. Max current curve generated with isolated test article under controlled environmental conditions, and does not take into account external factors such as housings or circuitry. Recommended operating current curve (derated to 80% of max values) accounts for external factors, manufacturing variation, and error in temperature measurements.

Revision:	Date:	Description:	Prepared:	Notes: RoHS and REACH compliant	TENSILITY tel 1.541.323.3228 800 877.670.7118 fax 1.541.323.4202 web tensility.com
A	1/16/2017	Initial release	Verified:		
			Dimensions are in millimeters. Tolerances: X: ± 0.5 mm X.X: ± 0.3 mm X.XX: ± 0.05 mm	Description:	Size: Part number:
				Cable, 3660 mm, 50-00550 SAE to 50-00550 SAE, 16 AWG, UL2651, 30-00792, R-B wire, caps	A 10-02413
				Scale: 1:1	Scale: 1:1  Sheet 2 of 2